

MATERIAL: SEE B/M
 DRAWN: TFK
 CHECKED: DEP
 SCALE: NONE
 DATE: 9/15/95

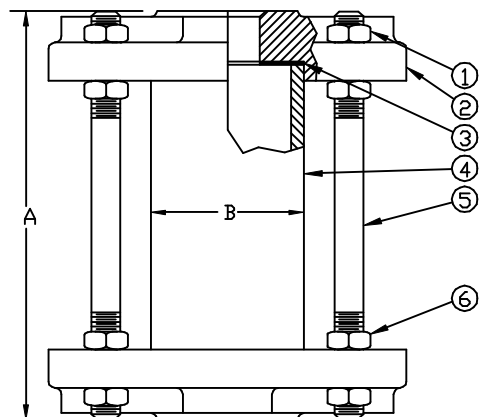
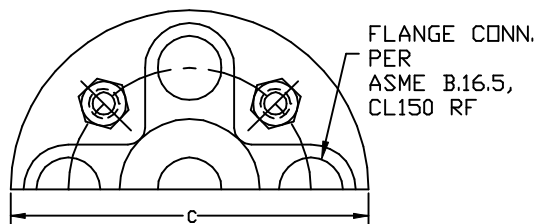


SIGHT FLOW INDICATOR
 STYLE 830-F, 830-FD

Section: T400
 Bulletin: T400.36
 Date: 09/01/93
 Supersedes: 12/01/90

VARIOUS PRESSURES

FILE NO.: T400-36.DWG



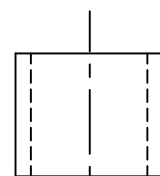
STYLE 830-F

PARTS LIST

PIECE NO.	NAME OF PART	QUAN.	MATERIAL	COMMENTS
1	NUTS	8	STEEL	
2	HEAD	2	SEE BELOW	
3	SEAL GASKET	2		
4	CYLINDER	1	A-BORO	
5	RODS	4	STEEL	
6	NUTS	8	STEEL	
7	INDICATOR	1		

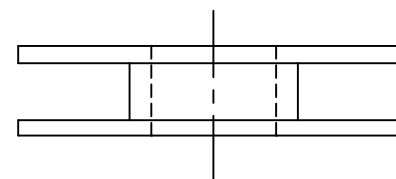
THIS DRAWING AND ALL INFORMATION ON IT IS THE PROPERTY OF JACOBY-TARBOX, DIVISION OF THE CLARK-RELiance CORPORATION. IT IS CONFIDENTIAL AND IS GIVEN TO YOU FOR A LIMITED PURPOSE AND MUST BE RETURNED UPON REQUEST. NEITHER THIS DRAWING NOR ANY PART OF IT NOR ANY INFORMATION CONCERNING IT MAY BE COPIED, EXHIBITED OR FURNISHED TO OTHERS NOR MAY PHOTOGRAPHS BE TAKEN OF ANY ARTICLE FABRICATED OR ASSEMBLED FROM THIS DRAWING WITHOUT CONSENT OF THE CLARK-RELiance CORPORATION.

STANDARD OPTIONS:



⑦ DRIP TUBE

STYLE 830-FD (STD.)
 STYLE 830-FD-TFE (TFE LINED DRIP)*
 * ADD 3/8 (IN) TO "A" DIM



PTFE LINING

STYLE 830-F-TFE (PLAIN)
 ADD 1/4 (IN) TO "A" DIM

STANDARD DESIGN MATERIALS:

- ODY: ASTM A216-WCB/A516 GR 70/A36/A576 (CARBON STEEL)
- ASTM A351-CF8M/A240/A276 (316 SS)
- ASTM B62 (BRONZE)
- ASTM A126 CLASS B (CAST IRON)

FASTENERS: STEEL
 DRIP TUBE: 316 SS/PTFE

OPTIONAL ALLOYS FURNISHED UPON REQUEST

OPTIONAL FEATURES:

SPECIAL LENGTHS UP TO 48 INCHES AVAILABLE ("A" DIM)
 PRESSURE RATINGS DECREASE WITH ADDITIONAL LENGTH
 MODEL: 830-FL, 830-FL-TFE

SPECIAL ETCHED TUBES (VOLUME/LENGTH) PER APPLICATION
 304/316 SS TRIM AVAILABLE

PSI	SIZE		DIMENSIONS							
	IN	DN	A		B		C		WEIGHT	
			IN	mm	IN	mm	IN	mm	LBS	KGS
150	1/2	15	3-7/8	98	1-1/4	32	3-1/2	89	3-1/2	1.6
150	3/4	20	3-7/8	98	1-1/2	32	3-7/8	98	4	1.8
150	1	25	4	102	1-3/4	44	4-1/4	108	5	2.3
120	1-1/2	40	4	102	2-1/2	64	5	127	6	2.7
100	2	50	4-3/4	121	3	76	6	152	11-1/2	5.2
85	2-1/2	65	5-3/8	137	3-1/2	89	7	178	15	6.8
100	3	80	5-3/8	137	4	102	7-1/2	191	19	8.6
70	4	100	7-1/2	191	5	127	9	227	22	10.0
45	6	150	10-1/4	260	7	178	11	279	56	25.4
25	8	200	14	356	9-1/8	232	13-1/2	343	68	30.8
15	10	250	14-1/8	359	11	279	16	406	87	39.4
15	12	300	14-1/4	362	13	330	19	483	131	59.4