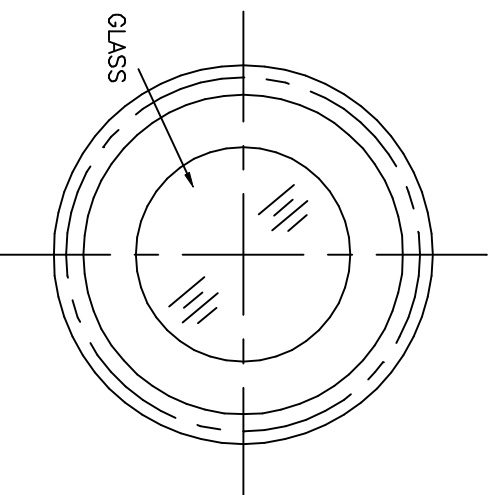
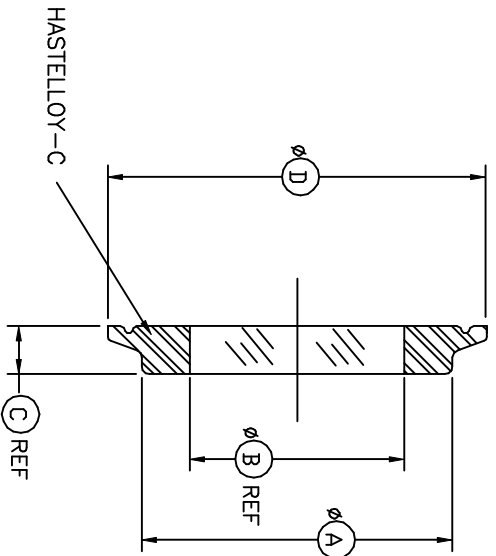


UNI-SAN® 6500  
CLAMP CONN'G'S

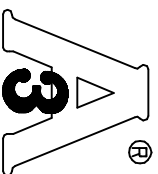
Section: T400  
Bulletin: T400.31  
Date: 02/26/03  
Supersedes: 02/21/03

DRAWN: TFK DATE: 9/15/95 SCALE: NONE FILE: T400-31.DWG

THIS DRAWING AND ALL INFORMATION ON IT IS THE PROPERTY OF JACOBY-TARBOX, DIVISION OF THE CLARK-RELANCE CORPORATION AND IS LOANED TO YOU FOR A LIMITED PURPOSE ONLY. IT IS NOT TO BE REPRODUCED OR TRANSMITTED IN ANY FORM OR BY ANY MEANS, NOR ANY INFORMATION CONCERNING IT MAY BE COPIED, EXHIBITED OR FURNISHED TO OTHERS, NOR MAY PHOTOGRAPHS BE TAKEN OF ANY ARTICLE FABRICATED OR ASSEMBLED FROM THIS DRAWING WITHOUT CONSENT OF THE CLARK-RELANCE CORPORATION.



USDA DAIRY ACCEPTED



PRESSURE/TEMP. RATINGS	
TEMP F	150 PSIG MODELS ALL MATERIALS
-320 TO 100	150
150	150
200	150
250	150
300	150
350	150
400	150
450	150

DIMENSIONS ARE IN INCHES

SIZE*	A	B	C	D
1 & 1 1/2	1.600	.9	.75	1.984
2	2.000	1.2	.75	2.515
2 1/2	2.500	1.5	.75	3.047
3	3.000	2.0	.75	3.579
4	4.000	3.0	.75	4.682

\* SIZES ARE STANDARD TUBE O.D.'S IN INCHES

**SPECIFICATIONS**

Materials:

Window: UNI-SAN 6500 (Glass fused to Hastelloy-C (B574, B595) ring.

Surface Finish:

Internal: 20 Ra (180 Grit, 0.5 micrometers) Standard  
(Finer finishes available upon request.)

External: 32 Ra (150 Grit, 0.8 micrometers) Standard