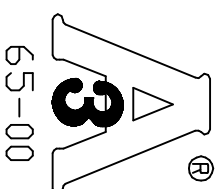
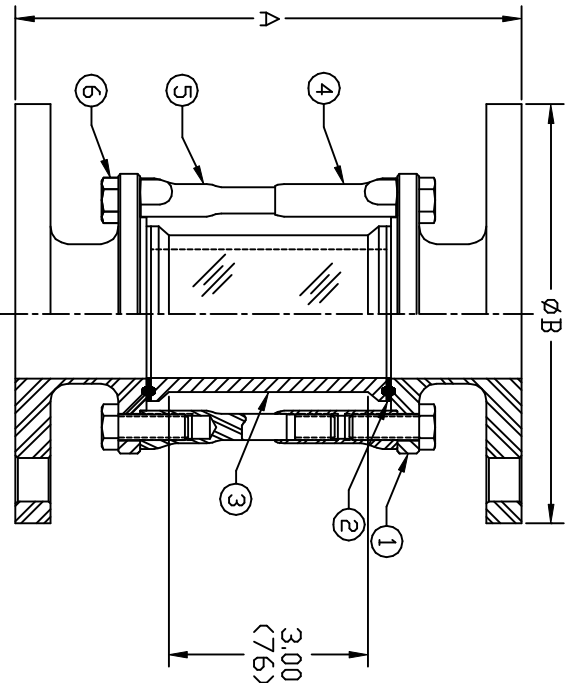
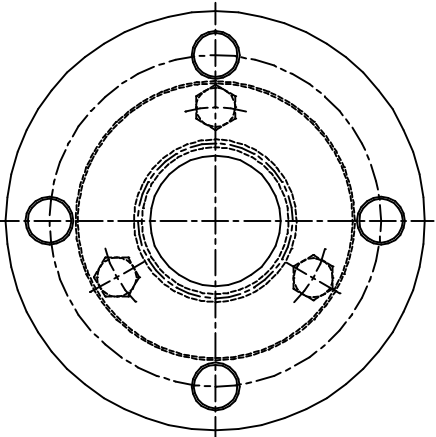


THIS DRAWING AND ALL INFORMATION ON IT IS THE PROPERTY OF JACOBRY-TARBOX, DIVISION OF THE CLARK-RELANCE CORPORATION. IT IS CONFIDENTIAL AND IS GIVEN TO YOU FOR A LIMITED PURPOSE AND MUST BE RETURNED UPON REQUEST. NEITHER THIS DRAWING NOR ANY PART OF IT NOR ANY INFORMATION CONCERNING IT MAY BE COPIED, EXHIBITED OR FURNISHED TO OTHERS NOR MAY PHOTOGRAPHS BE TAKEN OF ANY ARTICLE FABRICATED OR ASSEMBLED FROM THIS DRAWING WITHOUT CONSENT OF THE CLARK-RELANCE CORPORATION.

USDA DAIRY ACCEPTED



ITEM	NAME	QTY.	MATERIAL
1	HEAD	2	
2	SANITARY GASKET	2	
3	OPTICAL CYLINDER	1	BORO
4	UPPER SPACER	3	304 SS
5	LOWER SPACER	3	304 SS
6	BOLT	6	304 SS

*SIZE	A INCHES (mm)	B INCHES (mm)	PRESSURE (MAX)
1	6.88 (174)	4.25 (108)	150 PSIG
1 1/2	7.12 (181)	5.00 (127)	150 PSIG
2	7.25 (184)	6.00 (152)	150 PSIG
2 1/2	7.38 (187)	7.00 (178)	150 PSIG
3	9.25 (235)	7.50 (190)	150 PSIG
4	11.75 (298)	9.00 (229)	150 PSIG

* SIZES ARE STANDARD TUBE O.D.'S
IN INCHES

SPECIFICATIONS

Materials:

Heads: 304 SS, 316L SS to ASTM A276

Window: Annealed Borosilicate Glass

: Acrylic (Optional)

Gaskets: Standard 3A Sanitary Gaskets

Fasteners: 304 SS

Surface Finish:

Internal:

32 Ra (150 Grit, .8 micrometers) Standard

(Finer finishes, and/or electropolish available upon request.)

External:

32 Ra (150 Grit, .8 micrometers) Standard

Optional Features

Special lengths available up to 48 inches ("A" Dim)

Pressure ratings decrease with additional lengths

Model: 700-FL