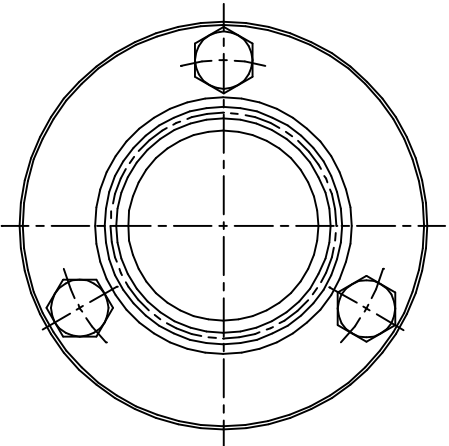
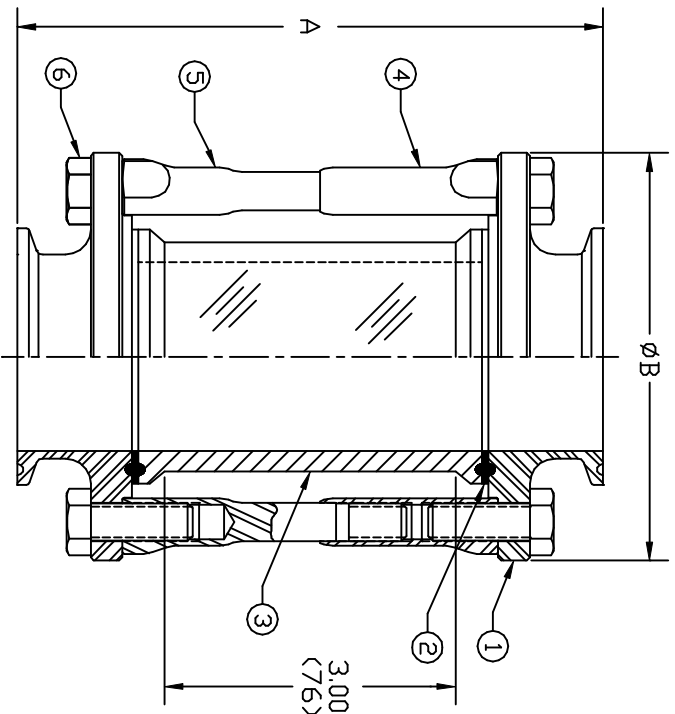
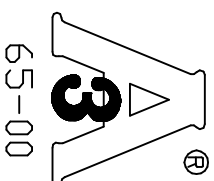


THIS DRAWING AND ALL INFORMATION ON IT IS THE PROPERTY OF JACOBY-TARBOX, DIVISION OF THE CLARK-RELIANCE CORPORATION. IT IS CONFIDENTIAL AND IS GIVEN TO YOU FOR A LIMITED PURPOSE AND MUST BE RETURNED UPON REQUEST. NEITHER THIS DRAWING NOR ANY PART OF IT NOR ANY INFORMATION CONCERNING IT MAY BE REPRODUCED, EXHIBITED OR FURNISHED TO OTHERS NOR MAY ANY PORTION THEREOF BE LOANED, COPIED, REPRODUCED OR ASSEMBLED FROM THIS DRAWING WITHOUT CONSENT OF THE CLARK-RELIANCE CORPORATION.



USDA DAIRY ACCEPTED



ITEM	NAME	QTY.	MATERIAL
1	HEAD	2	
2	SANITARY GASKET	2	
3	OPTICAL CYLINDER	1	BORD
4	UPPER SPACER	3	316LSS
5	LOWER SPACER	3	316LSS
6	BOLT	6	316SS

**SPECIFICATIONS**

**Materials:**

Heads: 304 SS, 316L SS to ASTM A276

Window: Annealed Borosilicate Glass

Acrylic (Optional)

Gaskets: Standard 3A Sanitary Gaskets

Fasteners: 304 SS

**Surface Finish:**

Internal: 32 Ra (150 Grit, .8 micrometers) Standard

(Finer finishes, and/or electropolishing available upon request.)

**External:**

32 Ra (150 Grit, .8 micrometers) Standard

**Optional Features**

Special lengths available up to 48 inches ("A" Dim)

Pressure ratings decrease with additional length

Model: 7000-CL

*SIZE	INCHES A (mm)	INCHES B (mm)	PRESSURE (MAX)
1/2	6.25 (159)	3.75 (95)	150 PSIG
3/4	6.25 (159)	3.75 (95)	150 PSIG
1	5.75 (146)	3.75 (95)	150 PSIG
1 1/2	5.75 (146)	3.75 (95)	150 PSIG
2	5.75 (146)	4.00 (102)	150 PSIG
2 1/2	6.38 (162)	4.75 (121)	150 PSIG
3	6.50 (165)	5.50 (140)	150 PSIG
4	7.25 (184)	6.88 (175)	150 PSIG

\* 1/2 & 3/4 SIZE FOR USE ON INCLINE

ND LESS THAN 45 DEGREES

\* SIZES ARE STANDARD TUBE O.D.'S  
IN INCHES