

MATERIAL: SEE B/M  
 DRAWN: MBV CHECKED: DEP  
 SCALE: NONE DATE: 9/6/00

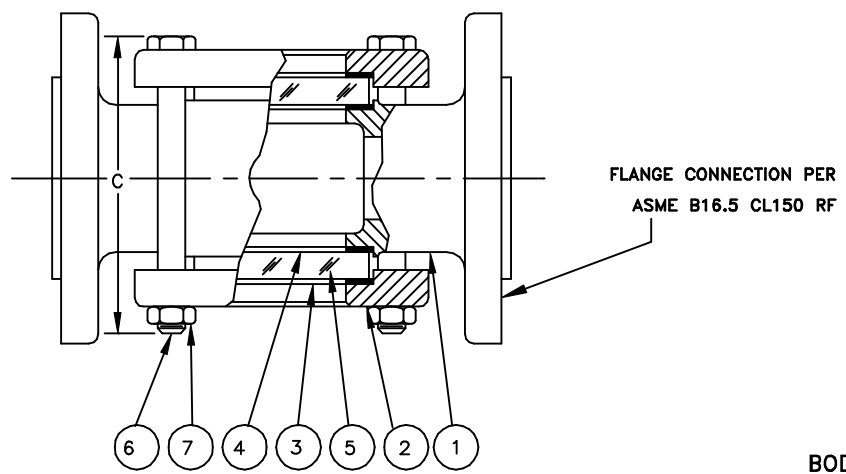


SIGHT FLOW INDICATOR  
 STYLE 910-FA & 608-FA W/ COUPLING

Section: T400  
 Bulletin: T400.11  
 Date: 12/01/00  
 Supersedes: 9/6/00

150 AMSE CLASS MODELS

FILE NO.: T400-11.DWG



PARTS LIST				
PIECE NO.	NAME OF PART	QUAN.	MATERIAL	COMMENTS
1	BODY	1	SEE BELOW	
2	RETAINER	2	STEEL	
3	CUSHION	2	FIBER	
4	SEAL GASKET	2		
5	WINDOW	2	BOROSILICATE	
6	BOLT	4	STEEL	
7	NUT	4	STEEL	
8	INDICATOR			

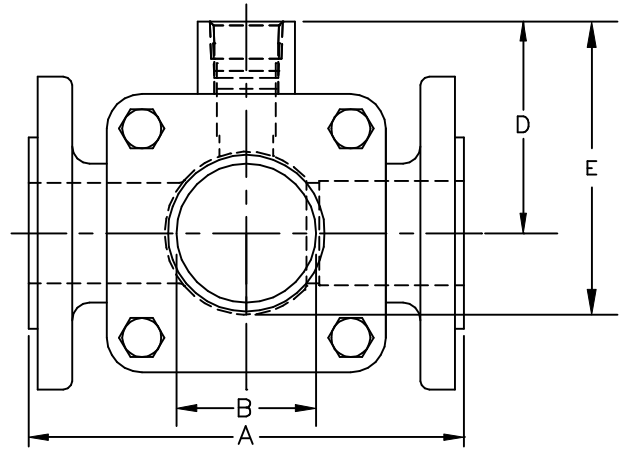
THIS DRAWING AND ALL INFORMATION ON IT IS THE PROPERTY OF JACOBY-TARBOX, DIVISION OF THE CLARK-RELIANCE CORPORATION. IT IS CONFIDENTIAL AND IS GIVEN TO YOU FOR A LIMITED PURPOSE AND MUST BE RETURNED UPON REQUEST. NEITHER THIS DRAWING NOR ANY PART OF IT NOR ANY INFORMATION CONCERNING IT MAY BE COPIED, EXHIBITED OR FURNISHED TO OTHERS NOR MAY PHOTOGRAPHS BE TAKEN OF ANY ARTICLE FABRICATED OR ASSEMBLED FROM THIS DRAWING WITHOUT CONSENT OF THE CLARK-RELIANCE CORPORATION.

ASME CLASS P/T RATINGS

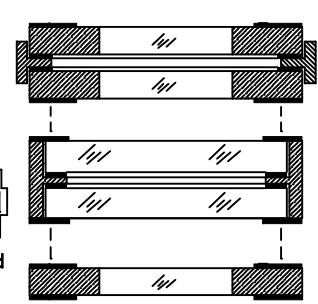
TEMP F	150 CLASS	
	STEEL	316 SS
-20 TO 100	285	275
150	270	260
200	260	240
250	245	230
300	230	215
350	215	205
400	200	195
450	185	180
500	170	170

STANDARD DESIGN MATERIALS:

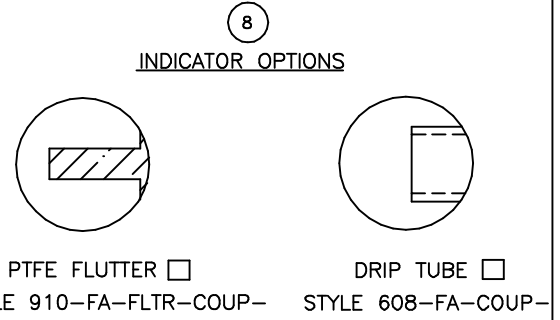
- BODY: ASTM A216-WCB (CARBON STEEL)
- ASTM A351-CF8M (316 SS)
- RETAINER: ASTM A216-WCB (STEEL) (1/2" - 6")
- ASTM A516 GR. 70 (STEEL) (8" & UP)
- FASTENERS: A354-BD/A194-2H (STEEL)
- INDICATOR: 316 SS FLAP & DRIP, PTFE FLUTTER
- 304/316 SS TRIM AVAILABLE
- OPTIONAL ALLOYS FURNISHED UPON REQUEST



STYLE 910-FA (NF)-COUP-(SIZE)



- WINDOW OPTIONS
- DUAL UNIGLAS WINDOWS
  - FULL VIEW DUAL WINDOWS
  - UNIGLAS WINDOW



- INDICATOR OPTIONS
- PTFE FLUTTER
  - DRIP TUBE
- STYLE 910-FA-FLTR-COUP-      STYLE 608-FA-COUP-

DIMENSIONS

PIPE SIZE	A		B		C		"D & E" BY COUPLING SIZE												APPROX. WGT.	
							1/2" COUPLING				3/4" COUPLING				1" COUPLING					
	IN.	MM	IN.	MM	IN.	MM	D		E		D		E		D		E		LBS.	KGS.
1	5-5/8	143	1-1/4	32	4-1/4	108	1.89	48.0	2.92	74.2	1.81	46.0	2.84	72.1	1.77	45.0	2.80	71.1	8	3.6
1-1/2	6-1/2	165	2	51	5-3/4	146	2.55	64.8	4.08	104	2.43	61.7	3.96	100	2.61	66.3	4.14	105	15	6.8
2	7-7/8	200	2	51	6-3/8	162	2.85	72.4	4.54	115	2.86	72.6	4.55	116	2.97	75.4	4.66	118	22	10
2-1/2&3	9-3/8	238	3-3/16	81	7-15/16	202	3.69	93.7	6.16	156	3.72	94.5	6.19	157	3.85	97.8	6.32	160	44	20
4	11	279	4-3/8	111	9-1/2	241	4.36	111	7.49	190	4.39	112	7.52	191	4.28	109	7.41	188	67	30.4
6	14-1/4	362	6	152	12-11/16	322	5.72	145	10.16	258	5.76	146	10.20	259	5.69	144	10.13	257	155	70.3