

MATERIAL: SEE B/M  
 DRAWN: TFK CHECKED: DEP  
 SCALE: NONE DATE: 9-15-95

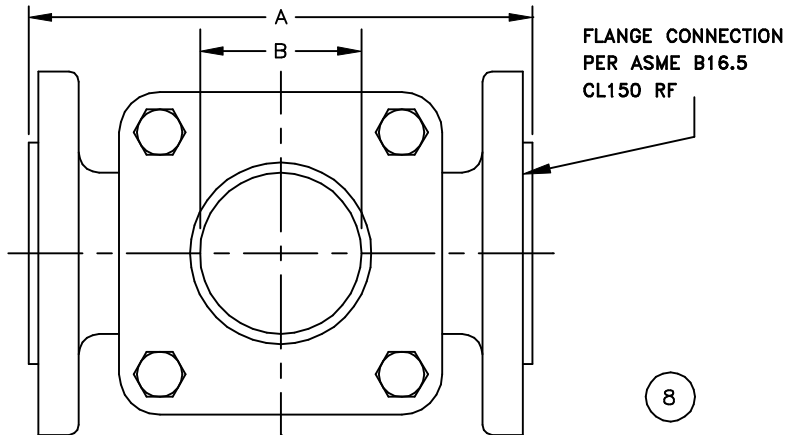


SIGHT FLOW INDICATOR  
 FUSED PFA TEFLON LINED  
 STYLES 910-FA-PFA AND 608-FA-PFA

Section: T400  
 Bulletin: T400.10  
 Date: 12/01/00  
 Supersedes: 11/10/98

150 ASME CLASS MODELS

FILE NO.: T400-10.DWG

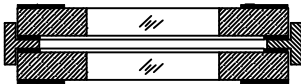


STYLE 910-FA-PFA (NF)

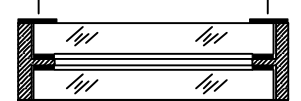
INDICATOR OPTIONS

OPTIONS

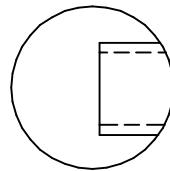
DUAL UNIGLAS WINDOWS



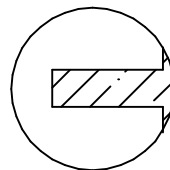
FULL VIEW DUAL WINDOWS



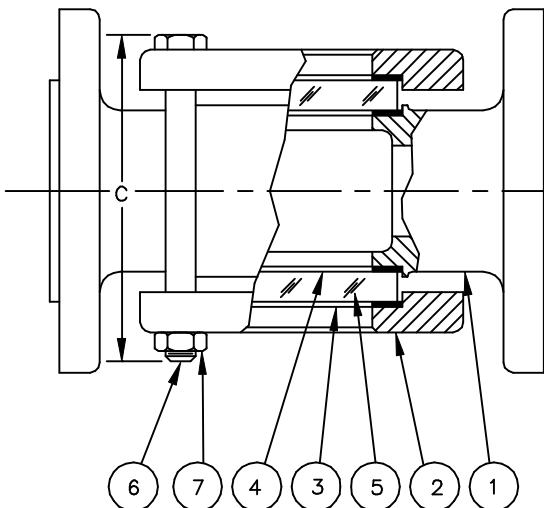
UNIGLAS WINDOW



DRIP TUBE   
 STYLE 608-FA-PFA



PTFE FLUTTER   
 STYLE 910-FA-FLTR-PFA



PARTS LIST

PIECE NO.	NAME OF PART	QUAN.	MATERIAL	COMMENTS
1	BODY	1	SEE BELOW	
2	RETAINER	2	STEEL	
3	CUSHION	2	FIBER	
4	SEAL GASKET	2		
5	WINDOW	2	BOROSILICATE	
6	BOLT		STEEL	
7	NUT		STEEL	
8	INDICATOR	1		

THIS DRAWING AND ALL INFORMATION ON IT IS THE PROPERTY OF JACOBY-TARBOX, DIVISION OF THE CLARK-RELIANCE CORPORATION. IT IS CONFIDENTIAL AND IS GIVEN TO YOU FOR A LIMITED PURPOSE AND MUST BE RETURNED UPON REQUEST. NEITHER THIS DRAWING NOR ANY PART OF IT NOR ANY INFORMATION CONCERNING IT MAY BE COPIED, EXHIBITED OR FURNISHED TO OTHERS NOR MAY PHOTOGRAPHS BE TAKEN OF ANY ARTICLE FABRICATED OR ASSEMBLED FROM THIS DRAWING WITHOUT CONSENT OF THE CLARK-RELIANCE CORPORATION.

ASME CLASS P/T RATINGS

TEMP F	150 CLASS	
	STEEL	316 SS
-20 TO 100	285	275
150	270	260
200	260	240
250	245	230
300	230	215
350	215	205
400	200	195
450	185	180
500	170	170

STANDARD DESIGN MATERIALS:

BODY: ASTM A216-WCB (CARBON STEEL)

ASTM A351-CF8M (316 SS)

LINING: 30-40 MILS PFA TEFLON

RETAINER: ASTM A216-WCB (STEEL) (1/2"-6")

ASTM A516 GR. 70 (STEEL) (8" & UP)

FASTENERS: A354-BD/A194-2H (STEEL)

INDICATOR: PTFE FLUTTER & DRIP

304/316 SS TRIM AVAILABLE

BODIES ARE RATED FOR FULL VACUUM SERVICE

ADD 1/8" TO "A" DIMENSION IF DRIP TUBE INDICATOR IS SELECTED

DIMENSIONS

PIPE SIZE	A		B		C		APPROX. WGT.		# BOLTS
	IN.	mm	IN.	mm	IN.	mm	LBS.	KGS.	
	1/2&3/4	4.62	118	1.25	32	4.00	102	6	
1	5.62	143	1.25	32	4.25	114	8	3.6	4
1-1/2	6.50	165	2.00	51	5.75	146	15	6.8	4
2	7.88	200	2.00	51	6.00	152	22	10	4
2-1/2&3	9.38	238	3.19	81	8.00	203	44	20	4
4	11.00	279	4.38	111	10.25	260	67	30.4	4
6	14.25	362	6.00	153	13.50	343	120	54.4	4
8	16.12	410	8.25	210	16.50	419	230	104.3	4
10	24.75	629	11.00	279	23.69	602	405	183.7	16
12	25.75	654	11.00	279	23.69	602	460	208.7	16
14	26.75	679	11.00	279	27.00	686	505	229	16
16	26.75	679	11.00	279	27.00	686	555	251.7	16