

BILL OF MATERIAL

PIECE NO.	NAME OF PART	QTY.	MATERIAL	PART NO.	SPECIAL MATERIAL	PART NO.
1	CHAMBER	1	STEEL	S-17255- -A		
2	COVER	1 PER SECTION	STEEL	V-10974- -AL4		
3	GLASS		TEMPERED GLASS	V-16757-		
4	GASKET	2 PER SECTION	IFG5500	V-19469-		
5	BOLT	SEE CHART	STEEL	V-11080-B71		
6	BONNET	2	STEEL	S-10810-A-ASSY	316L SS	S-9055-T * SEE NOTE
7	PACKING	2	GPH/NICR		TEFLON	
8	GLAND	2	STEEL		316 SS	
9	PACKING NUT	2	STEEL		316 SS	
10	STEM	2	416 SS		316 SS	
11	HANDWHEEL	2	MAL IRON		MAL IRON	
12	STEM NUT	2	STEEL		STEEL	
13	RATING TAG	1	SS	V-11053-	SS	

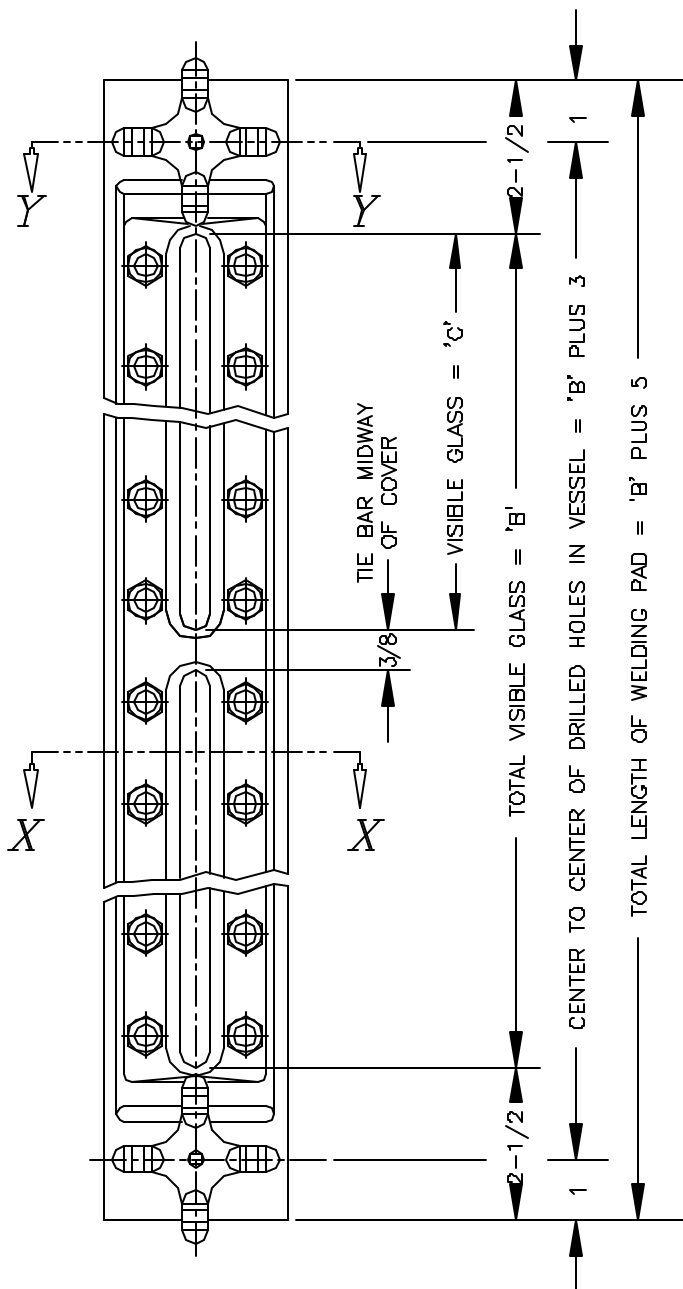
RATINGS	
2400 PSI @ 100°F	
1600 PSI @ 600°F	

* NOTE: FOR ALL CHAMBER MATERIALS OTHER THAN STEEL, USE PART NO. S-9055-T.

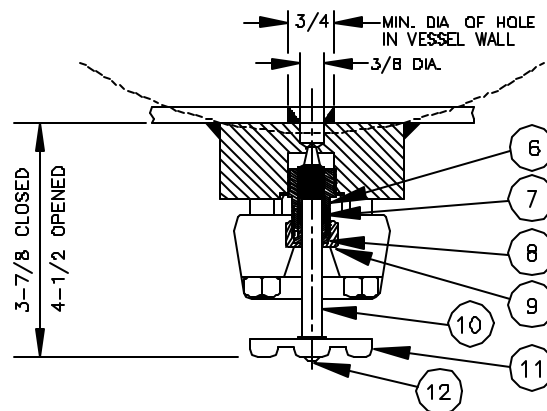
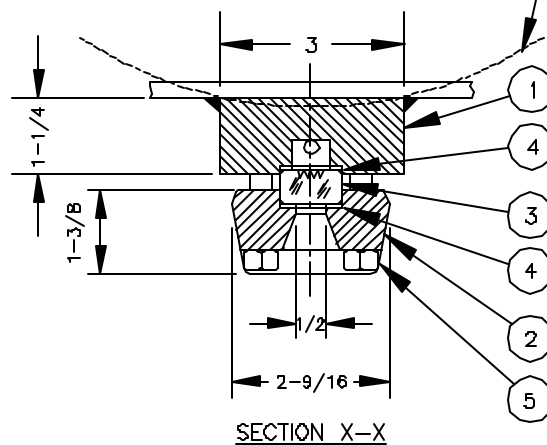
SIZE NO.	BOLTS PER SECT.	DIM. 'C' IN INCHES	NUMBER OF SECTIONS			
			DIMENSION 'B' IN INCHES			
			1	2	3	4
15	18	14-5/8	14-5/8	30-3/4	46-3/4	62-7/8
18	22	17-5/8	17-5/8	36-3/4	56-3/4	74-7/8
20	24	19-5/8	19-5/8	40-3/4	61-3/4	82-7/8

NOTE.

- GLASS AVAILABLE IN SIZES 15, 18, AND 20 ONLY. FOR SMALLER SIZES SEE DRAWING R20-IW00.



GAGE CAN BE FURNISHED WITH CURVED PAD TO FIT RADIUS OF TANK OR STANDPIPE



8	REDRAWN & UPDATED	1/16/02	MJK
SYM	REVISION	DATE	APP

ISOLABLE RIW-12
WELDING PAD GAGES

**JERGUSON
GAGE & VALVE CO.**
STRONGSVILLE, OHIO, U.S.A.

DRAWN LMC
CHECKED MJK
APPROVED

FILE NO.
DRAWING NO.
R12-IW00
REV. B

SCALE NONE DATE 7/19/96