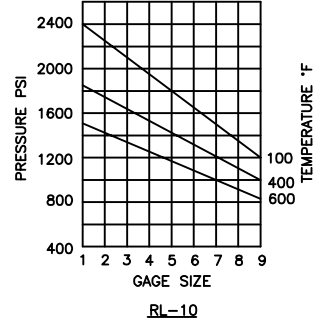
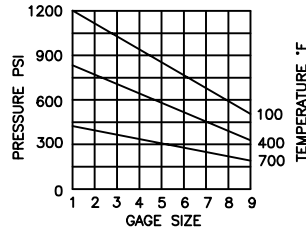
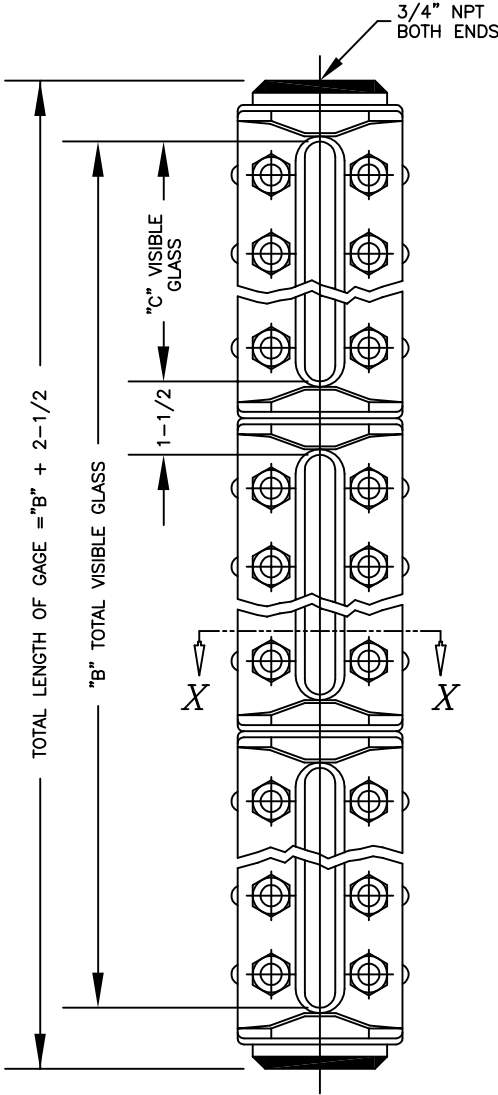


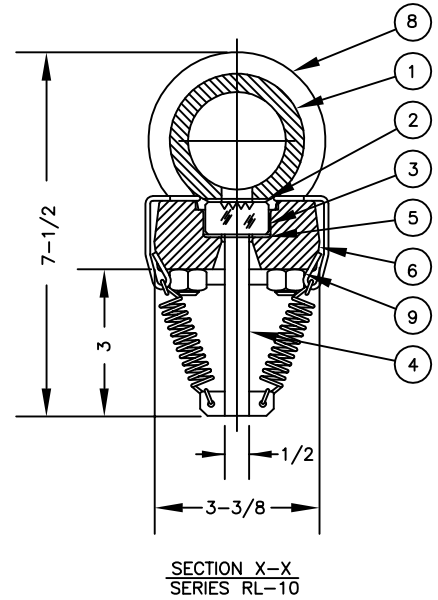
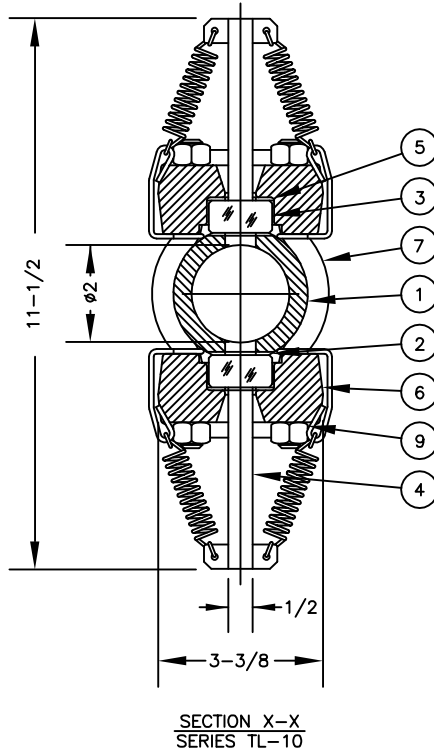
BILL OF MATERIAL

PIECE NO.	NAME OF PART	QTY.	TYPE 1 TO -20°F		TYPE 2 -21°F TO -50°F		TYPE 3 -51°F TO -325°F	
			MATERIAL	PART NO.	MATERIAL	PART NO.	MATERIAL	PART NO.
1	CHAMBER TRANS REFLEX	1	STEEL ASTM A513	S-19792-A S-19724-A	STEEL ASTM A334	S-19792-A32 S-19724-A32	316SS ASTM A269	S-19792-T S-19724-T
2	GASKET	1	IFG5500	V-18980-	TEFLON	V-7858-	TEFLON	V-7858-
3	GLASS TRANS REFLEX	2/ SECT. 1/ SECT.	TEMPERED GLASS	V-16756-	TEMPERED GLASS	V-16756-	TEMPERED GLASS	V-16756-
4	EXTENSION ASS'Y	1	CLEAR PLASTIC	S-18678-	CLEAR PLASTIC	S-18678-	CLEAR PLASTIC	S-18678-
5	CUSHION	1	IFG5500	V-18980-	IFG5500	V-18980-	IFG5500	V-18980-
6	COVER	1	STEEL ASTM A105	V-2M- -A5	STEEL ASTM A537	V-438- -A62	316SS MIL QQ-S-763	V-438- -TL2
7	BOLT	SEE CHART	ASTM A193 GR.B7	P-2519-B71	316SS	P-2519-T	316SS	P-2519-T
8	U-BOLT	1	ASTM A193 GR.B7	P-1082-B71	ASTM A193 GR.B8M	P-1082-B8M	ASTM A193 GR.B8M	P-1082-B8M
9	NUT	1	ASTM A194 GR.2H	V-11062-2HA	ASTM A194 GR.8M	P-78-12-B8M	ASTM A194 GR.8M	P-78-12-B8M
10	RATING TAG	1	SS	V-16343-	SS	V-16340-	SS	V-16340-
	RATING TAG	1	SS	V-16342-	SS	V-16341-	SS	V-16341-

NOTE: -51°F TO -325°F USE 70% OF RATING SHOWN



NOTE:
1. EXTENSION SHOWN IS STANDARD
LONGER EXTENSIONS ARE AVAILABLE



SIZE NO.	QTY. PER SECT.			DIM. "C" IN INCHES	NUMBER OF SECTIONS								
	BOLT	U-BOLT	NUT		DIMENSION "B" IN INCHES								
					1	2	3	4	5	6	7	8	9
1	6	3	6	3 3/4	3 3/4	9	14 1/4	19 1/2	24 3/4	30	35 1/4	40 1/2	45 3/4
2	6	3	6	4 3/4	4 3/4	11	17 1/4	23 1/2	29 3/4	36	42 1/4	48 1/2	54 3/4
3	8	4	8	5 3/4	5 3/4	13	20 1/4	27 1/2	34 3/4	42	49 1/4	56 1/2	63 3/4
4	10	5	10	6 3/4	6 3/4	15	23 1/4	31 1/2	39 3/4	48	56 1/4	64 1/2	72 3/4
5	10	5	10	7 7/8	7 7/8	17 1/4	26 5/8	36	45 3/8	54 3/4	64 1/8	73 1/2	82 7/8
6	12	6	12	9 1/8	9 1/8	19 3/4	30 3/8	41	51 5/8	62 1/4	72 7/8	83 1/2	94 1/8
7	14	7	14	10 1/4	10 1/4	22	33 3/4	45 1/2	57 1/4	69	80 3/4	92 1/2	104 1/4
8	16	8	16	11 7/8	11 7/8	25 1/4	38 5/8	52	65 3/8	78 3/4	92 1/8	105 1/2	118 7/8
9	16	8	16	12 5/8	12 5/8	26 3/4	40 7/8	55	69 1/8	83 1/4	97 3/8	111 1/2	125 5/8

6	TEF. GASKETS -21°F & BELOW	5/29/98		<p align="center">SERIES LF-10 NON-FROSTING GAGES 3/4" NPT END CONN.</p>	<p align="center">JERGUSON GAGE & VALVE CO. STRONGSVILLE, OHIO, U.S.A.</p>	DRAWN TAP	FILE NO.
5	REDRAWN & UPDATED	7/11/96				CHECKED MJK	DRAWING NO.
4	NEW MAT'LS & TEMP RATINGS	3/15/96				APPROVED	NF10L-60
3	NEW MAT'LS & TEMP RATINGS	4/18/94				SCALE NONE	DATE 5/29/98
SYM	REVISION	DATE	APP				