

PART NO.: SEE CHART

TOLERANCE CLASS: N/A

DRAWN: DAS

DATE: 6/23/95

SCALE: NONE

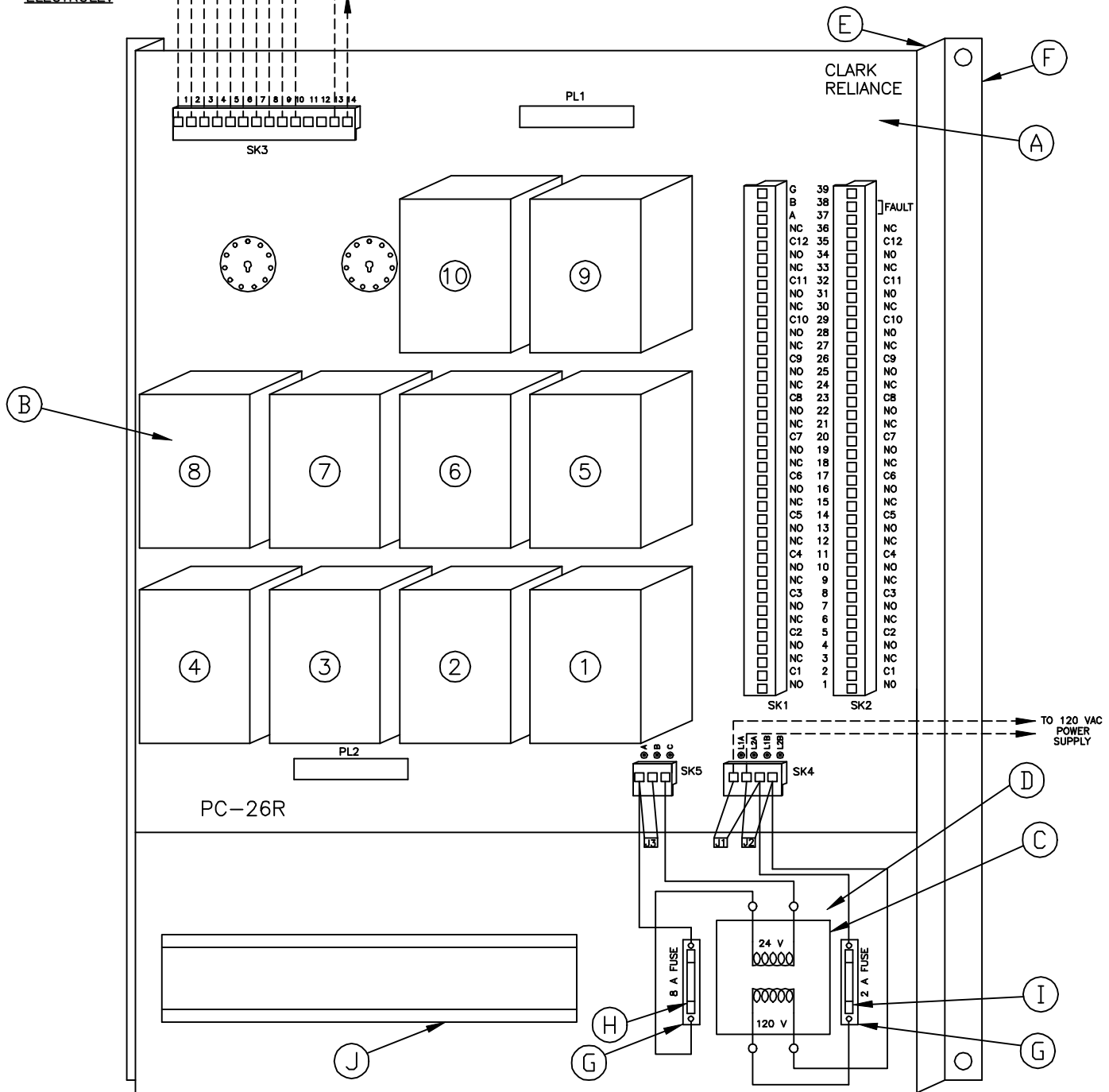
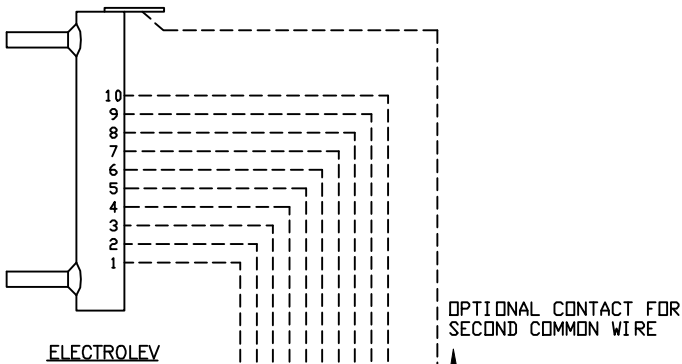
CHECKED: JWK

TAG:

CONTROL UNIT ASSEMBLY

NOTE: ENCLOSURE NOT SHOWN
 FOR NEMA 1 USE PART NO. ECIE-1 DWG NO EC7149-A
 FOR NEMA 4 USE PART NO. ECIE-4 DWG NO EC7150-A
 FOR NEMA 4X USE PART NO. RA24HI608SSLP

BILL OF MATERIAL					
ITEM	PART NO.	QTY.	DESCRIPTION	MATERIAL	DWG. NO.
A	PC-26R	1	PRINTED CIRCUIT BOARD		EC7399-B
B	ECID-23R	10	RELAY		
C	ECID-19	1	TRANSFORMER		
D	PC-63	1	TRANSFORMER PANEL	18 GA. S.S.	EC7417-A
E	PC-33L	1	SUPPDT BRACKET	18 GA. S.S.	EC7155-A
F	PC-33R	1	SUPPDT BRACKET	18 GA. S.S.	EC7155-A
G	PC-45	2	FUSE HOLDER		
H	PC-46	1	FUSE (8 AMP - 32 V.)		
I	PC-47	1	FUSE (2 AMP - 250 V.)		
J	PC-61	1	DIN MOUNTING BRACKET		



ITEM	DESCRIPTION	ITEM	DESCRIPTION
NO	1	NO	1
C1	2	NC	2
NC	3	NO	3
NC	4	NC	4
NC	5	NC	5
NC	6	NC	6
NC	7	NC	7
C3	8	NC	8
NC	9	NC	9
NC	10	NC	10
NC	11	NC	11
C4	12	NC	12
NC	13	NC	13
C5	14	NC	14
NC	15	NC	15
NC	16	NC	16
C6	17	NC	17
NC	18	NC	18
NC	19	NC	19
C7	20	NC	20
NC	21	NC	21
NC	22	NC	22
C8	23	NC	23
NC	24	NC	24
NC	25	NC	25
C9	26	NC	26
NC	27	NC	27
NC	28	NC	28
C10	29	NC	29
NC	30	NC	30
NC	31	NC	31
C11	32	NC	32
NC	33	NC	33
NO	34	NC	34
NC	35	NC	35
C12	36	NC	36
NC	37	NC	37
B	38	NC	38
G	39	NC	39

TO 120 VAC
 POWER
 SUPPLY