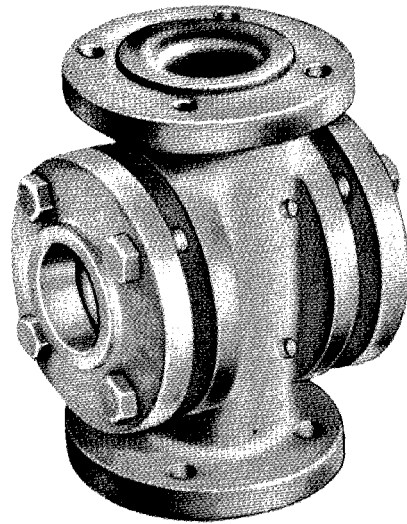
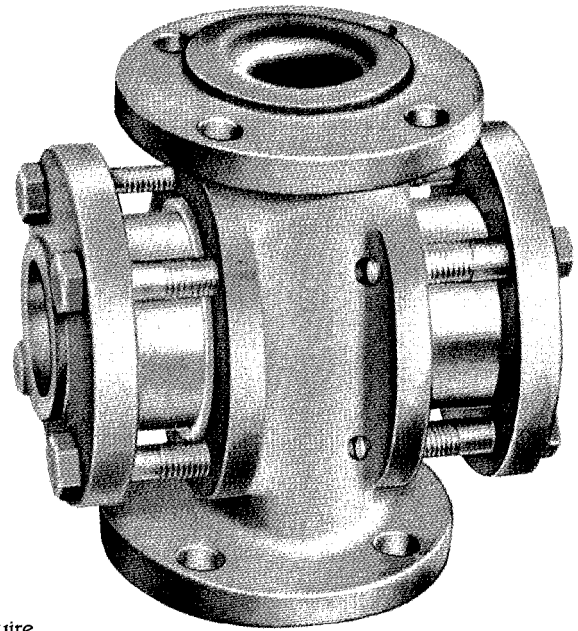


# TFE LINED SIGHT FLOW INDICATORS

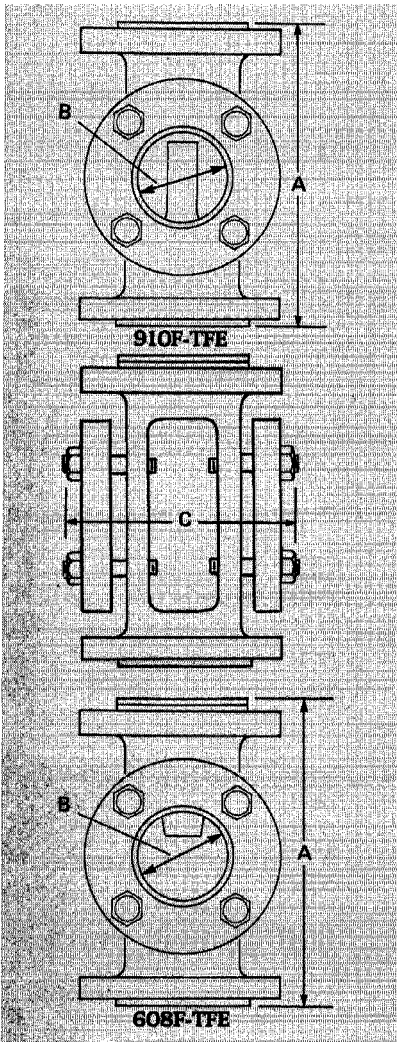


**Standard**



**with dual window**

Some applications require TFE lined sight flow indicators. For added safety, we recommend our patented Dual Windows or UniGlas™.



## TFE Lined Sight Flow Indicators

DRILLED TO 125/150# ANSI STANDARDS

Size	DIMENSIONS			Pressure Rating PSIG	Approx. Weight
	A*	B	C		
1"	7"	1-3/8"	5"	150	14#
1-1/2"	8"	2"	5-13/16"	150	22#
2"	9"	2"	6-13/16"	150	32#
3"	11"	3-3/16"	7-13/16"	150	53#
4"	13"	4-1/4"	9-7/16"	150	88#
6"	16"	6-7/8"	12"	150	138#
8"	18"	8-5/8"	16-3/8"	150	225#
10"	22"	10-3/4"	19-1/2"	150	365#

\*With Drip: Add 3/16" to 'A' Dim. 1"-3" units  
Add 1/8" to 'A' Dim. 4"-10" units