

MATERIAL: PER B/M  
 DRAWN: TFK CHECKED: DEP  
 SCALE: NONE DATE: 09/03/97

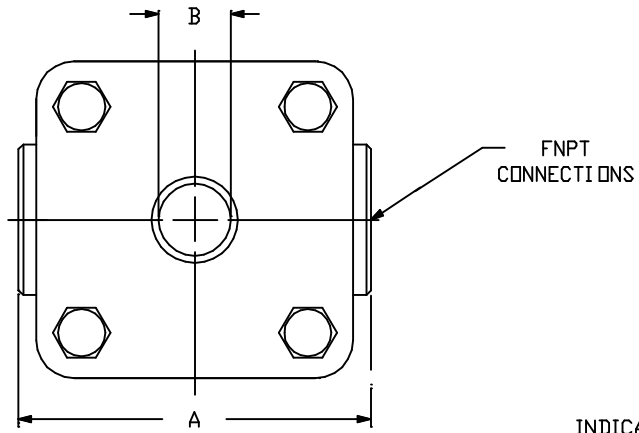


SIGHT FLOW INDICATOR  
 S-100HP-1000, S-200HP-1000,  
 S-300HP-1000, S-400HP-1000

Section: T400  
 Bulletin: T400.18  
 Date: 09/01/93  
 Supersedes: 12/05/01

1000 PSIG MODELS

FILE NO.: T400-18.DWG



PARTS LIST				
PIECE NO.	NAME OF PART	QUAN.	MATERIAL	COMMENTS
1	BODY	1	SEE BELOW	
2	RETAINER	2	STEEL	
3	CUSHION	2	FIBER	
4	SEAL GASKET	2		
5	WINDOW	2	BOROSILICATE	
6	BOLT	4	STEEL	
7	NUT	4	STEEL	
8	INDICATOR	1		

THIS DRAWING AND ALL INFORMATION ON IT IS THE PROPERTY OF JACOBY-TARBOX, DIVISION OF THE CLARK-RELiance CORPORATION. IT IS CONFIDENTIAL AND IS GIVEN TO YOU FOR A LIMITED PURPOSE AND MUST BE RETURNED UPON REQUEST. NEITHER THIS DRAWING NOR ANY PART OF IT NOR ANY INFORMATION CONCERNING IT MAY BE COPIED, EXHIBITED OR FURNISHED TO OTHERS NOR MAY PHOTOGRAPHS BE TAKEN OF ANY ARTICLE FABRICATED OR ASSEMBLED FROM THIS DRAWING WITHOUT CONSENT OF THE CLARK-RELiance CORPORATION.

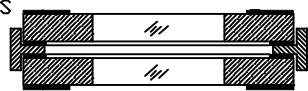
S-100HP-1000 (NF) PLAIN

INDICATOR OPTIONS <sup>®</sup>

\* S-400HP-1000 HAS ONLY ONE WINDOW

WINDOW OPTIONS

DUAL UNIGLAS WINDOWS

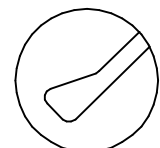
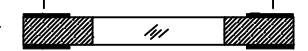


FULL VIEW DUAL WINDOWS

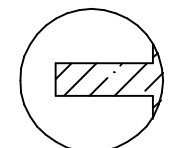


Factory Mutual System Approved

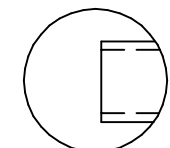
UNIGLAS WINDOW



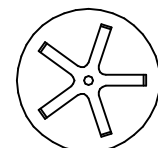
FLAPPER   
S-100HP-1000



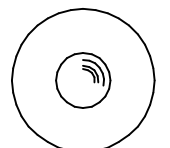
PTFE FLUTTER   
S-100HP-FLTR-1000



DRIP TUBE   
S-200HP-1000



PTFE ROTOR   
S-300HP-1000



BALL  \*  
S-400HP-1000

STANDARD DESIGN MATERIALS:

BODY: ASTM A216-WCB (CARBON STEEL)   
 ASTM A351-CF8M (316 SS)

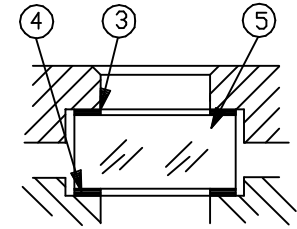
RETAINER: ASTM A516 GR.70 (STEEL)

FASTENERS: SAE GRADE 5 (STEEL)

INDICATOR: 316SS FLAP&DRIP  
 : PTFE FLUTTER, ROTOR, BALL

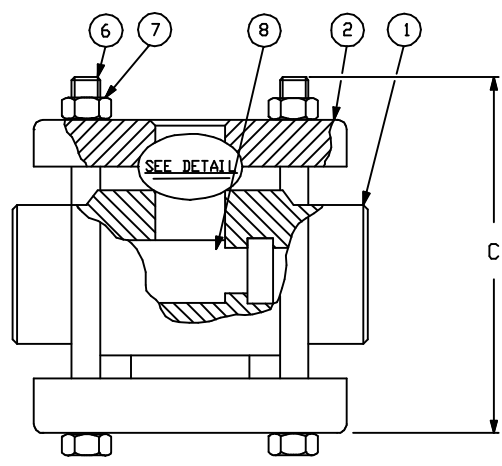
304/316 TRIM AVAILABLE

OPTIONAL ALLOYS FURNISHED UPON REQUEST



TYPICAL DETAIL  
1000# UNITS

P/T RATINGS			
TEMP F	1000 PSIG		
	STEEL	316 SS	
-20 TO 100	1000	1000	
150	1000	1000	
200	1000	1000	
250	1000	1000	
300	1000	1000	
350	1000	1000	
400	1000	1000	
450	1000	1000	
500	1000	1000	



PIPE SIZE	DIMENSIONS							
	A		B		C		APPROX. WGT.	
	IN.	mm	IN.	mm	IN.	mm	LBS.	KGS.
1/8 - 3/8	3.75	95	0.75	20	3.75	95	6	2.7
1/2 & 3/4	4.50	114	1.00	25	4.50	114	11	5.0
1	4.88	124	1.25	32	4.75	121	12	5.5
1-1/4&1-1/2	6.00	152	1.50	38	7.00	178	20	9.1
2	7.25	184	2.00	51	8.00	203	40	18.2