

MATERIAL: PER B/M  
 DRAWN: TFK  
 CHECKED: DEP  
 SCALE: NONE  
 DATE: 9-15-95



SIGHT FLOW INDICATOR

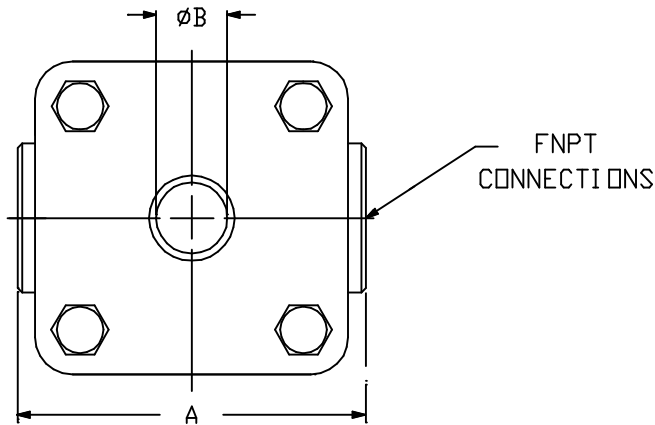
S-100HP-600, S-200HP-600,  
 S-300HP-600, S-400HP-600

Section: T400  
 Bulletin: T400.17  
 Date: 09/01/93  
 Supersedes: 12/05/91

600 PSIG MODELS

FILE NO: T400-17.DWG

THIS DRAWING AND ALL INFORMATION ON IT IS THE PROPERTY OF JACOBY-TARBOX, DIVISION OF THE CLARK-RELiance CORPORATION. IT IS CONFIDENTIAL AND IS GIVEN TO YOU FOR A LIMITED PURPOSE AND MUST BE RETURNED UPON REQUEST. NEITHER THIS DRAWING NOR ANY PART OF IT NOR ANY INFORMATION CONCERNING IT MAY BE COPIED, EXHIBITED OR FURNISHED TO OTHERS NOR MAY PHOTOGRAPHS BE TAKEN OF ANY ARTICLE FABRICATED OR ASSEMBLED FROM THIS DRAWING WITHOUT CONSENT OF THE CLARK-RELiance CORPORATION.



PLAIN

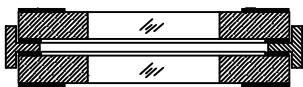
STYLE S-100HP-600 (NF)

INDICATOR OPTIONS

PARTS LIST

| PIECE NO. | NAME OF PART | QUAN. | MATERIAL     | COMMENTS |
|-----------|--------------|-------|--------------|----------|
| 1         | BODY         | 1     | SEE BELOW    |          |
| 2         | RETAINER     | 2     | STEEL        |          |
| 3         | CUSHION      | 2     | FIBER        |          |
| 4         | SEAL GASKET  | 2     |              |          |
| 5         | WINDOW       | 2     | BOROSILICATE |          |
| 6         | BOLT         | 4     | STEEL        |          |
| 7         | NUT          | 4     | STEEL        |          |
| 8         | INDICATOR    | 1     |              |          |

WINDOW OPTIONS  
 DUAL UNIGLAS WINDOWS

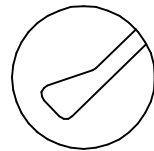
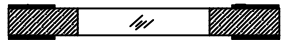


FULL VIEW DUAL WINDOWS

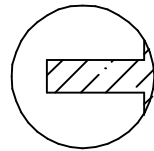


Factory Mutual System Approved

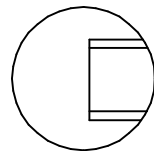
UNIGLAS WINDOW



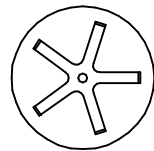
FLAPPER   
 STYLE S-100HP-600



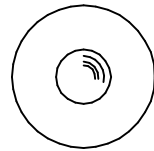
PTFE FLUTTER   
 STYLE S-100HP-FLTR-600



DRIP TUBE   
 STYLE S-200HP-600



PTFE ROTOR   
 STYLE S-300HP-600



BALL  \*  
 STYLE S-400HP-600

\* S-400HP-600 HAS ONLY ONE WINDOW

STANDARD DESIGN MATERIALS:

BODY: ASTM A216-WCB (CARBON STEEL)

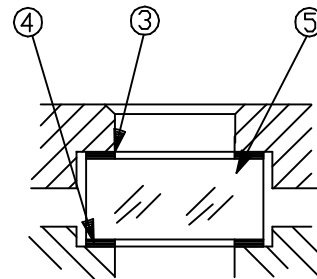
ASTM A351-CF8M (316 SS)

RETAINER: ASTM A516 GR70/A216-WCB (STEEL)

FASTENERS: SAE GR.5 (STEEL)

INDICATOR: 316 SS FLAP&DRIP / PTFE FLUTTER, ROTOR, BALL  
 304/316 SS TRIM AVAILABLE

OPTIONAL ALLOYS FURNISHED UPON REQUEST

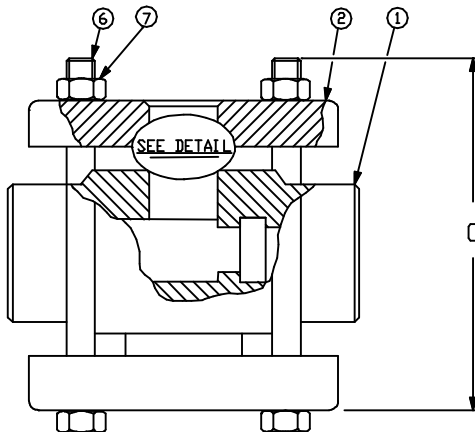


TYPICAL DETAIL

600# UNITS

P/T RATINGS

| TEMP F     | 600 PSIG MODELS |        |
|------------|-----------------|--------|
|            | STEEL           | 316 SS |
| -20 TO 100 | 600             | 600    |
| 150        | 600             | 600    |
| 200        | 600             | 600    |
| 250        | 600             | 600    |
| 300        | 600             | 600    |
| 350        | 600             | 600    |
| 400        | 600             | 600    |
| 450        | 600             | 600    |
| 500        | 600             | 600    |



DIMENSIONS

| PIPE SIZE     | A    |     | B    |    | C    |     | APPROX. WGT. |      |
|---------------|------|-----|------|----|------|-----|--------------|------|
|               | IN.  | mm  | IN.  | mm | IN.  | mm  | LBS.         | KGS. |
| 1/8 - 3/8     | 3.75 | 95  | 0.75 | 20 | 3.50 | 89  | 6            | 2.7  |
| 1/2 & 3/4     | 4.50 | 114 | 1.00 | 25 | 4.50 | 114 | 11           | 5.0  |
| 1             | 4.88 | 114 | 1.25 | 32 | 4.50 | 114 | 12           | 5.5  |
| 1-1/4 & 1-1/2 | 6.00 | 152 | 1.50 | 38 | 6.50 | 165 | 20           | 9.1  |
| 2             | 7.25 | 184 | 2.00 | 51 | 8.00 | 203 | 40           | 18.2 |