

MATERIAL: SEE B/M
 DRAWN: MBV CHECKED: DEP
 SCALE: NONE DATE: 12/01/00



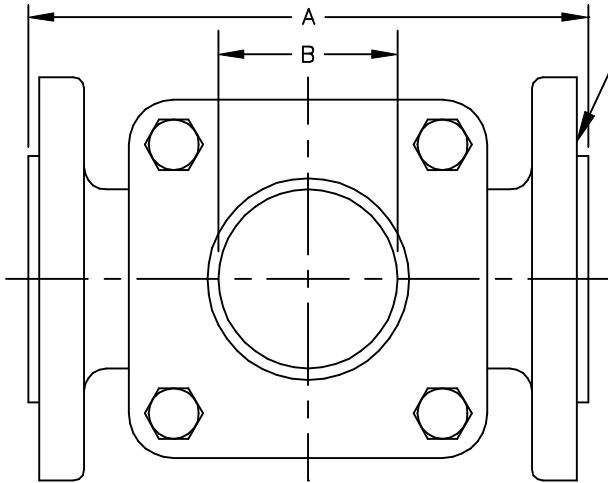
SIGHT FLOW INDICATOR
 W/ EXTERNAL IMPACT SHIELD

Section: T400
 Bulletin: T400.12
 Date: 12/01/00
 Supersedes: NEW

FILE NO.: T400-12.DWG

THIS DRAWING AND ALL INFORMATION ON IT IS THE PROPERTY OF JACOBY-TARBOX, DIVISION OF THE CLARK-RELIANCE CORPORATION. IT IS CONFIDENTIAL AND IS GIVEN TO YOU FOR A LIMITED PURPOSE AND MUST BE RETURNED UPON REQUEST. NEITHER THIS DRAWING NOR ANY PART OF IT NOR ANY INFORMATION CONCERNING IT MAY BE COPIED, EXHIBITED OR FURNISHED TO OTHERS NOR MAY PHOTOGRAPHS BE TAKEN OF ANY ARTICLE FABRICATED OR ASSEMBLED FROM THIS DRAWING WITHOUT CONSENT OF THE CLARK-RELIANCE CORPORATION.

FLANGE CONNECTION
 PER ASME B16.5
 AS SPECIFIED

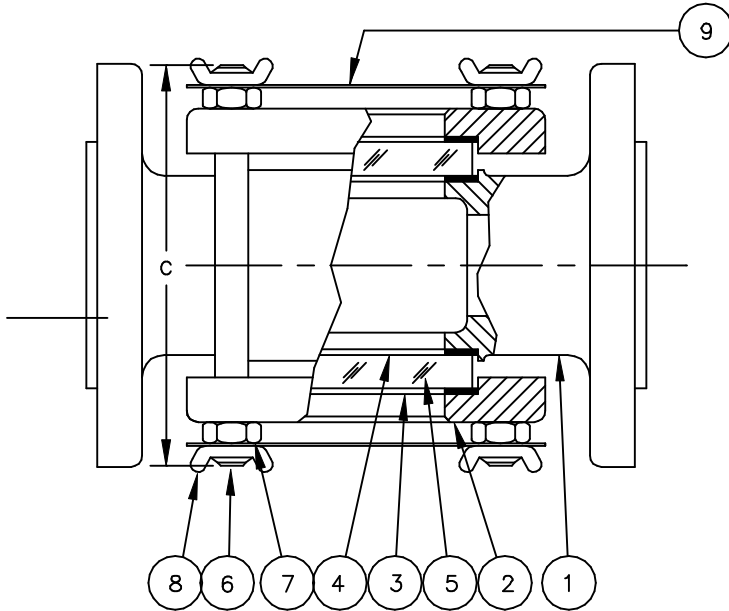


PARTS LIST

PIECE NO.	NAME OF PART	QUAN.	MATERIAL	COMMENT
1	BODY	1	SEE BELOW	
2	RETAINER	2	STEEL	
3	CUSHION	2	FIBER	
4	SEAL GASKET	2		
5	WINDOW	2	BOROSILICATE	
6	STUD	4	A193-B7	
7	NUT	8	A194-2H	
8	WING NUT	8	ZINC PLATED STL.	
9	SAFETY COVER	2	ACRYLIC	

SEE BASIC UNITS FOR MATERIALS

IMPACT SHIELDS MAY BE USED ON MODELS WITH CROSS-BOLTED RETAINERS



OPTIONS

- DUAL UNIGLAS WINDOWS
- FULL VIEW DUAL WINDOWS
- UNIGLAS WINDOW

Factory Mutual System
Approved

PIPE SIZE	DIMENSIONS						APPROX. WGT.
	A		B		C		
	IN.	MM	IN.	MM	IN.	MM	
1/2						KGS.	
3/4							
1	DEFINED BY CONFIGURATION CHOSEN						
1-1/4							
1-1/2							
3							