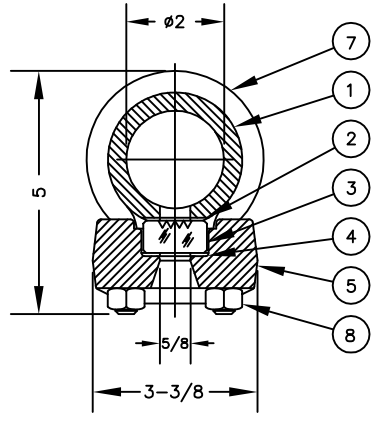
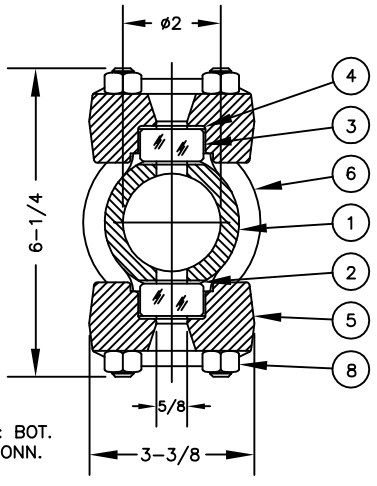
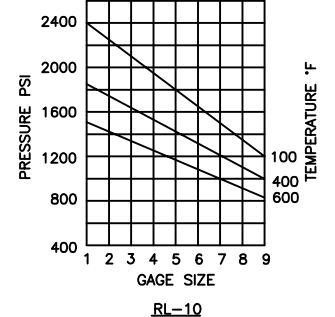
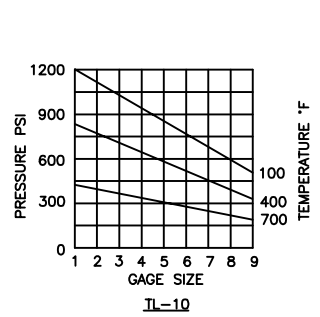


BILL OF MATERIAL

PIECE NO.	NAME OF PART	QTY.		MATERIAL	PART NO.	REMARKS
		T	R			
1	CHAMBER	1	1	STEEL	S-3476-A1	ASTM A513
	TRANS REFLEX				S-4666-A1	ASTM A513
2	GASKET			IFG5500	V-18980-	
3	GLASS	2/	1/	TEMPERED GLASS	V-16756-	
	TRANS REFLEX				V-16757-	
4	CUSHION			IFG5500	V-18980-	
5	COVER			STEEL	V-2M--A5	ASTM A105
6	BOLT			ALLOY STL	P-2519-B71	ASTM A193
7	U-BOLT			ALLOY STL	P-1082-B71	ASTM A193
8	NUT			STEEL	V-11062-2HA	ASTM A194
9	RATING TAG	1		SS	V-16343-	
	RATING TAG		1	SS	V-16342-	
10	PACK. (SPLIT RING)	4		GPH/NICR	G-143	
11	PACKING RING	2		STEEL	P-254-17-A6	ASTM A108
12	BUSHING	2		STEEL	P-3456-A6	ASTM A108
13	TUBE CONNECTION	2		STEEL	P-3453-A6	ASTM A108
14	1/4" DIA. TUBING	1		STEEL	P-2197-A6	
15	TUBE FITTING	2		STEEL	S-1774-A	



- NOTES:
 1. FOR TL-CH-10 BACK CONNECTED GAGES ADD 1-1/4" TO STD. CENTERS.
 2. EXTENDED CENTERS AVAILABLE ON SPECIAL ORDER.

SIZE NO.	QTY. PER SECT.			DIM. "C" IN INCHES	NUMBER OF SECTIONS								
	BOLT	U-BOLT	NUT		DIMENSION "B" IN INCHES								
					1	2	3	4	5	6	7	8	9
1	6	3	6	3 3/4	3 3/4	9	14 1/4	19 1/2	24 3/4	30	35 1/4	40 1/2	45 3/4
2	6	3	6	4 3/4	4 3/4	11	17 1/4	23 1/2	29 3/4	36	42 1/4	48 1/2	54 3/4
3	8	4	8	5 3/4	5 3/4	13	20 1/4	27 1/2	34 3/4	42	49 1/4	56 1/2	63 3/4
4	10	5	10	6 3/4	6 3/4	15	23 1/4	31 1/2	39 3/4	48	56 1/4	64 1/2	72 3/4
5	10	5	10	7 7/8	7 7/8	17 1/4	26 5/8	36	45 3/8	54 3/4	64 1/8	73 1/2	82 7/8
6	12	6	12	9 1/8	9 1/8	19 3/4	30 3/8	41	51 5/8	62 1/4	72 7/8	83 1/2	94 1/8
7	14	7	14	10 1/4	10 1/4	22	33 3/4	45 1/2	57 1/4	69	80 3/4	92 1/2	104 1/4
8	16	8	16	11 7/8	11 7/8	25 1/4	38 5/8	52	65 3/8	78 3/4	92 1/8	105 1/2	118 7/8
9	16	8	16	12 5/8	12 5/8	26 3/4	40 7/8	55	69 1/8	83 1/4	97 3/8	111 1/2	125 5/8

9	CHANGED COVER PART NO.	1/10/02	
8	REDRAWN & UPDATED	7/12/96	
7	REDRAWN & UPDATED	3/15/96	
6	REDRAWN & UPDATED	7/8/92	
SYM	REVISION	DATE	APP

SERIES TL-CH-10 GAGES
 INT. HEATED-COOLED

JERGUSON
 GAGE & VALVE CO.
 STRONGSVILLE, OHIO, U.S.A.

DRAWN TAP	FILE NO.
CHECKED MJK	DRAWING NO.
APPROVED	T10L-CH06
SCALE NONE	DATE 1/10/02
	REV. 9