



# JACOBY-TARBOX®

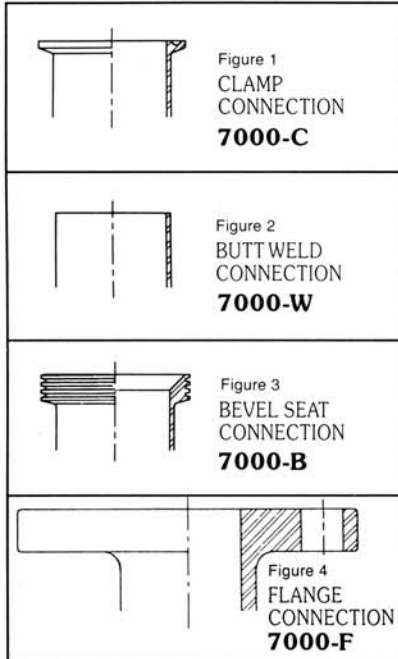
A Product Line of The Clark-Reliance Corporation

Over 80 years of Quality!



## Sight Flow Indicators Tru-San™ 7000: Sanitary USDA Dairy Accepted

Section: T100  
Bulletin: T100.55  
Date: 8/03  
Supersedes: T100.55 (98)



### LARGE-AREA VIEWING OF LIQUID, POWDER AND BULK SOLID SYSTEM FLOWS. CONTAMINATION-FREE.

Jacoby-Tarbox TRU-SAN 7000 Sight Flow Indicators are manufactured specifically for food handling, pharmaceutical and other processing systems demanding cleanliness and maximum sanitary conditions.

All TRU-SAN 7000 indicators comply with 3-A Fittings Standards and will provide excellent, clear, and distant viewing of liquids, powders and many bulk solids. *These are the industry's first optical cylinder style sight flow indicators to earn the "USDA Dairy Accepted" designation.*

These are also the industry's first sight flow indicators to be authorized by the 3A Sanitary Standards Council to affix the 3A logo.

Viewing is direct from anywhere within a 360° radius. Depending on system media and flow rates, viewing from relatively distant locations is possible, as compared with bull's-eye style indicators presented in the Bulletin for TRU-SAN 6500.

### GASKET SPECIFICATION GUIDE • TRU-SAN™ 7000 INDICATORS

At 150 PSIG (10.3 BAR)

GASKET MATERIAL	SPECIFICATION CODE	MAXIMUM TEMPERATURE	
Buna, Black	BN	250°F	121°C
Buna, White	BNW	250°F	121°C
EPDM	EP	250°F	121°C
Viton	V	350°F	177°C
PTFE	D	450°F	232°C
Silicone	J	450°F	232°C
Polyethylene	P	180°F	82°C

UNITS WITH ACRYLIC WINDOWS: MAX. TEMPERATURE 180° F (82° C)

### MODEL SELECTION OFFERS CHOICES IN SIZE, CONNECTIONS, CYLINDER AND GASKETS

**Standard & Special Sizes** Standard sizes (Tubing ODs) are 1", 1½", 2", 2½", 3", and 4". For Schedule 5 pipe, consult factory.

#### Choice Of Connections

Adaptability to virtually any system is assured by a choice of four indicator connection styles: sanitary clamp, butt weld, bevel seat or flange.

### Quality Construction Materials

TRU-SAN 7000 indicators are manufactured with all stainless steel metal components. Stainless steel heads are finished to 150 grit (32 Ra) or better for smooth, easy-to-clean surfaces. Optical cylinders are available in either borosilicate glass or acrylic.

### Gaskets to Match Applications

TRU-SAN 7000 models feature white Buna gaskets as standard. Other gasket materials are available and should be carefully specified to match system temperatures and media. Note the Gasket Specification Guide provided.

## TRU-SAN™ 7000: DIMENSIONS

Standard Tube OD (In.)	A* Inches (mm)	B Inches (mm)	C Inches (mm)
1	5.75 (146)	3.75 (95)	3.00 (76)
1½	5.75 (146)	3.75 (95)	3.00 (76)
2	5.75 (146)	4.00 (102)	3.00 (76)
2½	6.38 (162)	4.75 (121)	3.00 (76)
3	6.50 (165)	5.50 (140)	3.00 (76)
4	7.25 (184)	6.88 (175)	3.00 (76)

\*Dimensions given are for Clamp and Butt weld units only. For Bevel Seat and Flange unit dimensions, consult factory.

- ① – Heads: 304 Stainless Steel, Optional 316L Stainless Steel, Standard
- ② – Gasket: Various (See Table)
- ③ – Cylinder: Borosilicate Glass (Maximum 450°F) Acrylic (Maximum 180°F)
- ④ – Spacer: 316L Stainless Steel
- ⑤ – Bolts: 316 Stainless Steel

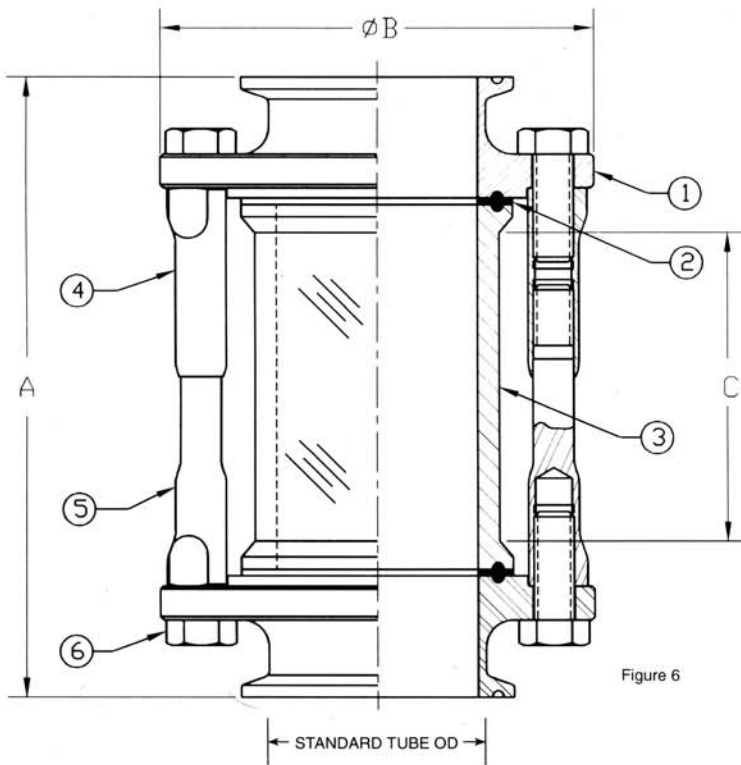


Figure 6

### INSTALLATION AND APPLICATION DATA

TRU-SAN 7000 Sight Flow Indicators are designed specifically for sanitary system applications. However, the extended viewing area achieved with the "optical cylinder" design mandates that these models be installed in sanitary systems where mechanical strains on pipe lines are not present. Although better adapted to vertical installation, TRU-SAN 7000 models can be installed horizontally as well.

### HOW TO SPECIFY TRU-SAN™ 7000 SIGHT FLOW INDICATORS

Specifying the TRU-SAN 7000 model to meet your system requirements is facilitated by determining the following application information:

- Indicator Model Size: 1" - 1½" - 2" - 2½" - 3" - 4"
- Connection Type: Clamp - Butt Weld - Bevel Seat - Flange
- Gasket Type: (See Specification Guide Provided)
- Window Material: Borosilicate Glass • Acrylic
- Authorization: 3A per standard 65-00
- USDA Acceptance

NOTE: Jacoby-Tarbox shall not be liable for damages of any kind resulting in part from failure to install its products in accordance with all applicable codes and/or state and local regulations, improper application and/or maintenance.



**JACOBY-TARBOX®**

A Product Line of The Clark•Reliance® Corporation  
16633 Foltz Industrial Parkway, Strongsville, OH 44149 USA  
Telephone: (440) 572-1500 Fax: (440) 238-8828

