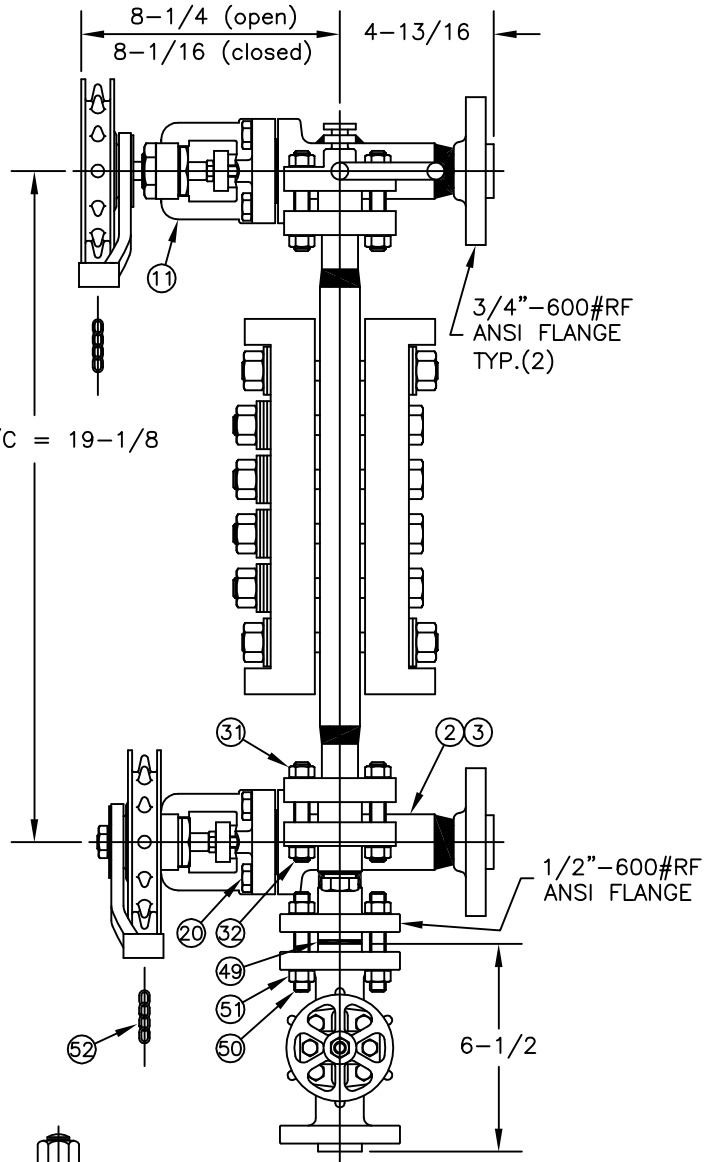
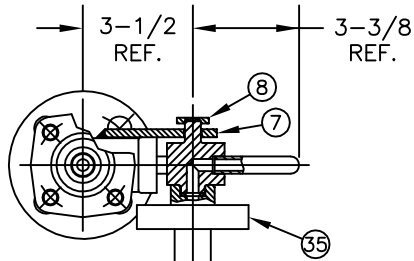
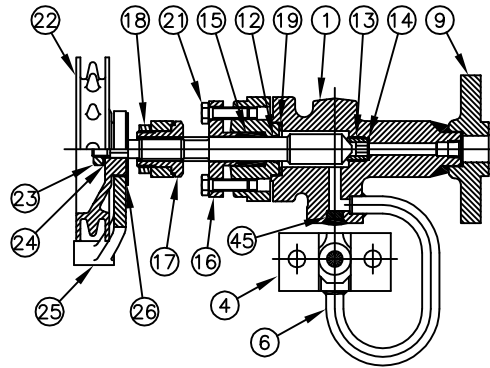


SECTION X-X



MIN. C/C = 19-1/8

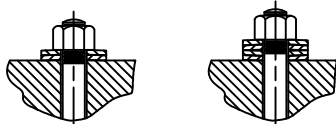
VIS. GLASS = 10-1/8

4-1/2 MIN.

3-1/16

1/8

6-5/8 REF. (open)



WASHER STACK UNDER EACH STUD NUT WASHER STACK UNDER EACH BOLT NUT

DETAIL OF WASHER STACKS

	5 REDRAWN & UPDATED	9/04	MJK
	4 REDRAWN ON CAD	3/02	DMD
SYM	REVISION	DATE	APP

#1011B BOILER
WATER GAGE ASSEMBLY
FOR 1100# W.S.P.

JERGUSON
GAGE & VALVE CO.
STRONGSVILLE, OHIO, U.S.A.

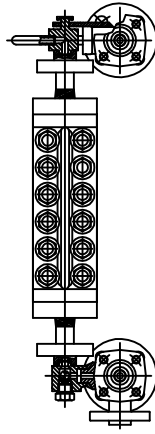
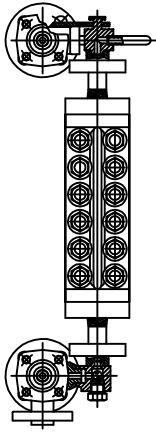
DRAWN MJK
CHECKED DMD
APPROVED

FILE NO.
DRAWING NO.
SG-1011B
(pg.1 of 2)
REV. 5

SCALE NONE DATE 9/30/04

BILL OF MATERIAL

PIECE NO.	NAME OF PART	QTY.	MATERIAL	PART NO.
1	TOP VALVE BODY	1	STEEL	L-847-A5
2	BOT. VALVE BODY RH	1	STEEL	L-848-A5
3	BOT. VALVE BODY LH	1	STEEL	L-849-A5
4	TOP GAGE CONN.	1	STEEL	V-3389U-B
5	BOTTOM GAGE CONN.	1	STEEL	V-6624U-B
6	EXPANSION LOOP	1	STEEL	V-9880-AXS
7	SUPPORT BRACKET	1	STEEL	V-9882-A6
8	WELDING CAP	1	STEEL	P-3968-A6
9	3/4"-600#RFSW FLG	2	STEEL	FA5-6-1-3D1P
10	1/2"-600#RF FLG	1	STEEL	V-9129U-A5
11	YOKE	2	STEEL	L-220-B
12	VALVE STEM	2	416 SS	V-15889-U
13	VALVE SEAT	2	416 SS TREATED	P-343-U3
14	VALVE SEAT GASKET	2	STEEL	P-33-1-A1
15	PACKING	24	GRAPHITE	G-264
16	PACKING GLAND	2	STEEL	V-18257-4-AL4
17	BUSHING	2	BRASS	P-5946-F4
18	BUSHING NUT	2	STEEL	P-5665-A6
19	SPIRAL GASKET	2	316/CHLOROCARB	P-5643-T
20	CAP SCREW	8	STEEL	P-6475-B71
21	CAP SCREW	4	STEEL	P-5729-B71
22	SPROCKET RIM	2	ALUMINUM	V-5237-E8
23	VALVE STEM NUT	2	STEEL	P-78-4-2HA
24	SPACER WASHER	2	STEEL	P-5457-A
25	CHAIN GUIDE	2	ALUMINUM	V-5238-E8
26	RETAINING WASHER	2	304 SS	P-4917-R
27	BALL HOLDER	1	303 SS	P-2-Q3
28	BALL HOLDER GASKET	1	STEEL	P-33-4-A1
29	BALL CHECK	1	316 SS	P-1-T2
30	NAME PLATE	2	BRASS	P-6211-F
31	NUT	8	STEEL	P-235-2-2HA
32	STUD	4	STEEL	P-4008-1-B71
33	CHAMBER	1	STEEL	V-12370U-A6
34	FLANGED NIPPLE	2	STEEL	V-12369- -A6
35	LOOSE FLANGE	2	STEEL	V-8382-A6
36	GASKET	2	GRAFOIL	V-13488-7
37	SHIELD	2	MICA	P-8092-7
38	GLASS (TRANS)	2	TEMPERED BORO	V-16758-7
39	CUSHION	2	IFG5500	V-19087-7
40	COVER	2	STEEL	V-12367-AL4
41	STUD	4	STEEL	P-3998-4-B71
42	BOLT	8	STEEL	V-12403-B71
43	SPRING WASHER	48	SPRING STEEL	V-15697-J1
44	NUT	16	STEEL	P-8366-2HA
45	WELDING PLUG	1	STEEL	P-7612-A6
46	SPIRAL GASKET	2	304/CHLOROCARB	P-5198
47	NAME PLATE	1	BRASS	P-7566-F
48	DRAIN VALVE	1	STEEL	A-16376
49	SPIRAL GASKET	1	316/FLEXICARB	P-257-T
50	STUD	4	STEEL	P-4008-1-B71
51	NUT	8	STEEL	P-1866-2HA
52	HANDCHAIN	2	SEE NOTE 5	P-3924



L.H. VALVE AND
GAGE ASSEMBLY

R.H. VALVE AND
GAGE ASSEMBLY

EQUIPMENT SHOWN MEETS ASME CODE AND
ABS REGULATIONS

NOTES:

- TO ORDER AN 1100# GAGE, SPECIFY #1016B AND CENTER-TO-CENTER. WHEN ORDERING VALVES, SPECIFY TYPE, GROUP AND HANDING.
EX.1) TO ORDER AN 1100# WSP TOP L.H. VALVE, SPECIFY 7011B-4-L.H.
EX.2) TO ORDER AN 1100# WSP BOT. R.H. VALVE, SPECIFY 7111B-4-R.H.
- WHEN ORDERING A COMPLETE ASSEMBLY AS SHOWN (VALVES HAVE 3/4"-600# ANSI FLANGED TANK CONN. AND 1/2"-600# ANSI FLANGED DRAIN CONN.), SPECIFY DRAWING NO., VISIBILITY, CENTER-TO-CENTER AND HANDING.
- GAGE HYDROSTATICALLY TESTED @ 2400 PSI. VALVES HYDROSTATICALLY TESTED @ 2175 PSI.
- WEIGHTS: TOP SHUTOFF VALVE ~ 18#, BOTTOM SHUTOFF VALVE ~ 19#
DRAIN VALVE ~ 7-1/2#, GAGE ~ 62#
- HANDCHAIN SUPPLIED WITH VALVES (TWO PIECES, 10'-00" LONG EACH).

			#1011B BOILER WATER GAGE ASSEMBLY FOR 1100# W.S.P.	JERGUSON GAGE & VALVE CO. STRONGSVILLE, OHIO, U.S.A.	DRAWN MJK	FILE NO.
5 REDRAWN & UPDATED	9/04	MJK			CHECKED DMD	DRAWING NO. SG-1011B
4 REDRAWN ON CAD	3/02	DMD		APPROVED	(pg.2 of 2)	
SYM	REVISION	DATE	APP	SCALE NONE	DATE 9/30/04	REV. 5