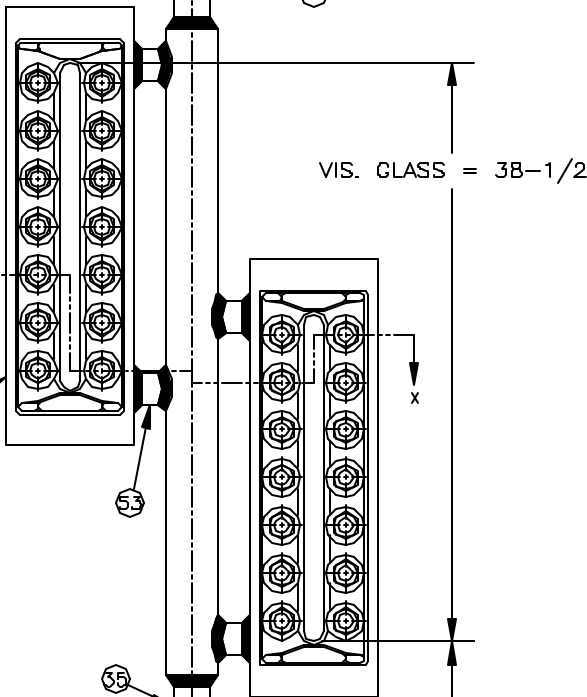
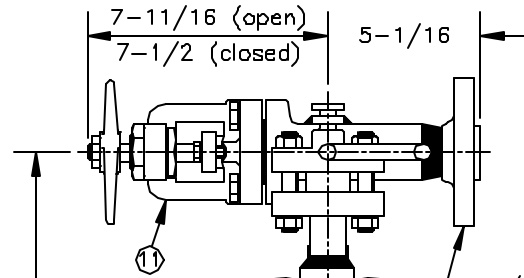
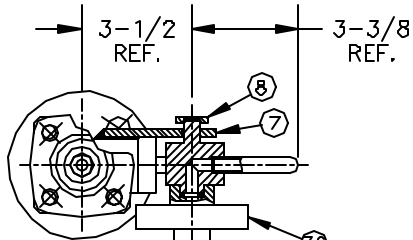
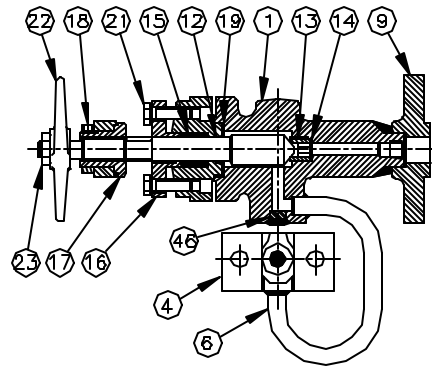
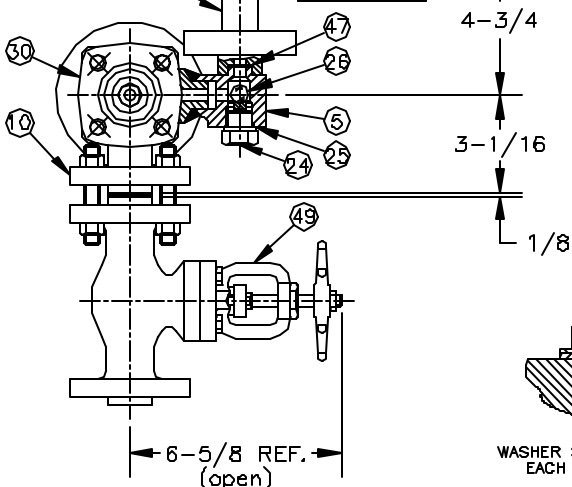
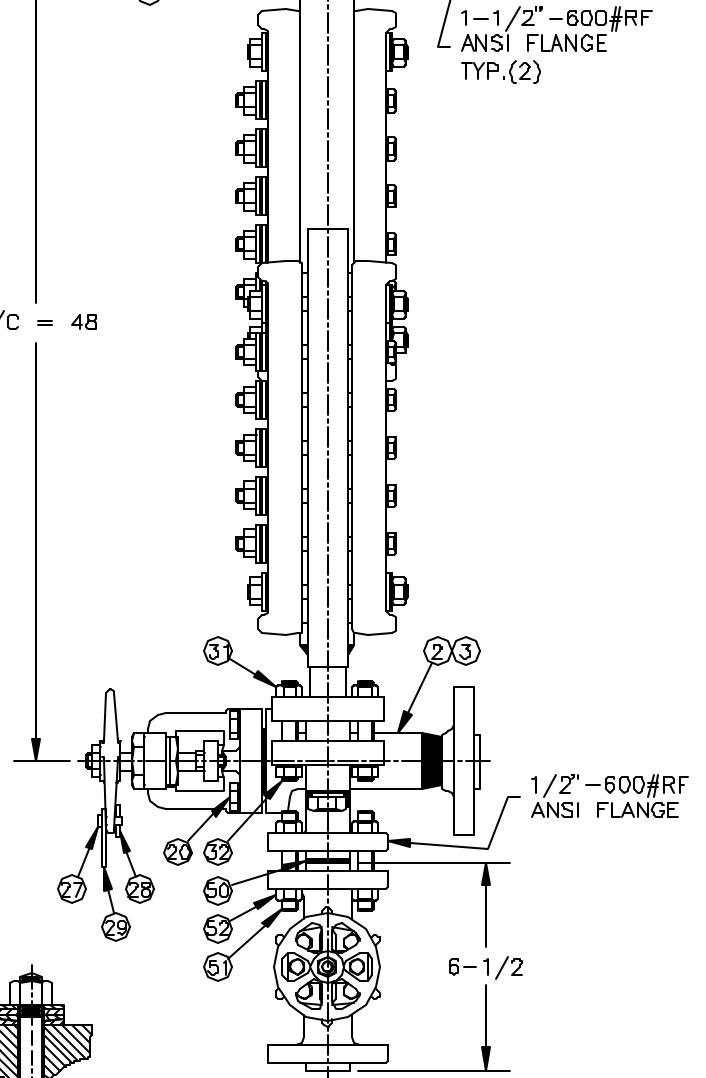


SECTION X-X



C/C = 48



WASHER STACK UNDER EACH STUD NUT
WASHER STACK UNDER EACH BOLT NUT

DETAIL OF WASHER STACKS

NOTE: (2) SECTION GAGE SHOWN HERE FOR ILLUSTRATION PURPOSES SEE PG.2 FOR SCALED-DOWN VERSION OF ACTUAL (4) SECTION GAGE.

#389B BOILER
WATER GAGE ASSEMBLIES
FOR 900# W.S.P.

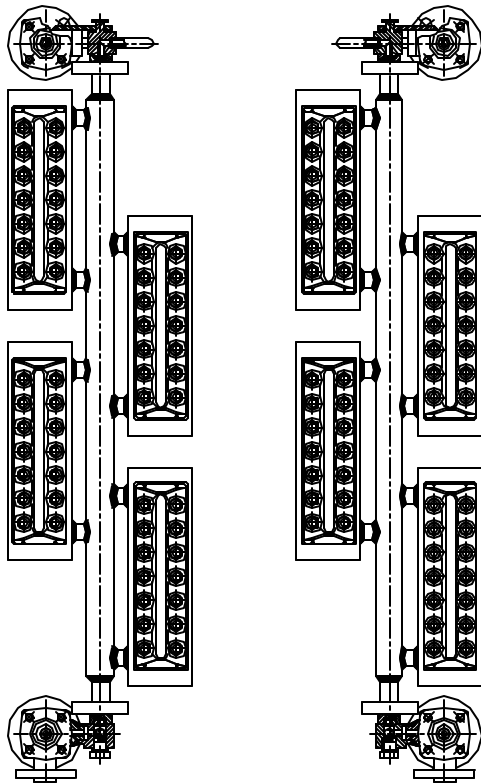
JERGUSON
GAGE & VALVE CO.
STRONGSVILLE, OHIO, U.S.A.

DRAWN
MJK
CHECKED
DMD
APPROVED

FILE NO.
DRAWING NO.
SG-389B
(pg.1 of 2)
REV. 5

SYM	REVISION	DATE	APP

SCALE NONE DATE 1/5/00



L.H. VALVE AND
GAGE ASSEMBLY

R.H. VALVE AND
GAGE ASSEMBLY

EQUIPMENT SHOWN MEETS ASME CODE AND
ABS REGULATIONS

BILL OF MATERIAL

PIECE NO.	NAME OF PART	QTY.	MATERIAL	PART NO.
1	TOP VALVE BODY	1	STEEL	L-847-A5
2	BOT. VALVE BODY RH	1	STEEL	L-848-A5
3	BOT. VALVE BODY LH	1	STEEL	L-849-A5
4	TOP GAGE CONN.	1	STEEL	V-3389U-B
5	BOTTOM GAGE CONN.	1	STEEL	V-6624U-B
6	EXPANSION LOOP	1	STEEL	V-9880-AXS
7	SUPPORT BRACKET	1	STEEL	V-9882-A6
8	WELDING CAP	1	STEEL	P-3968-A6
9	1-1/2" -600#RFSW	2	STEEL	FA5-6-41-8D1P
10	1/2" -600#RF FLG	1	STEEL	V-9129U-A5
11	YOKE	2	STEEL	L-220-B
12	VALVE STEM	2	416 SS	V-13302-U3
13	VALVE SEAT	2	416 SS TREATED	P-343-U3
14	VALVE SEAT GASKET	2	STEEL	P-33-1-A1
15	PACKING	24	GRAPHITE	G-264
16	PACKING GLAND	2	STEEL	V-18257-4-AL4
17	BUSHING	2	BRASS	P-6316-F4
18	BUSHING NUT	2	STEEL	P-5665-A6
19	SPIRAL GASKET	2	316/CHLOROCARB	P-5643-T
20	CAP SCREW	8	STEEL	P-6475-B71
21	CAP SCREW	4	STEEL	P-5729-B71
22	LEVER	2	STEEL	P-336-A16
23	VALVE STEM NUT	2	STEEL	P-78-4-2HA
24	BALL HOLDER	1	303 SS	P-2-Q3
25	BALL HOLDER GASKET	1	STEEL	P-33-4-A1
26	BALL CHECK	1	316 SS	P-1-T2
27	PIN	1	STEEL	P-1977-A
28	COTTER PIN	1	STEEL	P-28-A1
29	EQUALIZING PLATE	1	STEEL	P-1900-A1
30	NAME PLATE	2	BRASS	P-6211-F
31	NUT	8	STEEL	P-235-2-2HA
32	STUD	4	STEEL	P-4008-1-B71
33	CHAMBER	4	STEEL	V-14158U-A6
34	CENTER TUBE	1	STEEL	
35	FLANGED NIPPLE	2	STEEL	V-14195- -A6
36	LOOSE FLANGE	2	STEEL	V-5094-B
37	GASKET	8	GRAFOIL	V-13488-7
38	SHIELD	8	MICA	P-4452-7
39	GLASS (TRANS)	8	TEMPERED BORO	V-16756-7
40	CUSHION	8	IFG5500	V-18980-7
41	COVER	8	STEEL	V-12365-AL4
42	STUD	16	STEEL	P-3378-6-B71
43	BOLT	40	STEEL	P-263-B71
44	SPRING WASHER	224	SPRING STEEL	V-15528-J1
45	NUT	72	STEEL	V-11062-2HA
46	WELDING PLUG	1	STEEL	P-7612-A6
47	SPIRAL GASKET	2	304/CHLOROCARB	P-5198
48	NAME PLATE	1	BRASS	P-7566-F
49	DRAIN VALVE	1	STEEL	A-16376
50	SPIRAL GASKET	1	316/FLEXICARB	P-257
51	STUD	4	STEEL	P-4008-1-B71
52	NUT	8	STEEL	P-235-2-2HA
53	WELD PLUG	8	STEEL	V-18234-A11

NOTES:

- GAGE HYDROSTATICALLY TESTED @ 1350 PSI. VALVES HYDROSTATICALLY TESTED @ 2175 PSI.
- WEIGHTS: TOP SHUTOFF VALVE ~ 18#, BOTTOM SHUTOFF VALVE ~ 19#
DRAIN VALVE ~ 7-1/2#, GAGE ~ 205#
- HANDCHAIN FOR VALVES SUPPLIED ONLY WHEN SPECIFIED ON CUSTOMER'S PURCHASE ORDER. SEE DWG. GD-1582 FOR CHAIN KIT.

				#389B BOILER WATER GAGE ASSEMBLIES FOR 900# W.S.P.		JERGUSON GAGE & VALVE CO. STRONGSVILLE, OHIO, U.S.A.		DRAWN MJK CHECKED OMD APPROVED	FILE NO. DRAWING NO. SG-389B (pg.2 of 2)
SYM	REVISION	DATE	APP	SCALE NONE	DATE 1/5/00			REV. 5	