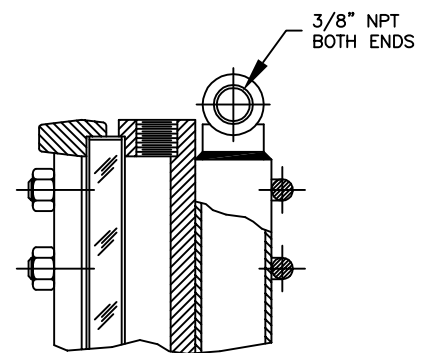
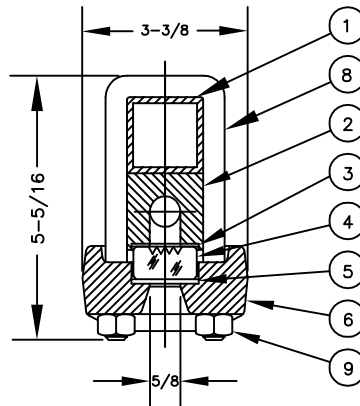
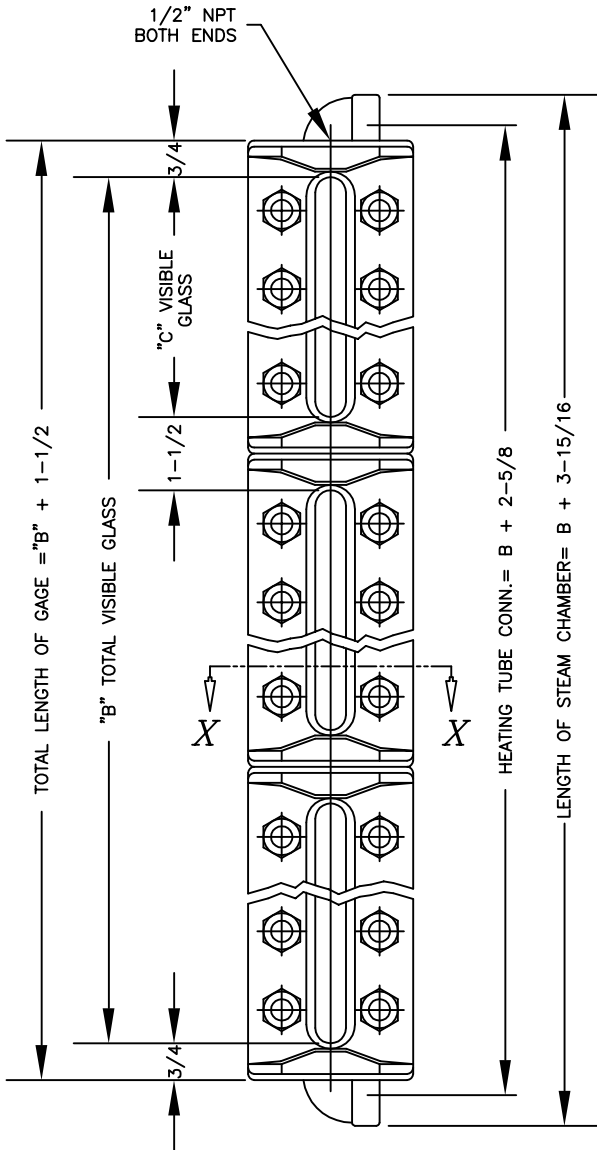
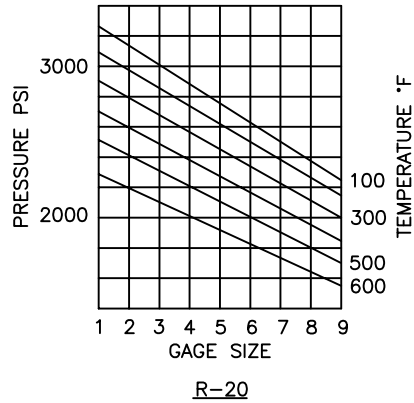


BILL OF MATERIAL

PIECE NO.	NAME OF PART	QTY.	MATERIAL	PART NO.	REMARKS
1	CHAMBER (STEAM)	1	STEEL	S-11945- -A44	ASTM A696
2	CHAMBER REFLEX	1	STEEL	V-786- -A44	ASTM A696
3	GASKET	1 / SECT.	IFG5500	V-18980-	
4	GLASS		TEMPERED GLASS	V-16757-	
5	CUSHION		IFG5500	V-18980-	
6	COVER	SEE CHIT.	STEEL	V-2- -A5	ASTM A105
7	U-BOLT		ALLOY STL	P-1446-B71	ASTM A193
8	NUT	1	STEEL	V-11062-2HA	ASTM A194
9	RATING TAG	1	SS	V-16341-	

MAX. STEAM RATING FOR SERIES 20 GAGES IS 300 W.S.P.



SECTION X-X
SERIES RH-20

SIZE NO.	QTY. PER SECT.		DIM. "C" IN INCHES	NUMBER OF SECTIONS									
	U-BOLT	NUT		DIMENSION "B" IN INCHES									
				1	2	3	4	5	6	7	8	9	
1	3	6	3 3/4	3 3/4	9	14 1/4	19 1/2	24 3/4	30	35 1/4	40 1/2	45 3/4	
2	3	6	4 3/4	4 3/4	11	17 1/4	23 1/2	29 3/4	36	42 1/4	48 1/2	54 3/4	
3	4	8	5 3/4	5 3/4	13	20 1/4	27 1/2	34 3/4	42	49 1/4	56 1/2	63 3/4	
4	5	10	6 3/4	6 3/4	15	23 1/4	31 1/2	39 3/4	48	56 1/4	64 1/2	72 3/4	
5	5	10	7 7/8	7 7/8	17 1/4	26 5/8	36	45 3/8	54 3/4	64 1/8	73 1/2	82 7/8	
6	6	12	9 1/8	9 1/8	19 3/4	30 3/8	41	51 5/8	62 1/4	72 7/8	83 1/2	94 1/8	
7	7	14	10 1/4	10 1/4	22	33 3/4	45 1/2	57 1/4	69	80 3/4	92 1/2	104 1/4	
8	8	16	11 7/8	11 7/8	25 1/4	38 5/8	52	65 3/8	78 3/4	92 1/8	105 1/2	118 7/8	
9	8	16	12 5/8	12 5/8	26 3/4	40 7/8	55	69 1/8	83 1/4	97 3/8	111 1/2	125 5/8	

7	SHOW COVER SHROUDS	1/10/02	
6	REDRAWN & UPDATED	7/12/96	
5	REDRAWN & UPDATED	3/15/96	
4	REDRAWN & UPDATED	7/7/92	
SYM	REVISION	DATE	APP

RH-20 GAGES
EXT. HEATED-COOLED

JERGUSON
GAGE & VALVE CO.
STRONGSVILLE, OHIO, U.S.A.

DRAWN TAP	FILE NO.
CHECKED MJK	DRAWING NO.
APPROVED	RH-20-40
	REV. 7

SCALE NONE DATE 1/10/02