

High Pressure Filter

Pi 422/Pi 4220

Nominal pressure 400 bar/NG 150, 300, 450/NG 160, 250, 400
according to DIN 24 550

1. Features

Efficient filter for modern hydraulik systems

- Modular design
- Compact design
- Almost zero pressure loss due to flow-optimized design of components
- Optical/electrical/ electronic contamination indicator

Quality filters, easy to service

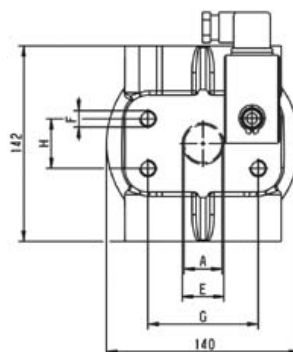
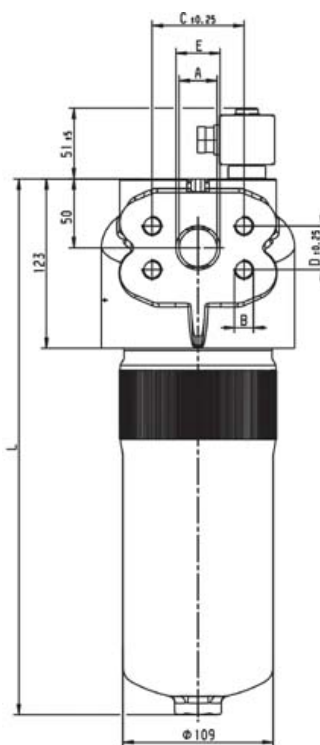
- Equipped with highly efficient Smx-filter elements
- β -valued elements per ISO 4572
- High differential pressure stability and dirt holding capacity of the cartridges for optimum operating lifetime

Worldwide distribution



2. Specifications

Design:	inline filter, entry on side, exit on side, optionally on top
Operating pressure:	400 bar
Test pressure:	520 bar
Temperature range:	-10 °C to +120 °C (other temperatures on request)
Bypass opening pressure:	Δp 7 bar
Filter head material:	GGG
Filter bowl material:	St
Seal material:	NBR
Switch point of optical/ electrical differential gauge:	Δp 5 bar
Electrical data of contamination indicator:	
Maximum voltage:	230 V~/=
Maximum switching current:	2.5 A
Maximum switching capacity:	60 VA / 40 W
Short-time switch-on capacity:	70 VA
Type of protection:	IP 65 when inserted and secured
Contact:	normally open/normally closed
Cable connection:	PG 11 \varnothing 6-10



The switching function can be inverted by connecting the electrical part the other way round (normally closed or normally open contact if the differential pressure increases). Owing to the switch-on capacity of the 70 VA, the indicator is also suitable for controlling small contactors or contactor relays.

Examine the possibility of quenching elements if there is inductance in the DC circuits.

For more information and a detailed description, refer to our contamination indicator brochure!

The standard version can be used for mineral oil-based liquids. Please ask for advice prior to using other media.

3. Dimensions

All dimensions in mm, except connections and some A dimensions.

	Connections	A	B	C	D	E	F	G	H	L
Pi 42215	G 1½	G 1½	-	-	-	\varnothing 66	M 10	88.9	42.9	295
	SAE 1¼	32	M 14	66.6	31.8	-	M 14	66.6	31.8	
Pi 42230	G 1½	G 1½	-	-	-	\varnothing 66	M 10	88.9	42.9	399
	SAE 1¼	32	M 14	66.6	31.8	-	M 14	66.6	31.8	
Pi 42245	G 1½	G 1½	-	-	-	\varnothing 66	M 10	88.9	42.9	515
	SAE 1½	38	M 16	79.3	36.5	-	M 16	79.3	36.5	

Size 300, 450 with G ¼ drain plug to DIN 910

Technical data subject to change without notice!

MAHLE Filtersysteme GmbH, Industriefiltration, Schleifbachweg 45, D-74613 Öhringen, Phone +49 (0) 7941/67-0, Fax +49 (0) 7941/67-23429, industriefiltration@mahle.com, www.mahle-industriefiltration.com 70328619.01/2007