

### Duplex Filter

### Pi 210

Operating pressure 25/63 bar, Nominal size up to 450

#### 1. Features

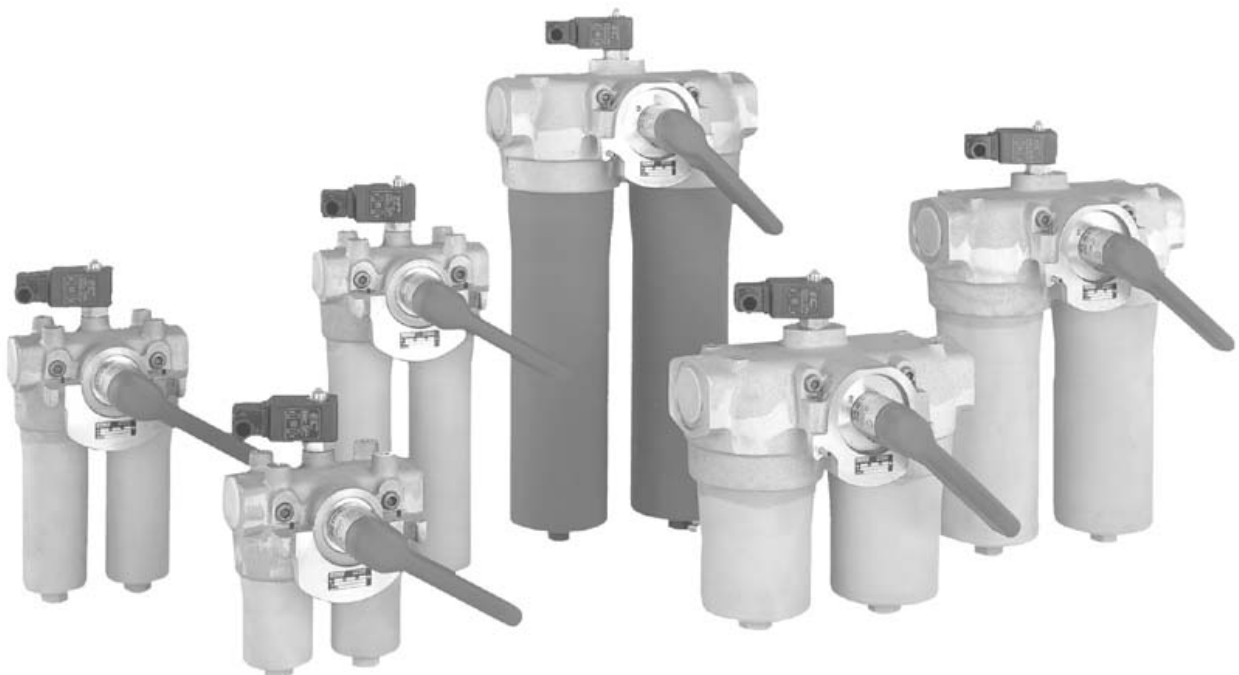
##### Efficient filters for modern hydraulic systems

- Modular design principle
- Compact design
- Minimal pressure drop
- Optical/electrical/electronic contamination control
- Threaded or SAE 4 bolt flange connection
- Switching valve on upstream side
- Ergonomic switch-over handle with safety lock and pressure compensation
- User-optimized one-hand-operation

##### Quality filters, easy to service

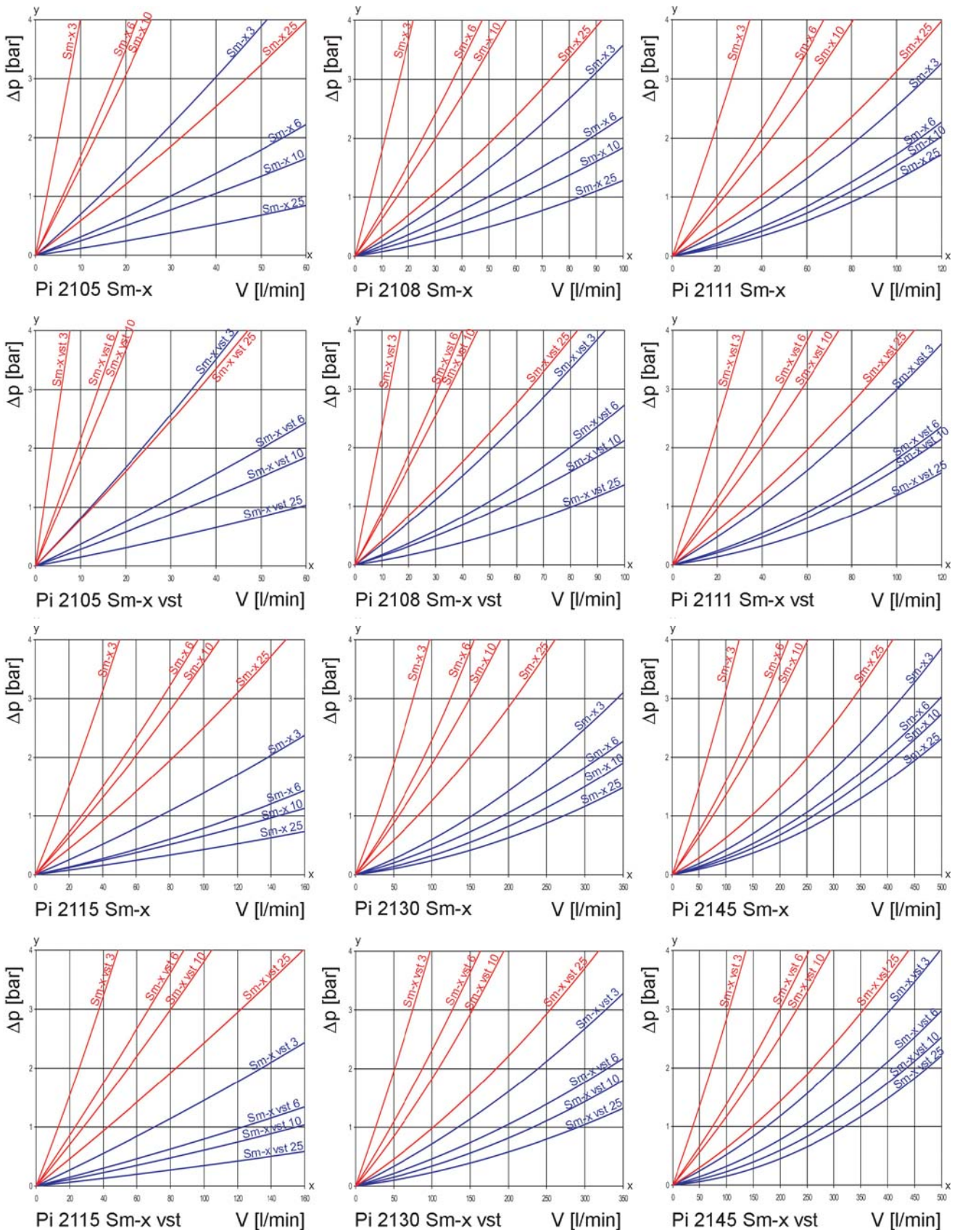
- Equipped with highly efficient Sm-x filter elements
- $\beta$ -valued elements per ISO 16889
- High dirt holding capacity and differential pressure stability providing optimal element service life

##### Worldwide distribution



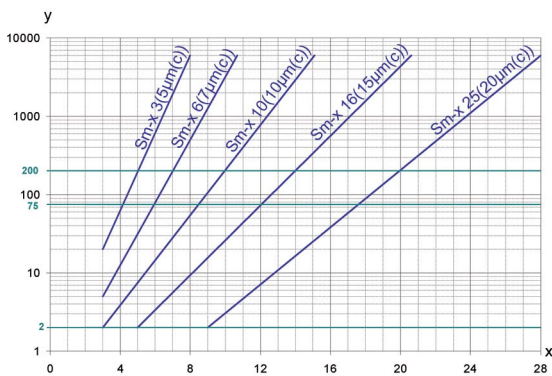
## 2. Flow rate/pressure drop curve complete filter

■ 190 mm<sup>2</sup>/s (25° E)  
■ 33 mm<sup>2</sup>/s (4,5° E)



y = differential pressure  $\Delta p$  [bar]  
 x = flow rate  $V$  [l/min]

### 3. Separation characteristics



y = beta-ratio  
x = particle size [ $\mu\text{m}$ ]

determined by multipass tests (ISO 16889)  
calibration according to ISO 11171 (NIST)

### 4. Filter performance data

measured according to ISO 16889 (multipass test)

Sm-x elements with  
 $\Delta p$  20 bar

Sm-x 3  $\beta_{5(C)} \geq 200$   
Sm-x 6  $\beta_{7(C)} \geq 200$   
Sm-x 10  $\beta_{10(C)} \geq 200$   
Sm-x 16  $\beta_{15(C)} \geq 200$   
Sm-x 25  $\beta_{20(C)} \geq 200$

up to 10 bar differential  
pressure

Sm-x vst elements with  
 $\Delta p$  210 bar

Sm-x 3  $\beta_{5(C)} \geq 200$   
Sm-x 6  $\beta_{7(C)} \geq 200$   
Sm-x 10  $\beta_{10(C)} \geq 200$   
Sm-x 16  $\beta_{15(C)} \geq 200$   
Sm-x 25  $\beta_{20(C)} \geq 200$

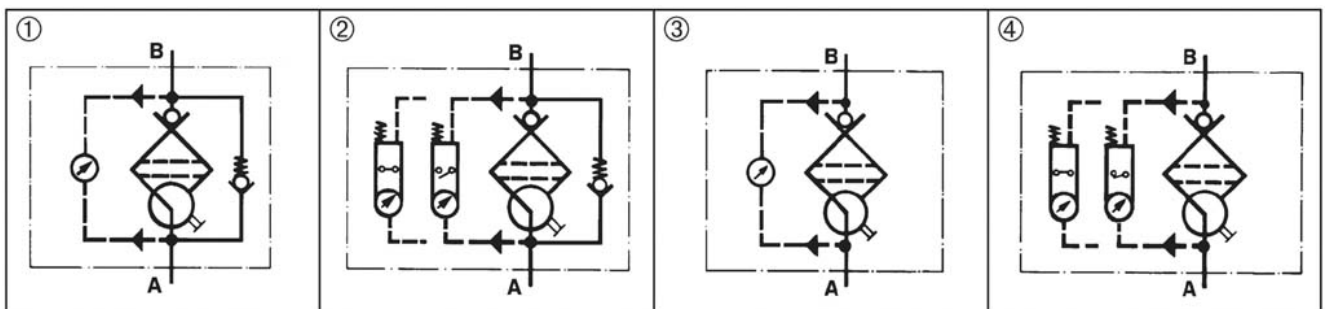
up to 20 bar differential  
pressure

### 5. Quality assurance

MAHLE filter and filter elements are manufactured respectively, tested in accordance with the following international standards:

Norm	Designation
DIN ISO 2941	Hydraulic fluid power filter elements; verification of collapse/burst resistance
DIN ISO 2942	Hydraulic fluid power filter elements; verification of fabrication integrity
DIN ISO 2943	Hydraulic fluid power filter elements; verification of material compatibility with fluids
DIN ISO 3723	Hydraulic fluid power filter elements; method for end load test
DIN ISO 3724	Hydraulic fluid power filter elements; verification of flow fatigue characteristics
ISO 3968	Hydraulic fluid power filters; evaluation of pressure drop versus flow characteristics
ISO 10771.1	Fatigue pressure testing of metal containing envelopes in hydraulic fluid applications
ISO 16889	Hydraulic fluid power filters; multipass method for evaluation filtration performance of a filter element

### 6. Symbols



## 7. Order numbers

Example for ordering filters:

1. Housing design	2. Filter element
V=80 l/min, electrical indicator Type: Pi 2108 069 Order number: 77810286	Sm-x vst 3 Type: Pi 2208 Sm-x vst 3 Order number: 77680200

7.1 Housing design						
Nominal size NG [l/min]	Order number	Type	① with bypass valve and optical indicator	② with bypass valve and electrical indicator	③ with optical indicator	④ with electrical indicator
50	77810211	Pi 2105-057				
	77810229	Pi 2105-058				
	77810237	Pi 2105-068				
	77810245	Pi 2105-069				
80	77810252	Pi 2108-057				
	77810260	Pi 2108-058				
	77810278	Pi 2108-068				
	77810286	Pi 2108-069				
110	78204083	Pi 2111-057				
	78204091	Pi 2111-058				
	78204109	Pi 2111-068				
	78204117	Pi 2111-069				
150	77774573	Pi 2115-057				
	77774565	Pi 2115-058				
	77774557	Pi 2115-068				
	77774540	Pi 2115-069				
300	77774532	Pi 2130-057				
	77774524	Pi 2130-058				
	77774516	Pi 2130-068				
	77774508	Pi 2130-069				
450	77774490	Pi 2145-057				
	77774482	Pi 2145-058				
	77774474	Pi 2145-068				
	77774466	Pi 2145-069				

When filter with non bypass configuration is selected the collapse pressure of the element may not be exceeded.

The housings Pi 2105, Pi 2108 and Pi 2111 are approved for 63 bar operating pressure/test pressure 82 bar.

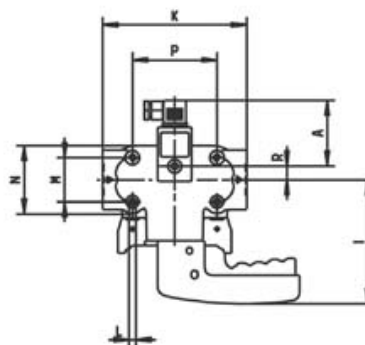
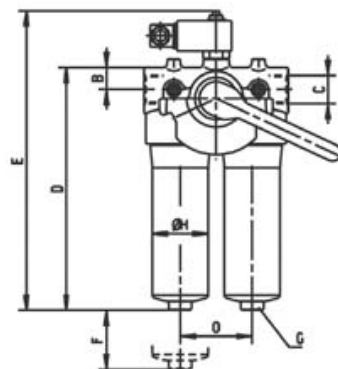
**7.2 Filter elements\***

Nominal size NG [l/min]	Order number	Type	Filter material	Collapse pressure [bar]	Filter surface [cm <sup>2</sup> ]
50	77680135	Pi 2105 Sm-x 3	Sm-x 3	20	590
	77943509	Pi 5105 Sm-x 6	Sm-x 6		590
	77680325	Pi 3105 Sm-x 10	Sm-x 10		590
	77680440	Pi 4105 Sm-x 25	Sm-x 25		590
	77680192	Pi 2205 Sm-x vst 3	Sm-x vst 3	210	425
	77943533	Pi 5205 Sm-x vst 6	Sm-x vst 6		425
	77680382	Pi 3205 Sm-x vst 10	Sm-x vst 10		425
	77680507	Pi 4205 Sm-x vst 25	Sm-x vst 25		425
80	77680143	Pi 2108 Sm-x 3	Sm-x 3	20	1150
	77943517	Pi 5108 Sm-x 6	Sm-x 6		1150
	77680341	Pi 3108 Sm-x 10	Sm-x 10		1150
	77680457	Pi 4108 Sm-x 25	Sm-x 25		1150
	77680200	Pi 2208 Sm-x vst 3	Sm-x vst 3	210	850
	77943541	Pi 5208 Sm-x vst 6	Sm-x vst 6		850
	77681190	Pi 3208 Sm-x vst 10	Sm-x vst 10		850
	77680515	Pi 4208 Sm-x vst 25	Sm-x vst 25		850
110	77680150	Pi 2111 Sm-x 3	Sm-x 3	20	1700
	77943525	Pi 5111 Sm-x 6	Sm-x 6		1700
	77680333	Pi 3111 Sm-x 10	Sm-x 10		1700
	77680456	Pi 4111 Sm-x 25	Sm-x 25		1700
	77680218	Pi 2211 Sm-x vst 3	Sm-x vst 3	210	1275
	77943558	Pi 5211 Sm-x vst 6	Sm-x vst 6		1275
	77680390	Pi 3211 Sm-x vst 10	Sm-x vst 10		1275
	77680523	Pi 4211 Sm-x vst 25	Sm-x vst 25		1275
150	77680168	Pi 2115 Sm-x 3	Sm-x 3	20	2425
	77955099	Pi 5115 Sm-x 6	Sm-x 6		2425
	77680358	Pi 3115 Sm-x 10	Sm-x 10		2425
	77680473	Pi 4115 Sm-x 25	Sm-x 25		2425
	77680226	Pi 2215 Sm-x vst 3	Sm-x vst 3	210	2010
	77955123	Pi 5215 Sm-x vst 6	Sm-x vst 6		2010
	77680408	Pi 3215 Sm-x vst 10	Sm-x vst 10		2010
	77680531	Pi 4215 Sm-x vst 25	Sm-x vst 25		2010
300	77680176	Pi 2130 Sm-x 3	Sm-x 3	20	4620
	77955107	Pi 5130 Sm-x 6	Sm-x 6		4620
	77680366	Pi 3130 Sm-x 10	Sm-x 10		4620
	77680481	Pi 4130 Sm-x 25	Sm-x 25		4620
	77680234	Pi 2230 Sm-x vst 3	Sm-x vst 3	210	3800
	77955131	Pi 5230 Sm-x vst 6	Sm-x vst 6		3800
	77680416	Pi 3230 Sm-x vst 10	Sm-x vst 10		3800
	77680549	Pi 4230 Sm-x vst 25	Sm-x vst 25		3800
450	77680184	Pi 2145 Sm-x 3	Sm-x 3	20	6865
	77955115	Pi 5145 Sm-x 6	Sm-x 6		6865
	77680374	Pi 3145 Sm-x 10	Sm-x 10		6865
	77680499	Pi 4145 Sm-x 25	Sm-x 25		6865
	77680242	Pi 2245 Sm-x vst 3	Sm-x vst 3	210	5600
	77955149	Pi 5245 Sm-x vst 6	Sm-x vst 6		5600
	77680424	Pi 3245 Sm-x vst 10	Sm-x vst 10		5600
	77680556	Pi 4245 Sm-x vst 25	Sm-x vst 25		5600

\* further elements available upon request.

## 8. Specifications

Design:	line mounting filter
Operating pressure:	25/63 bar*
Test pressure:	33/82 bar
Temperature range:	-10 °C to +120 °C (other temperature ranges on request)
Bypass opening pressure:	$\Delta p$ 3.5 bar $\pm$ 10 %
Filter head material:	GAL
Filter bowl material:	AL/St
Sealing material:	NBR/AL
Activating pressure of optical/electrical differential pressure indicator:	$\Delta p$ 2.2 bar $\pm$ 10 %
Electrical data of contamination indicator:	
Maximum voltage:	250 V AC/200 V DC
Maximum current on contact:	1 A
Inrush current:	70 W
Type of protection:	IP 65 when inserted and secured
Contact:	bistable
Cable connection:	M 20 x 1.5



The switching function can be changed by turning the electric upper part by 180° (normally closed contact or normally open contact). The state on delivery is a normally closed contact. The use of quenching circuits must be checked in the case of inductivity in the DC current circuit. The contamination indicator data sheet contains further information and additional contamination indicator versions. We draw attention to the fact that all values indicated are average values which do not always occur in specific cases of application. Our products are continually being further developed. Values, dimensions and weights can change as a result of this. Our specialized department will be pleased to offer you advice.

When using our filters in areas which are to be classified according to EU Directive 94/9 EC (ATEX 95), we recommend prior discussion with us. The standard version can be used for liquids based on mineral oil (corresponding to the fluids in Group 2 of Directive 97/23 EC Article 9). Please consult with us if using other media.

Subject to technical alteration without prior notice.

\* The housings Pi 2105, Pi 2108 and Pi 2111 are approved for 63 bar operating pressure/test pressure 82 bar.

## 9. Dimensions

All dimensions except "C" in mm.

Type	A	B	C*	D	E	F	G SW	H	I	K	L	M	N	O	P	Weight [kg]
Pi 2105	78	38	G 1	200	258	80	27	66	139	168	M 8 x 16	52	81	85	100	2.6
Pi 2108	78	38	G 1	276	334	80	27	66	139	168	M 8 x 16	52	81	85	100	2.9
Pi 2111	78	38	G 1	358	416	80	27	66	139	168	M 8 x 16	52	81	85	100	2.6
Pi 2115	78	40	G 1 ½	269	327	110	32	109	165	280	M 10 x 20	62	140	140	210	7.1
Pi 2130	78	40	G 1 ½	386	444	110	32	109	165	280	M 10 x 20	62	140	140	210	8.0
Pi 2145	78	40	G 1 ½	501	559	110	24	109	165	280	M 10 x 20	62	140	140	210	16.0

\*\* SAE flange connections (3000 PSI) on request

## 10. Installation, operating and maintenance instructions

### 10.1 Filter installation

Install filter according to the marked flow direction. Threaded holes for fixing the filter head are provided. Furthermore make sure that sufficient space is available to remove filter element and filter bowl. Preferable the filter should be installed with the filter bowl pointing downwards.

The contamination indicator must be visible.

### 10.2 Connecting the electrical contamination indicator

The electrical indicator is connected via a 2-pole appliance plug according to DIN EN 175301-803 with poles marked 1 and 2.

The electrical section can be inverted to change from normally open position to normally closed position or vice versa.

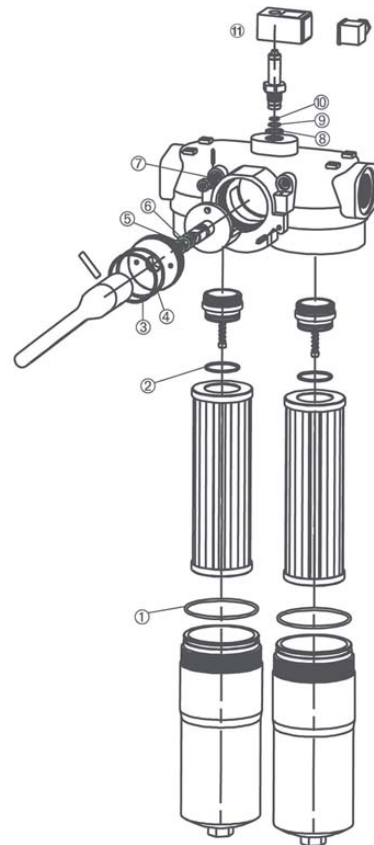
### 10.3 When must the filter element be replaced?

- Filters equipped with optical and electrical contamination indicator:  
During cold starts, the indicator may give a warning signal. Depress the red button of the visual indicator once again only after operating temperature has been reached. If the red button immediately pops out again and/or the electrical signal has not switched off after reaching operating temperature, the filter element must be replaced after the end of the shift.
- Please always ensure that you have Original MAHLE replacement elements in stock: disposable elements (Sm-x) cannot be cleaned.

### 10.4 Element replacement

**Note:** The contamination indicator monitors the filter side in operation, which is identified by the position of the switching lever catch. The flow transfer valve must be switched prior to filter servicing. Now the signal of the contamination indicator is cancelled and the red button can be depressed again.

- Operate and hold pressure equalizing lever located in the switching lever. Swivel switching lever. Engage the catch. Place through or drip pan underneath to collect leaking oil.
- Loosen vent screw of the filter side not in use by 2-3 turns; maximum back out against safety stop.
- Unscrew filter bowl by rotating same counter clockwise and clean with a suitable medium.
- Remove filter element with a side-to-side motion.
- Check o-ring on the filter bowl and the spigot for damage. Replace, if necessary.
- Make sure that the part number on the spare element corresponds with the part number on the filter label. Open the plastic bag and push element over the spigot in the filter head. Now remove plastic bag.
- Complete installation by screwing on the bowl, turning clockwise until it comes to a full stop. Back off the bowl 1/8 to 1/2 turn.
- To refill the filter chamber, operate only the pressure equalizing lever long enough for the medium to emerge bubblefree from the vent bore.
- Tighten vent screw. Check filter for leaks by operating the pressure equalizing lever once again.



## 11. Spare parts list

Order number for spare parts		
Position	Type	Order number
① - ⑦	Seal kit for housing	
	<b>Pi 2105 - Pi 2111</b>	
	NBR	79761271
	FPM	79761289
	EPDM	79761297
	<b>Pi 2115 - Pi 2145</b>	
	NBR	79761230
	FPM	79761248
	EPDM	79761255
⑧ - ⑩	Seal kit for contamination indicator	
	NBR	77760309
	FPM	77760317
⑪	Contamination indicator	
	Optical PiS 3098/2.2	77669971
	Electrical PiS 3097/2.2	77669948
	Electrical upper section only	77536550

Remove of seals only at plant!

# MAHLE

*Industrial Filtration*

MAHLE Filtersysteme GmbH  
Industriefiltration  
Schleifbachweg 45  
D-74613 Öhringen  
Phone +49 (0) 7941/67-0  
Fax +49 (0) 7941/67-23429  
industriefiltration@mahle.com  
www.mahle-industriefiltration.com  
78356552.11/2006