



JACOBY-TARBOX®

Phaeton Series LED Tank Lights

Section:	T100
Bulletin:	T100.110
Date:	3-04
Supersedes:	5-03

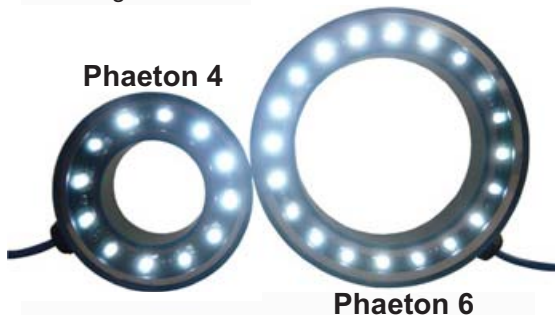
A REVOLUTIONARY NEW CONCEPT IN TANK ILLUMINATION

The **Phaeton Series** tank lights are the latest addition to the Jacoby-Tarbox **P.V.L.S. (Process View Lighting System)**. These state-of-the-art LED lights require less than one (1) amp, minimizing power consumption to a mere 7 watts. The light has an exceptionally long life, **over 8 years** of continuous operation which can be extended virtually indefinitely with the optional timer.

- **Same Window Viewing**
- **Low Temperature**
- **Long Life (over 70,000 hrs.)**
- **Maintenance Free**
- **Brighter Than a 150W Bulb**
- **Fits any 4", 6" or Larger Window**

The **LED light source** is the lowest temperature, directly powered, lighting available - eliminating the potential to burn a face or hands, and preventing "baked" product on the window. Traditional sight lights that use standard halogen bulbs run much hotter and have with an average bulb life of less than 3,000 hours. Safety concerns associated with manipulating large, hot housings and the maintenance needed with a short bulb life are eliminated.

The Jacoby-Tarbox **Phaeton Series** offers same-window-viewing. The light is ring-shaped, allowing process viewing directly through the center of the light housing. This eliminates the need for a second window for viewing.



Our light rings are **maintenance free**. If necessary, the **Phaeton Series** can be removed from the window to allow routine maintenance or cleaning of the window or vessel without disconnecting power. The light can be removed while lit, or can be disconnected from its power supply.



The Phaeton is easily installed on Jacoby-Tarbox or other existing 4", 6" or larger sight window! Installation is as simple as slipping the three mounting brackets over the retaining flange and securing it, mounting the power supply within 8' and connecting the power. The retaining flange does not need to be removed or modified. The **Phaeton Series'** unique mounting brings the light directly against the window, greatly reducing the reflected light as seen in competitor's units.

The **Phaeton Series** can easily be wired for 120, or 240 VAC.

Patents Pending

Phaeton Series Specifications

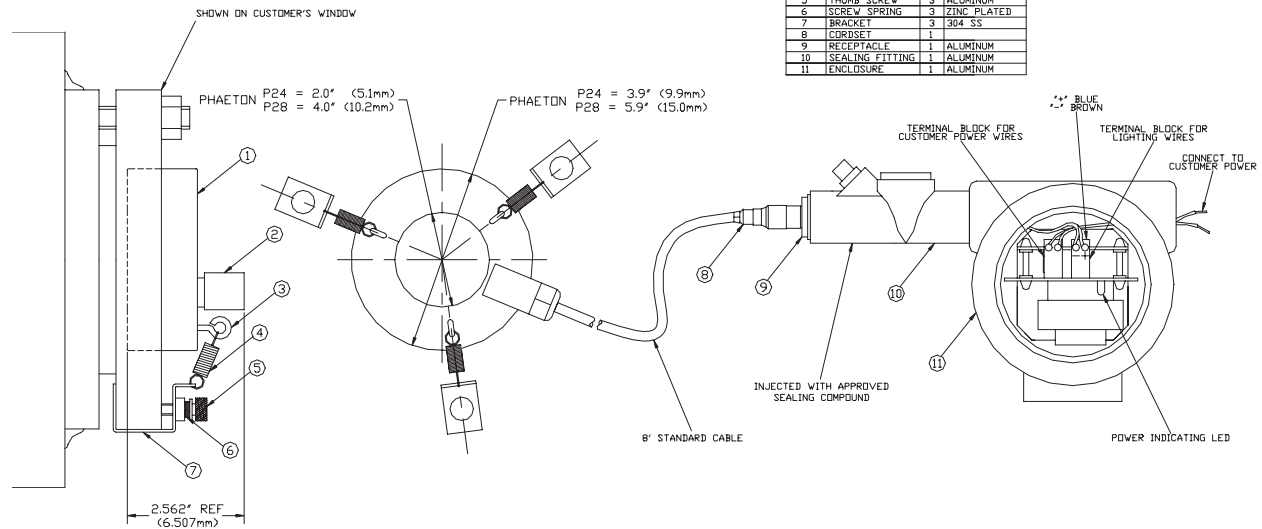
Power Supply: 120 or 240 VAC @ 50-60 Hz
 24V DC (600 mA)
 Power Consumption: <1.0 Amp @ 120 VAC
 <0.5 Amp @ 240 VAC
 Est. Life: 70,000 Hours (Continuous)
 Agency Approvals: NEMA 4, 4X, 7

Electrical Connection: 1/2" NPT Conduit Innection
 (Female)
 Wire Sizes: Min 18 AWG / Max 12 AWG
 Max. Distance from 90' (27.5 M)
 Power Supply to Light: Standard Cable = 8' (2.5 M)
 Ambient Temperature: -40° F (-40° C) to 140° F (60° C)

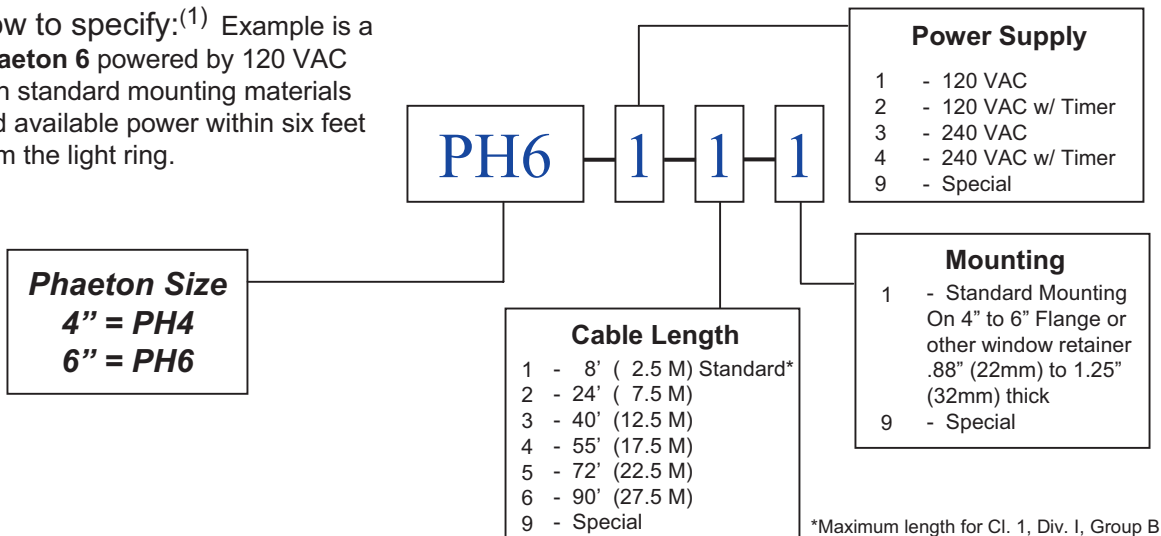
FM and CSA
 Intrinsically Safe
 Class 1, Div. I, Groups B, C, D & T4 Ta=60C
 Class 2, Div. I, Groups E, F, G & T4 Ta+60C



ITEM	NAME OF PART	QTY	MATERIAL
1	HOUSING	1	ALUMINUM
2	CORD GRIP	1	PLASTIC
3	EYE BOLT	3	ZINC PLATED
4	SPRING	3	ZINC PLATED
5	THUMB SCREW	3	ALUMINUM
6	SCREW SPRING	3	ZINC PLATED
7	BRACKET	3	304 SS
8	CORDSET	1	
9	RECEPTACLE	1	ALUMINUM
10	SEALING FITTING	1	ALUMINUM
11	ENCLOSURE	1	ALUMINUM



How to specify:⁽¹⁾ Example is a **Phaeton 6** powered by 120 VAC with standard mounting materials and available power within six feet from the light ring.



⁽¹⁾ Plant safety engineer is responsible for determining suitability of the unit for use in any particular hazardous location. Jacoby-Tarbox is a registered trademark of The Clark-Reliance Corp.



JACOBY-TARBOX®

Products Manufactured by the Clark-Reliance® Corporation
 16633 Foltz Industrial Pkwy., Strongsville, OH 44149 USA
 Telephone: (440) 572-1500 Fax: (440) 238-8828
www.clark-reliance.com

