

BILL OF MATERIAL No: MIIH-SF

NAME OF PART	MATERIAL	REMARKS
STAND PIPE/NIPPLES	(PER ORDER)	
FLANGES	(PER ORDER)	
PIPECAP/PLUGS	(PER ORDER)	
FLANGE GASKET	GARLOCK 3200	
FLANGE BOLTING	ASTM A193	
NUTS	ASTM A194	
FLOAT	(PER ORDER)	

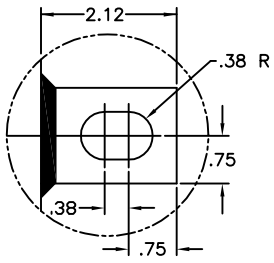
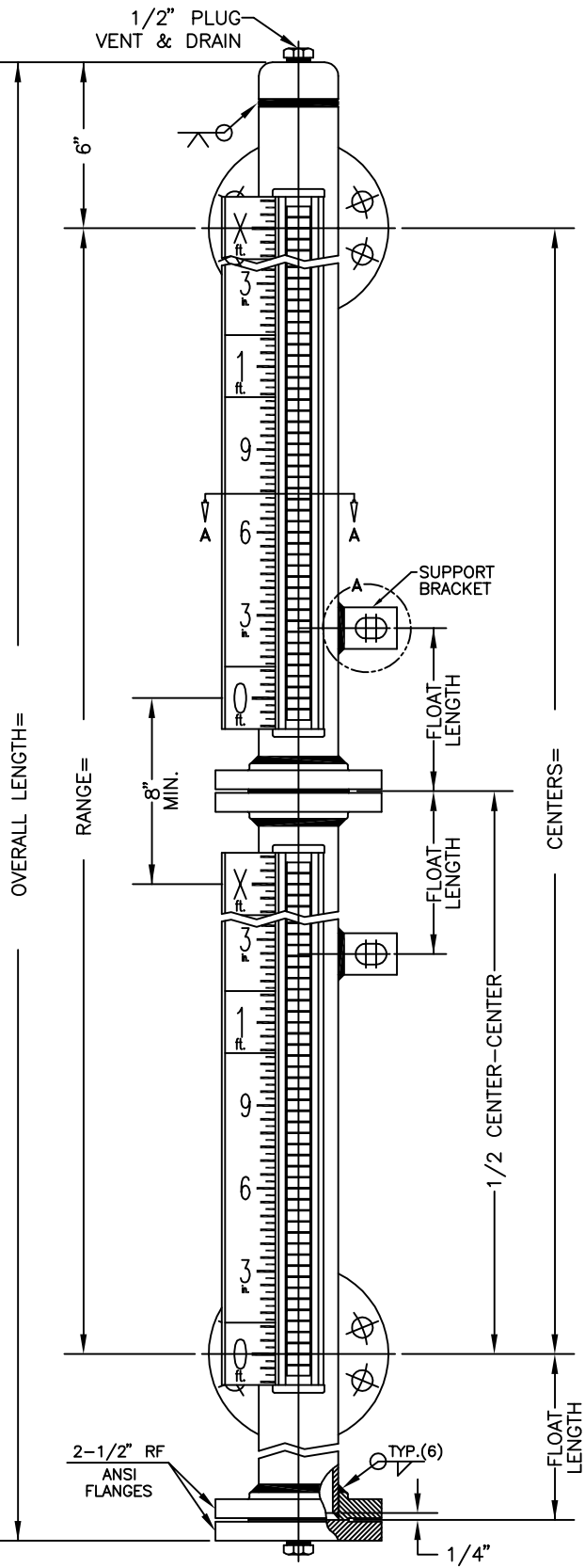
NOTES:  
 1. SUPPORT BRACKETS ARE IN THE SAME PLANE AS THE PROCESS FLANGES, NOT SHOWN.

OPERATING:

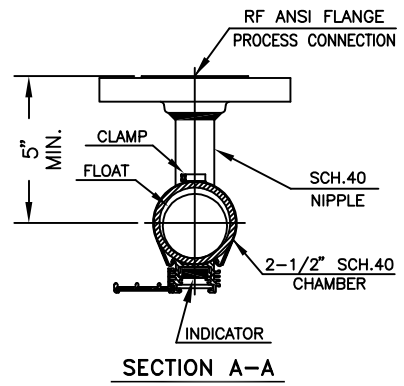
PRESS.:  
 TEMP.:

SERVICE:

SP. GR.:  
 FLUID:



DETAIL A  
 SEE NOTE 1



P. O. No:  
 OUR No:  
 ASSEMBLED ON \_\_\_\_ CENTERS  
 SERIAL No:  
 TAG:

MODEL No.: MII-SF

MODEL MIIH-SF  
 MAGNIFICATOR II  
 (TO 300# ANSI)

JERGUSON GAGE & VALVE CO. STRONGSVILLE, OHIO, U.S.A.		FILE NO:
		DRAWING NO. MIIH-SF1-2SEC
REF: X	DRAWN BY: MBV	REV: 0
CHECKED BY:	APPROVED BY:	DATE: 6/20/08 SCALE: NONE