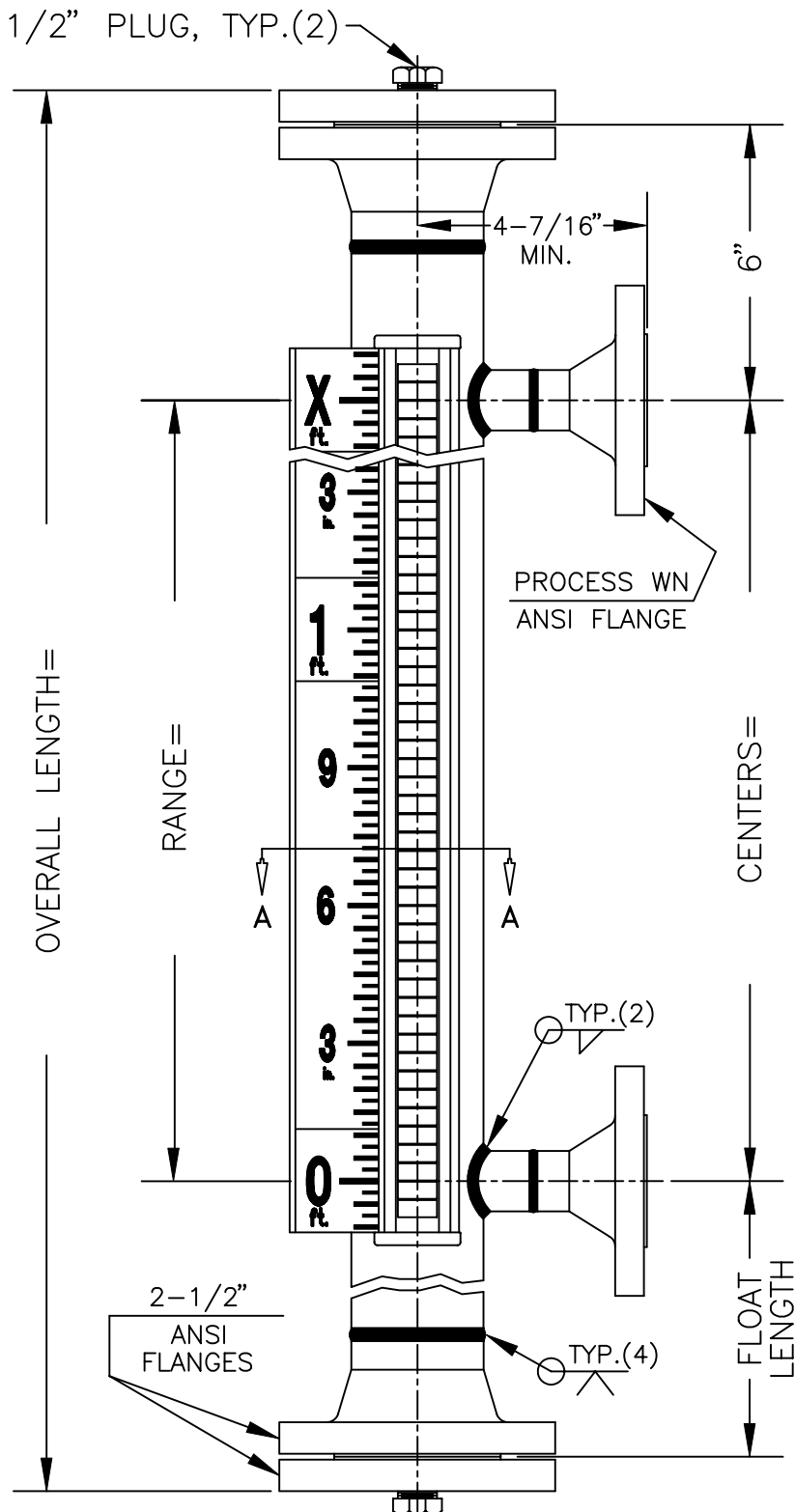


STANDARD BILL OF MATERIAL: MIIH-ESF

NAME OF PART	MATERIAL	REMARKS
STAND PIPE/NIPPLES	(PER ORDER)	
FLANGES/PLUGS	(PER ORDER)	
FLANGE GASKET	GARLOCK 3200	
STUDS	ASTM A193 GR.B7	
NUTS	ASTM A194 GR.2H	
FLOAT	(PER ORDER)	

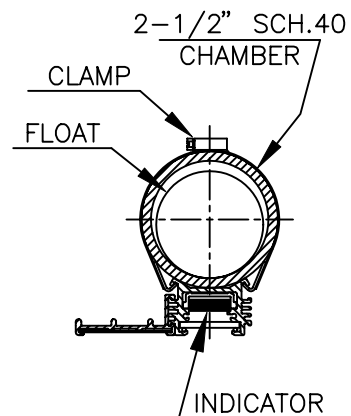


RATING:

PRESS.:
TEMP.:

SERVICE:

SP. GR.:
FLUID:



SECTION A-A

**MODEL MIIH-ESF
MAGNICATOR II
(TO 300# ANSI)**

**JERGUSON
GAGE & VALVE CO.
STRONGVILLE, OHIO, U.S.A.**

FILE NO:
DRAWING NO.
MIIH-ESFWN

REF:

DRAWN BY: MBV

REV: 1

CHECKED BY:

APPROVED BY:

DATE: 5/5/08

SCALE: NONE