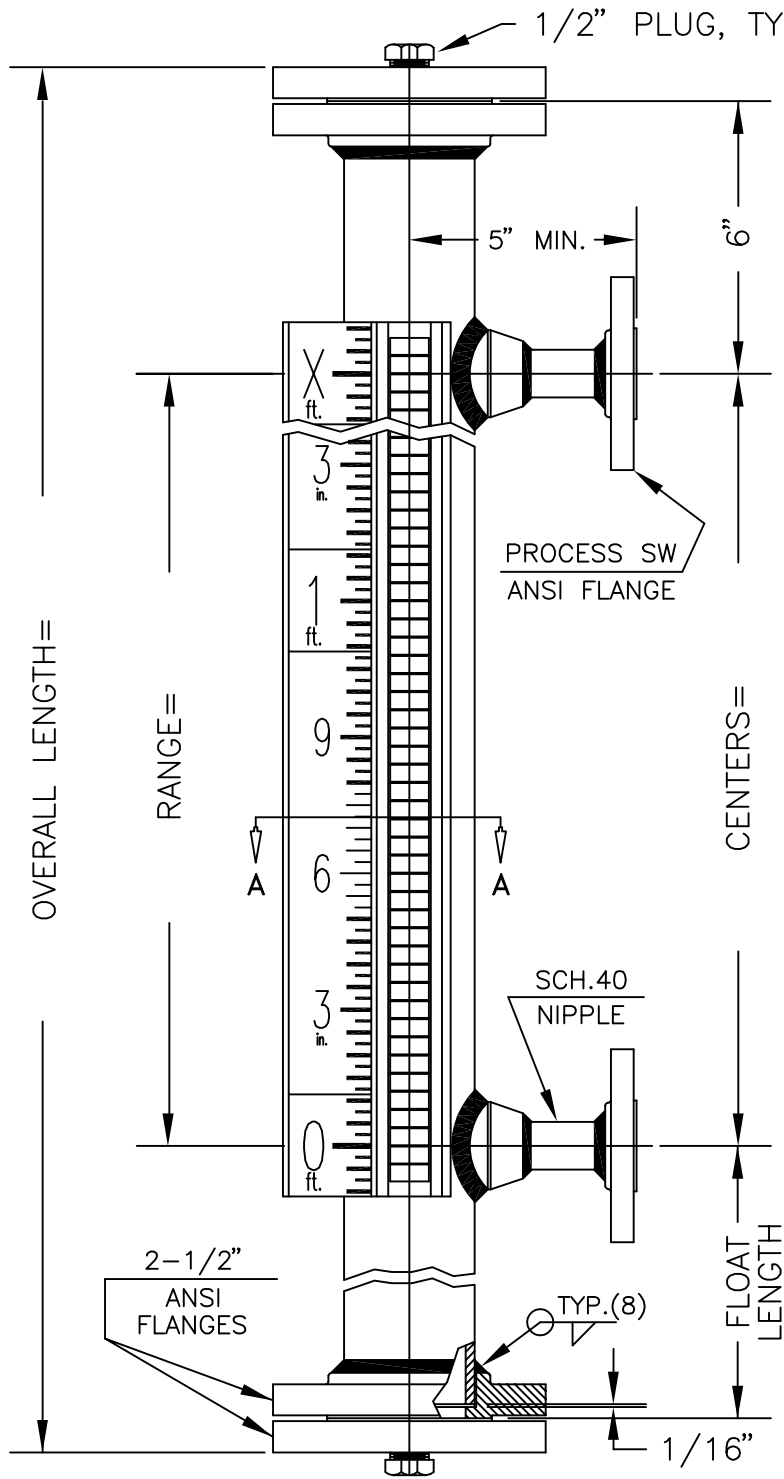


STANDARD BILL OF MATERIAL: MIIH-ESF		
NAME OF PART	MATERIAL	REMARKS
STAND PIPE/FITTINGS/NIPPLES	(PER ORDER)	
FLANGES/PLUGS	(PER ORDER)	
FLANGE GASKET	GARLOCK 3200	
STUDS	ASTM A193 GR.B7	
NUTS	ASTM A194 GR.2H	
FLOAT	(PER ORDER)	

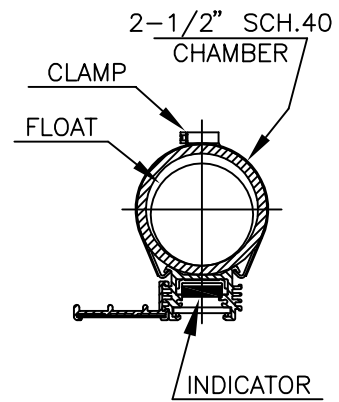


RATING:

PRESS.:
TEMP.:

SERVICE:

SP. GR.:
FLUID:



SECTION A-A

MODEL MIIH-ESF
MAGNicator II
(OVER 300# ANSI)

JERGUSON
GAGE & VALVE CO.
STRONGSVILLE, OHIO, U.S.A.

FILE NO:
DRAWING NO.
MIIH-ESF6

REF:	DRAWN BY: MJK	REV: 1
CHECKED BY:	APPROVED BY:	DATE: 3/22/02
		SCALE: NONE