

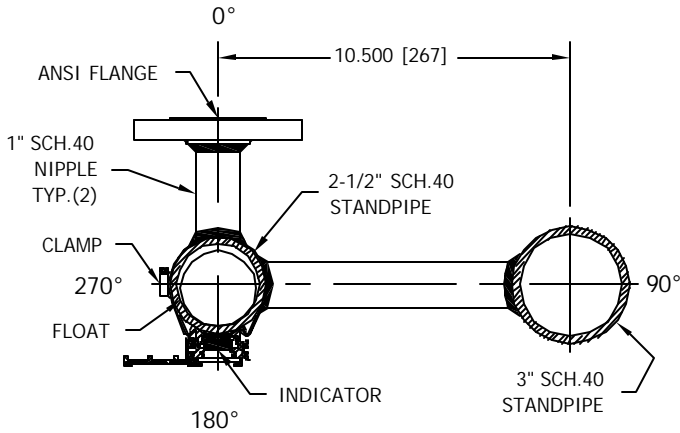
BILL OF MATERIAL:

NAME OF PART	MATERIAL	ASTM NO.	REMARKS
STAND PIPE	PER ORDER		
FLANGES	PER ORDER		
NIPPLES	PER ORDER		
FITTINGS	PER ORDER		
GASKET	PER ORDER		
STUDS	PER ORDER		
NUTS	PER ORDER		
FLOAT	PER ORDER		
PLUGS	PER ORDER		

NOTES:
1. MODEL NO. MGWR-

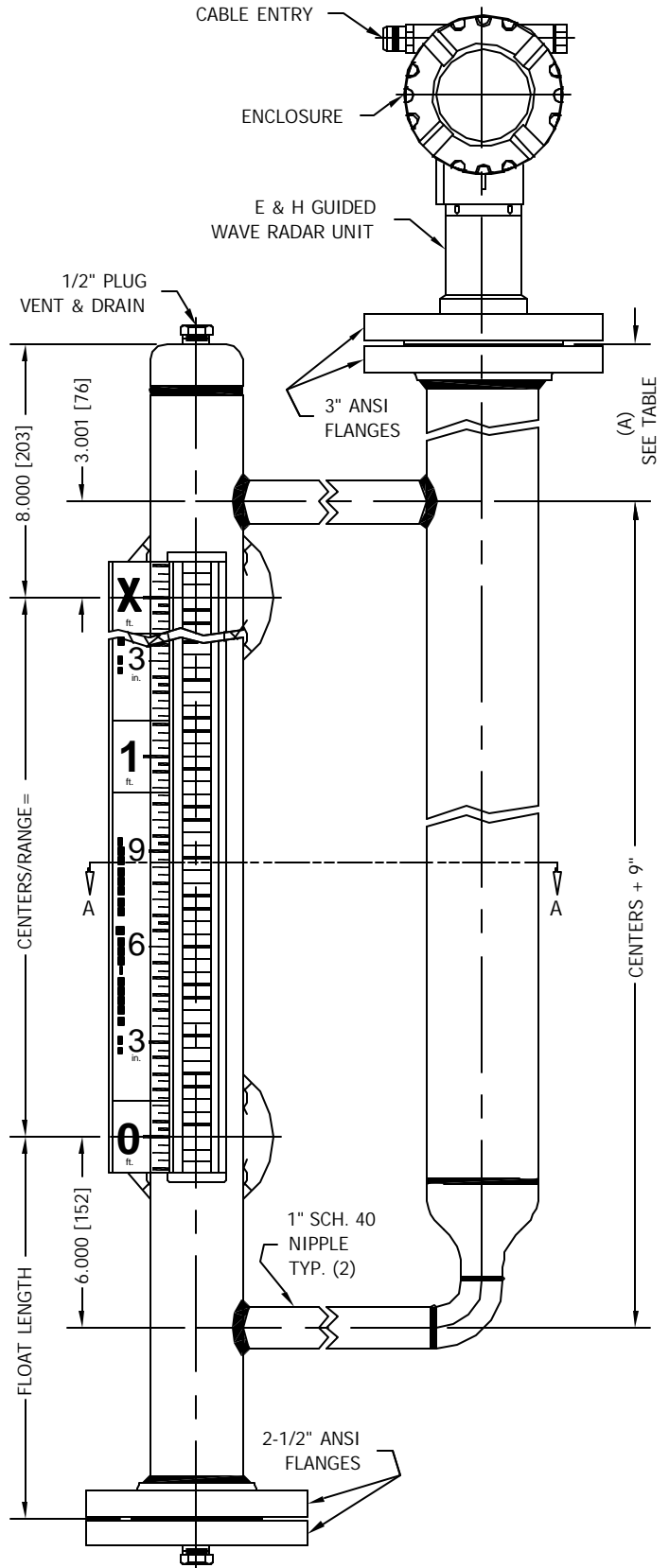
CHAMBER DESIGN:
ASME/ANSI B31.1/B31.3

OPERATING CONDITIONS:
PER ORDER
SP. GR.:
FLUID:



SECTION A-A

	A
W/O STEAM COMPENSATION	5.000" [127]
W/ STEAM COMPENSATION	15.000" [381]



REV	DATE	CHANGE	BY

MANUFACTURED BY
Clark-Rollance®
16633 FOLTZ PARKWAY
STRONGSVILLE, OH 44149 USA
PH: 440-572-1500
WEB: www.clarkreliance.com

JERGUSON®
MODEL MGWR-SF
MAGNicator II
E & H GUIDED WAVE RADAR

DRAWN: SH	REV.:
CHECKED:	0
DATE: B/16/10	
REVISION:	
DRAWING NO.: MGWR-SF-E&H	