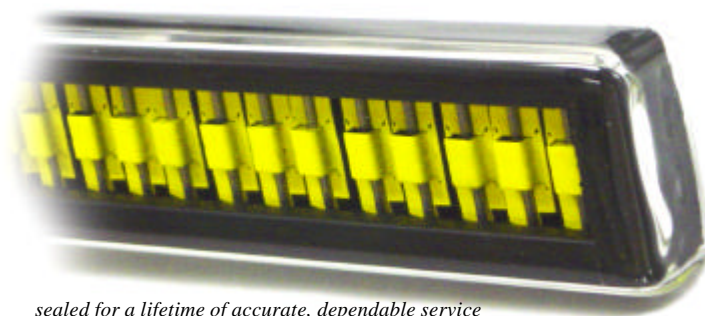


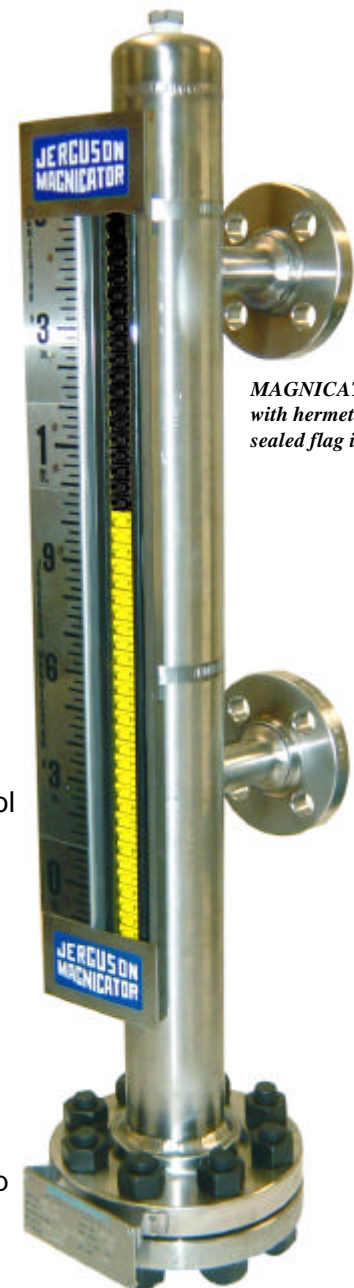
Hermetically-Sealed Magnicator II® Flag Indicators For Hazardous Applications and Offshore Duty



- 100% Fused Glass Sealed Ends
- Eliminates Fogging / Clouding
- Anti-Corrosive - All 316 SS Housing
- High Contrast - Superior Visibility
- Robust Borosilicate Flag Housing
- Wash-down Friendly



sealed for a lifetime of accurate, dependable service

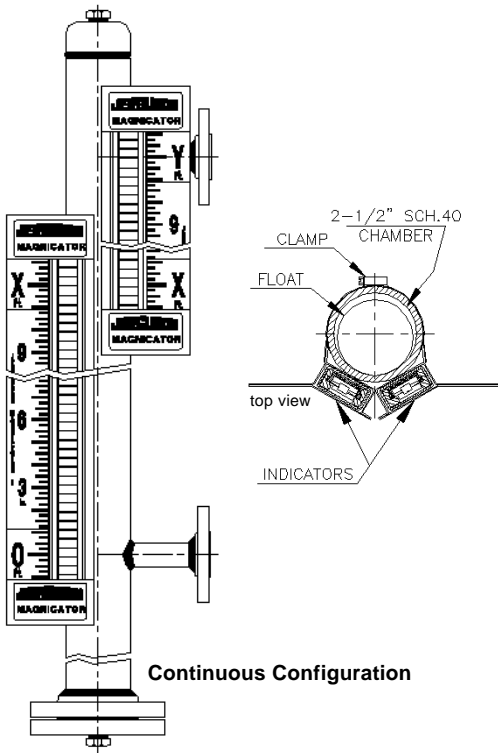


*MAGNicator II®
with hermetically-
sealed flag indicators*

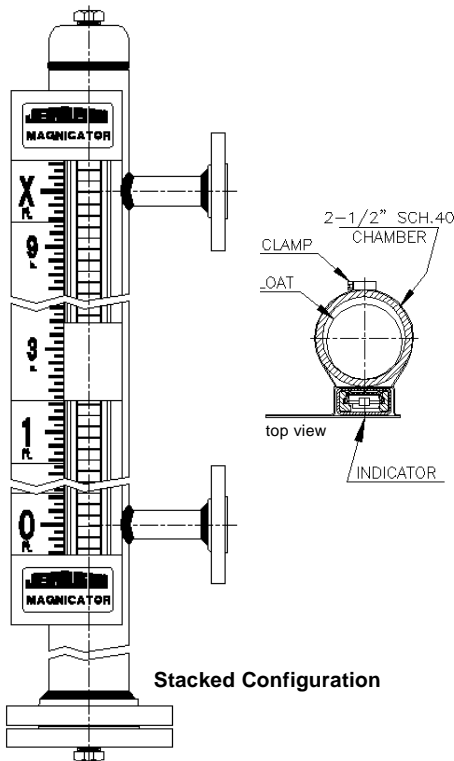
Specifically designed for the offshore industry, **JERGUSON®** is pleased to announce the addition of the Hermetically-Sealed Flag Indicator to the world's largest selection of level indication and control products. The Hermetically-Sealed Flag Indicator is constructed of borosilicate rectangular tubing and features 100% fused glass ends. JERGUSON's Hermetically Sealed Flag Indicators are the only indicators utilizing glass sealed ends - *a true hermetic seal*. JERGUSON ...Quality, Safety and Performance.

The Jerguson Magnicator II® can be configured with a Hermetically-Sealed Flag Indicator and all 316 Stainless Steel components, constructing the ideal gage for your offshore or harsh environmental requirements. JERGUSON also offers a variety of level transmitters and point level switches. Applications Engineers are on staff to help you specify the most economical and practical configuration for your visual process safety needs.

To Specify a Hermetically-Sealed Indicator on a MAGNicator II® Level Gage:



Continuous Configuration



Stacked Configuration

JERGUSON Bulletin M100.01

1. MAGNicator II
2. SELECT STYLE
3. PROCESS CONNECTION SIZE
4. FLANGE CLASS RATING (ANSI)
5. SPECIFY CHAMBER MATERIAL
6. PROCESS SPECIFIC GRAVITY
7. SPECIFY MAXIMUM WORKING PRESSURE (PSIG)
8. SPECIFY MAXIMUM WORKING TEMPERATURE (°F)
9. CENTER-VERGEBLE RANGE
10. INDICATOR TYPE
11. OPTIONS

HOW TO ORDER MAGNicator II

Part Number: **M11**

Magnicator II: 10 11 12 13 14 15 16 17 18 19 20 21 22 23 24 25 26 27 28 29 30 31 32 33 34 35 36 37 38 39 40 41 42 43 44 45 46 47 48 49 50 51 52 53 54 55 56 57 58 59 60 61 62 63 64 65 66 67 68 69 70 71 72 73 74 75 76 77 78 79 80 81 82 83 84 85 86 87 88 89 90 91 92 93 94 95 96 97 98 99 100

Chamber Style: 10 11 12 13 14 15 16 17 18 19 20 21 22 23 24 25 26 27 28 29 30 31 32 33 34 35 36 37 38 39 40 41 42 43 44 45 46 47 48 49 50 51 52 53 54 55 56 57 58 59 60 61 62 63 64 65 66 67 68 69 70 71 72 73 74 75 76 77 78 79 80 81 82 83 84 85 86 87 88 89 90 91 92 93 94 95 96 97 98 99 100

Process Connection Size: 1/2" 3/4" 1" 1 1/2" 2" 2 1/2" 3" 4" 6" 8" 10" 12" 14" 16" 18" 20" 24" 28" 32" 36" 40" 48" 60" 72" 84" 96" 108" 120" 144" 168" 192" 216" 240" 264" 288" 312" 336" 360" 384" 408" 432" 456" 480" 504" 528" 552" 576" 600" 624" 648" 672" 696" 720" 744" 768" 792" 816" 840" 864" 888" 912" 936" 960" 984" 1008" 1032" 1056" 1080" 1104" 1128" 1152" 1176" 1200" 1224" 1248" 1272" 1296" 1320" 1344" 1368" 1392" 1416" 1440" 1464" 1488" 1512" 1536" 1560" 1584" 1608" 1632" 1656" 1680" 1704" 1728" 1752" 1776" 1800" 1824" 1848" 1872" 1896" 1920" 1944" 1968" 1992" 2016" 2040" 2064" 2088" 2112" 2136" 2160" 2184" 2208" 2232" 2256" 2280" 2304" 2328" 2352" 2376" 2400" 2424" 2448" 2472" 2496" 2520" 2544" 2568" 2592" 2616" 2640" 2664" 2688" 2712" 2736" 2760" 2784" 2808" 2832" 2856" 2880" 2904" 2928" 2952" 2976" 3000" 3024" 3048" 3072" 3096" 3120" 3144" 3168" 3192" 3216" 3240" 3264" 3288" 3312" 3336" 3360" 3384" 3408" 3432" 3456" 3480" 3504" 3528" 3552" 3576" 3600" 3624" 3648" 3672" 3696" 3720" 3744" 3768" 3792" 3816" 3840" 3864" 3888" 3912" 3936" 3960" 3984" 4008" 4032" 4056" 4080" 4104" 4128" 4152" 4176" 4200" 4224" 4248" 4272" 4296" 4320" 4344" 4368" 4392" 4416" 4440" 4464" 4488" 4512" 4536" 4560" 4584" 4608" 4632" 4656" 4680" 4704" 4728" 4752" 4776" 4800" 4824" 4848" 4872" 4896" 4920" 4944" 4968" 4992" 5016" 5040" 5064" 5088" 5112" 5136" 5160" 5184" 5208" 5232" 5256" 5280" 5304" 5328" 5352" 5376" 5400" 5424" 5448" 5472" 5496" 5520" 5544" 5568" 5592" 5616" 5640" 5664" 5688" 5712" 5736" 5760" 5784" 5808" 5832" 5856" 5880" 5904" 5928" 5952" 5976" 6000" 6024" 6048" 6072" 6096" 6120" 6144" 6168" 6192" 6216" 6240" 6264" 6288" 6312" 6336" 6360" 6384" 6408" 6432" 6456" 6480" 6504" 6528" 6552" 6576" 6600" 6624" 6648" 6672" 6696" 6720" 6744" 6768" 6792" 6816" 6840" 6864" 6888" 6912" 6936" 6960" 6984" 7008" 7032" 7056" 7080" 7104" 7128" 7152" 7176" 7200" 7224" 7248" 7272" 7296" 7320" 7344" 7368" 7392" 7416" 7440" 7464" 7488" 7512" 7536" 7560" 7584" 7608" 7632" 7656" 7680" 7704" 7728" 7752" 7776" 7800" 7824" 7848" 7872" 7896" 7920" 7944" 7968" 7992" 8016" 8040" 8064" 8088" 8112" 8136" 8160" 8184" 8208" 8232" 8256" 8280" 8304" 8328" 8352" 8376" 8400" 8424" 8448" 8472" 8496" 8520" 8544" 8568" 8592" 8616" 8640" 8664" 8688" 8712" 8736" 8760" 8784" 8808" 8832" 8856" 8880" 8904" 8928" 8952" 8976" 9000" 9024" 9048" 9072" 9096" 9120" 9144" 9168" 9192" 9216" 9240" 9264" 9288" 9312" 9336" 9360" 9384" 9408" 9432" 9456" 9480" 9504" 9528" 9552" 9576" 9600" 9624" 9648" 9672" 9696" 9720" 9744" 9768" 9792" 9816" 9840" 9864" 9888" 9912" 9936" 9960" 9984" 10000

Process Connection Size: 1/2" 3/4" 1" 1 1/2" 2" 2 1/2" 3" 4" 6" 8" 10" 12" 14" 16" 18" 20" 24" 28" 32" 36" 40" 48" 60" 72" 84" 96" 108" 120" 144" 168" 192" 216" 240" 264" 288" 312" 336" 360" 384" 408" 432" 456" 480" 504" 528" 552" 576" 600" 624" 648" 672" 696" 720" 744" 768" 792" 816" 840" 864" 888" 912" 936" 960" 984" 1008" 1032" 1056" 1080" 1104" 1128" 1152" 1176" 1200" 1224" 1248" 1272" 1296" 1320" 1344" 1368" 1392" 1416" 1440" 1464" 1488" 1512" 1536" 1560" 1584" 1608" 1632" 1656" 1680" 1704" 1728" 1752" 1776" 1800" 1824" 1848" 1872" 1896" 1920" 1944" 1968" 1992" 2016" 2040" 2064" 2088" 2112" 2136" 2160" 2184" 2208" 2232" 2256" 2280" 2304" 2328" 2352" 2376" 2400" 2424" 2448" 2472" 2496" 2520" 2544" 2568" 2592" 2616" 2640" 2664" 2688" 2712" 2736" 2760" 2784" 2808" 2832" 2856" 2880" 2904" 2928" 2952" 2976" 3000" 3024" 3048" 3072" 3096" 3120" 3144" 3168" 3192" 3216" 3240" 3264" 3288" 3312" 3336" 3360" 3384" 3408" 3432" 3456" 3480" 3504" 3528" 3552" 3576" 3600" 3624" 3648" 3672" 3696" 3720" 3744" 3768" 3792" 3816" 3840" 3864" 3888" 3912" 3936" 3960" 3984" 4008" 4032" 4056" 4080" 4104" 4128" 4152" 4176" 4200" 4224" 4248" 4272" 4296" 4320" 4344" 4368" 4392" 4416" 4440" 4464" 4488" 4512" 4536" 4560" 4584" 4608" 4632" 4656" 4680" 4704" 4728" 4752" 4776" 4800" 4824" 4848" 4872" 4896" 4920" 4944" 4968" 4992" 5016" 5040" 5064" 5088" 5112" 5136" 5160" 5184" 5208" 5232" 5256" 5280" 5304" 5328" 5352" 5376" 5400" 5424" 5448" 5472" 5496" 5520" 5544" 5568" 5592" 5616" 5640" 5664" 5688" 5712" 5736" 5760" 5784" 5808" 5832" 5856" 5880" 5904" 5928" 5952" 5976" 6000" 6024" 6048" 6072" 6096" 6120" 6144" 6168" 6192" 6216" 6240" 6264" 6288" 6312" 6336" 6360" 6384" 6408" 6432" 6456" 6480" 6504" 6528" 6552" 6576" 6600" 6624" 6648" 6672" 6696" 6720" 6744" 6768" 6792" 6816" 6840" 6864" 6888" 6912" 6936" 6960" 6984" 7008" 7032" 7056" 7080" 7104" 7128" 7152" 7176" 7200" 7224" 7248" 7272" 7296" 7320" 7344" 7368" 7392" 7416" 7440" 7464" 7488" 7512" 7536" 7560" 7584" 7608" 7632" 7656" 7680" 7704" 7728" 7752" 7776" 7800" 7824" 7848" 7872" 7896" 7920" 7944" 7968" 7992" 8016" 8040" 8064" 8088" 8112" 8136" 8160" 8184" 8208" 8232" 8256" 8280" 8304" 8328" 8352" 8376" 8400" 8424" 8448" 8472" 8496" 8520" 8544" 8568" 8592" 8616" 8640" 8664" 8688" 8712" 8736" 8760" 8784" 8808" 8832" 8856" 8880" 8904" 8928" 8952" 8976" 9000" 9024" 9048" 9072" 9096" 9120" 9144" 9168" 9192" 9216" 9240" 9264" 9288" 9312" 9336" 9360" 9384" 9408" 9432" 9456" 9480" 9504" 9528" 9552" 9576"