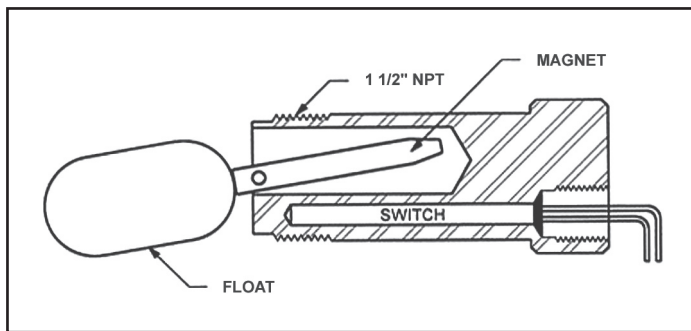


OPERATION

The Jerguson JMRS series float operated magnetic reed switch is designed to provide reliable low cost switching.



Utilizing a magnetically actuated reed switch to provide a contact, switching occurs when the float moves a magnet into close proximity of the reed switch. The all SST construction and hermetically sealed reed switch provides long life at a very low cost.

FEATURES

- Magnetic Actuation
- All SST Wetted Parts
- SPST 3A Contacts
- No O-Ring or Packing Seals
- Hermetically Sealed Switch Mechanism
- Hi or Lo Level Operation

TYPICAL APPLICATIONS

Petroleum Processing

Fuels, lubricating oils, hydraulic fluids, separators, treaters, crude oil, fuel-water interfaces.

Chemical Processing

Acids, alkalis, ammonia, paint, lacquer, peroxides, alcohols, printing inks, freon.

Food processing

Beverages, fruit juices, cooking oils.

Pharmaceutical and Cosmetic

Liquids, emulsions, lotions, solutions.

Marine Operations

Fuel oil, hydraulic fluid, bilge level alarms, sea water, coolant, condensate levels, cargo levels.

Reactor Operation

Level control, alarm signaling.

Water Industry

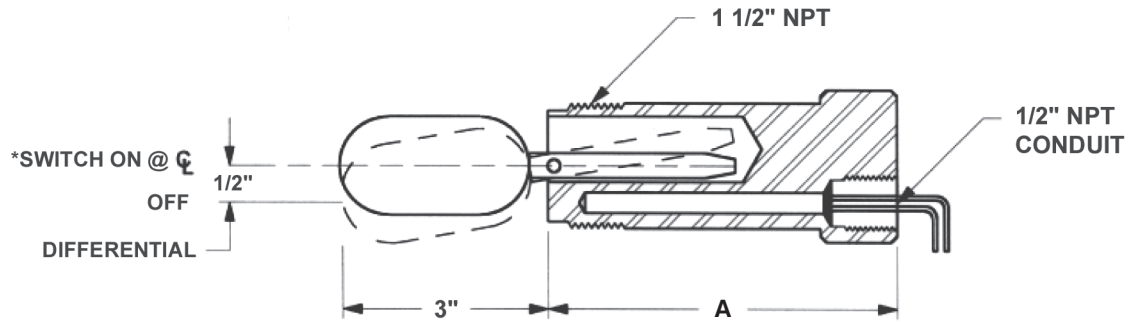
Flood control, reservoir levels.

General

Leak detection, overflow alarm, low level alarm in evaporators.

JMRS Horizontal Mount Magnet Level Switch

DIMENSIONS AND SPECIFICATIONS



*NOMINAL SWITCH POINT @ 1.0 S.G.

PRESSURE RATING	MINIMUM SPECIFIC GRAVITY	PROCESS MAX. TEMP	CONNECTION	DIMENSION A
			1500 PSIG	0.40
			2" NPT	5-5/8"

MODEL SELECTION GUIDE

MAGNETIC REED SWITCH							
JMRS	CODE	BODY MATERIAL		TRIM MATERIAL			
	2	T-316 SST		T-316 SST			
		CODE		CODE	304SS	316SS	
		1	SPST Hermetically Sealed	3 AMPS	120 VAC/DC	100 WATTS	
		2	SPDT Hermetically Sealed	3 AMPS	120 VAC/DC	100 WATTS	
			CONNECTION	PRESSURE RATING (Carbon Steel)	CODE		
			1 1/2" NPT, 316 SS	1500 PSIG @ 100° F	00		
			2" NPT, 316 SS	1500 PSIG @ 100° F	70		
					CARBON STEEL	304SS	316SS
			2 1/2" 150# RF Threaded	285 PSIG @ 100° F	11	12	13
			2 1/2" 300# RF Threaded	740 PSIG @ 100° F	21	22	23
			2 1/2" 600# RF Threaded	1480 PSIG @ 100° F	31	32	33
			3" 150# RF Threaded	285 PSIG @ 100° F	41	42	43
			3" 300# RF Threaded	740 PSIG @ 100° F	51	52	53
			3" 600# RF Threaded	1480 PSIG @ 100° F	61	62	63
			CODE	OPTIONS			
			FEXXXX	Float Extension (inches) – Consult Factory			
			P	Polypropylene Float			
			BW	Back Welded Flange			
JMRS	2	1					TYPICAL MODEL NUMBER

JERGUSON®

A PRODUCT OF CLARK-RELIANCE

16633 Foltz Parkway • Strongsville, OH 44149 USA

Telephone: (440) 572-1500 • Fax: (440) 238-8828

sales@clark-reliance.com • www.clark-reliance.com