

Specialists In Liquid Level Indication

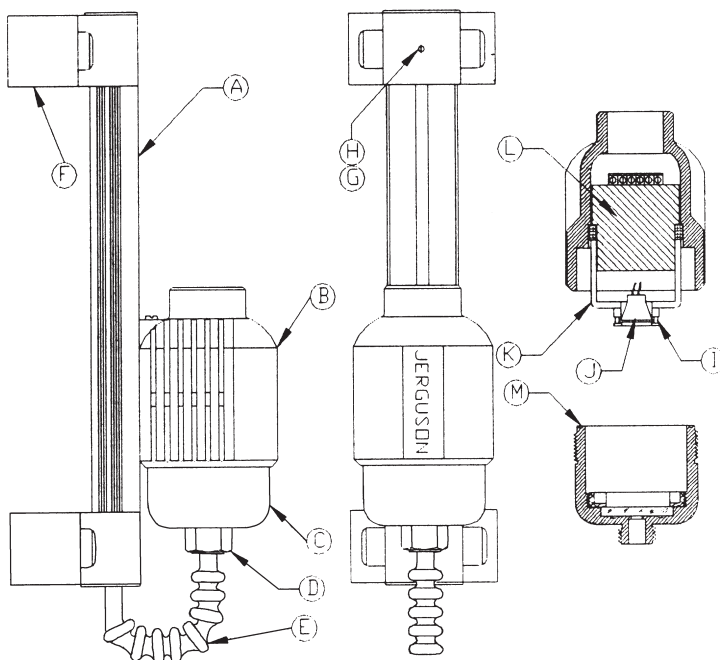
## Inspection and Delivery

Upon receiving the Lumenator, check all components for any damage that may have occurred during shipment. The Lumenator assembly has two main components, the fiber optic strip housing and the light source housing.

## Installation (Typical)

**Note:** Before beginning installation the liquid level gage should be isolated, drained and allowed to cool.

- 1.) Remove all packaging material from the Lumenator Assembly.
- 2.) Loosen the set screws on the mounting brackets and align the cut out on the mounting bracket so that the distance between the two mounting brackets line up with the desired bolt heads on the liquid level gage.
- 3.) Place one side of both mounting brackets under one side of the gage cover and then using a rolling motion, snap the other two halves of the mounting bracket to the other side of the gage.
- 4.) Using the leads supplied, connect to illuminator following the prevailing electrical codes and regulations. Please see sketch of possible installation arrangements.



## Installation (Terminal Block Connection)

**Tools Needed:** 1/8" wide or smaller standard screwdriver.

- 1.) Follow steps 1 through 3 under typical installation.
- 2.) Unscrew cable nut tube and allow tube and nut assemble to hang free.
- 3.) Unscrew bottom of light source housing.
- 4.) Unclip the lamp from the lamp holder and remove lamp by pinching the connector and sliding it apart.
- 5.) Unscrew the lamp holder from the upper part of the lights source housing.

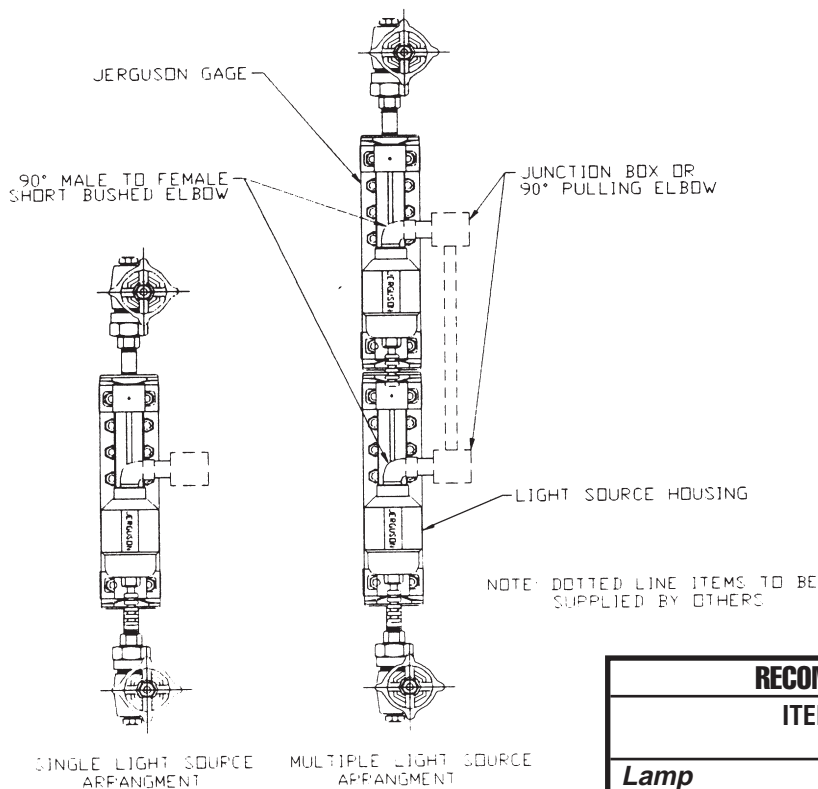
| ITEM | DESCRIPTION                  | QTY |
|------|------------------------------|-----|
| A    | Fiber Optic Housing          | 1   |
| B    | Light Source Housing         | 1   |
| C    | Light Source Housing, Bottom | 1   |
| D    | Cable Tube Nut               | 1   |
| E    | Cable Tube                   | 1   |
| F    | Bracket                      | 2   |
| G    | Thumb Screw                  | 2   |
| H    | Thumb Screw Nut              | 2   |
| I    | Lamp Holder Clip             | 1   |
| J    | Lamp                         | 1   |
| K    | Lamp Holder                  | 1   |
| L    | Transformer Assembly         | 1   |
| M    | O-Ring                       | 1   |

- 6.) Once the lamp holder is removed, the transformer assembly will slide out of the light source housing.
- 7.) Attach 120 Vac supply power to terminals 1 and 6. Jumper terminals 2 to 3 and 4 to 5.
- 9.) Attach 240 Vac supply power to terminals 1 and 6. Jumper terminals 3 to 4.
- 8.) Repeat steps 2 thru 6 in reverse order. Note: when screwing the lower housing back in the upper housing make sure the lamp leads are clear of the O-ring seating surface.
- 9.) Turn on power.

## Lamp Maintenance

- 1.) Unscrew cable nut tube and allow nut assembly to hang free.
- 2.) Unscrew the bottom of the light source housing.
- 3.) Unclip the lamp from the lamp holder and remove lamp by pinching the connector and sliding it apart.
- 4.) Clip in the new lamp and repeat the above steps in reverse order.

## Typical Installation Arrangements



| RECOMMENDED SPARE PARTS     |             |                   |
|-----------------------------|-------------|-------------------|
| ITEM                        | PART NUMBER | PERCENT IN STORES |
| <i>Lamp</i>                 | V-19000     | 10%               |
| <i>Transformer Assembly</i> | V-18996     | 5%                |



Specialists In Liquid Level Indication

## Inspection and Delivery

Upon receiving the Lumenator Frost Free Bracket, check all components for any damage that may have occurred during shipment.

## Installation (Typical)

**NOTE:** To better facilitate and avoid personal injury due to contact with cold gage assemblies, the liquid level gage should be isolated, drained, and allowed to thaw before starting the installation process.

- 1.) Remove all packaging material from the Lumenator Assembly.
- 2.) Using the Thumbscrews on back of the Lumenator, mount the Frost Free brackets to the main blue Lumenator housing. (This replaces the smaller, standard Non-Frost Free Brackets found on most Lumenators.
- 3.) Loosen the thumbscrews on the mounting brackets and align the cut out on the mounting bracket so that the distance between the two mounting brackets line up with the desired bolt heads on the liquid level gage. Due to the unique snap on design, be sure to use the proper clamps.
- 4.) Place one side of both mounting brackets under one side of the gage cover and then using a rolling motion, snap the other two halves of the mounting bracket to the other side of the gage.
- 5.) Adjust the Frost Free Brackets using the bracket nuts until the face of the Lumenator is flush with the clear acrylic Frost-Free Extension.
- 6.) To complete the electrical installation, please see the instruction sheet included with the Lumenator.

Further information can be found on the [EPL-60 Installation and Maintenance sheet](#).



Specialists In Liquid Level Indication

## Wet Environment Installation

**CAUTION:** To prevent ignition of hazardous atmosphere disconnect from supply circuit before opening.

For installations in locations with high humidity, extremely wet conditions, or the chance of liquid loads in the conduit system is likely, special installation precautions must be taken. As with any electrical device, precautions must be taken to ensure that water is not present inside the enclosure. To help prevent water from entering the enclosure you should first follow the typical installation procedure as outlined in the IM sheet. Once you have completed the typical installation the following two points should be followed. First, if the Lumentator is installed in a hazardous location, a sealing fitting must be installed within eighteen (18) inches of the unit. This sealing fitting should be installed with a drain valve if significant liquid loads are anticipated in the conduit system. Secondly, if water is going to be present in the conduit system, it is important to pipe the conduit in such a way that the Lumentator housing does not become the low point of the conduit system. (*please see sketch below*). If the climate in which the Lumentator is being installed is extremely wet and/or humid it is also recommended to install an automatic water drainer and continuous vent in the conduit system.

***If the above steps are not followed and water is allowed to enter the enclosure, the Illuminator will be damaged.***

