



# BOILER WATER GAGES

Section: J100  
Bulletin: J100.61  
Date: 10/1/96  
Supercedes: P-A2

Specialists In Liquid Level Indication

For Pressure 900 to 1600 W.S.P.

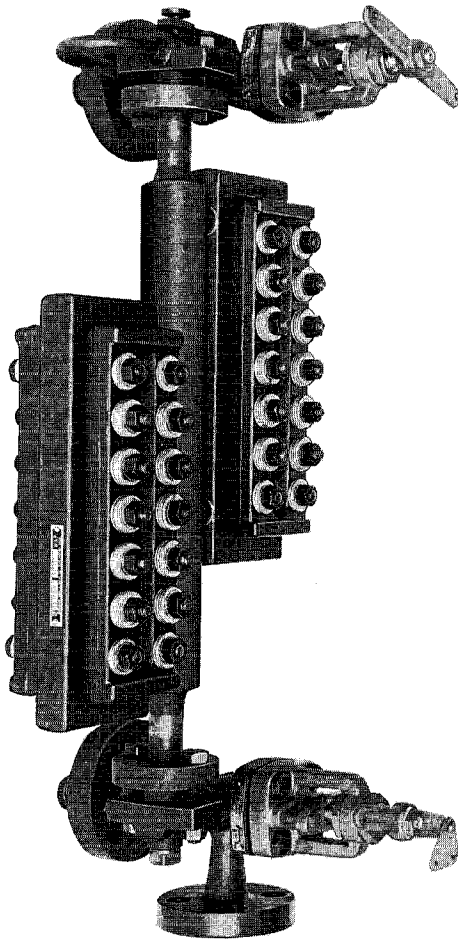
## Gage and Valve Assemblies

Jerguson Gages and Valves are rugged, high-quality products constructed of the finest materials. They meet A.B.S. and U.S.C.G. regulations and A.S.M.E. Sec. I, code requirements for use on fired pressure vessels.

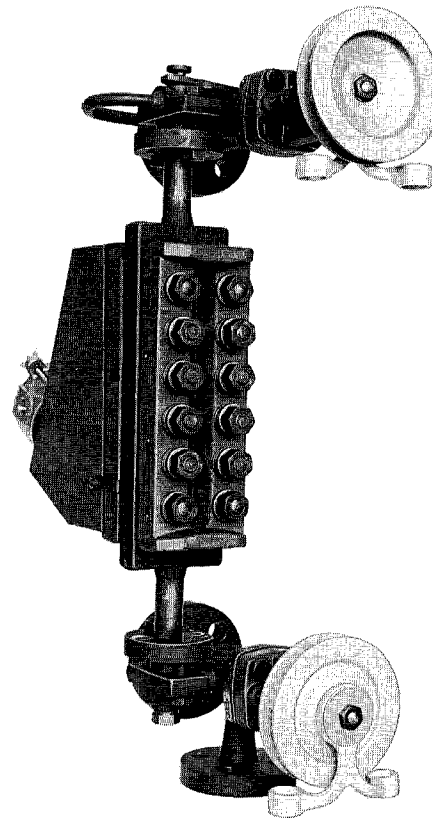
Boiler Water Gage and Valve Assemblies are designed and built for years of dependable operation. Take a close look at the rugged direct reading gages. Compare their exclusive combination of design and construction features... tempered glass... high quality mica shields... Grafoil

gaskets... spring washers... 360 degree rotatable flanges... easy to read, continuous visibility... valves with outside stem and yoke... replaceable seats and backseating stems.

And, each assembly is complete with necessary expansion loops lever or chain wheel valve operators. All Jerguson boiler water level gage assemblies meet the requirements of the U.S. Coast Guard, A.S.M.E. Code and A.B.S. Regulations... have proven their dependability throughout the industry.



900WSP  
SG-109B

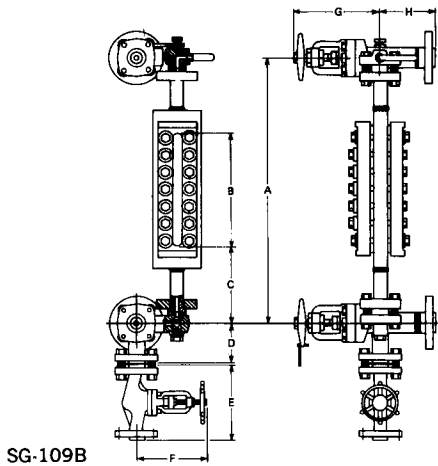


1600WSP  
SG-1016B

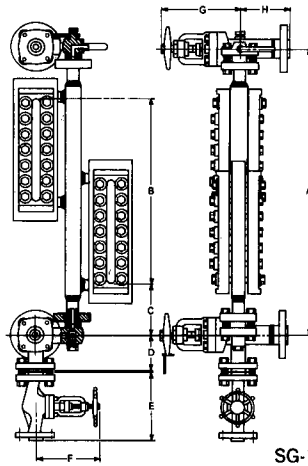
Liquid Level Gages and Valves for the Power and Process Industries

# BOILER WATER GAGES 900-1600 W.S.P.

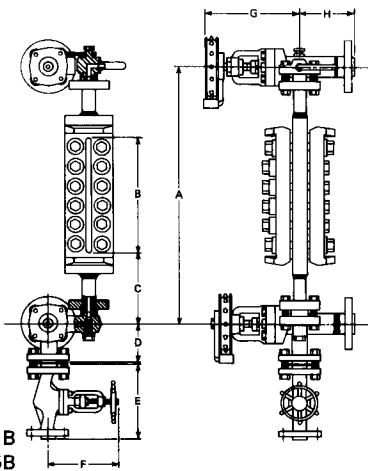
Select The Jerguson Boiler Water Gage and Valve Assembly Engineered To Fit Your Requirements



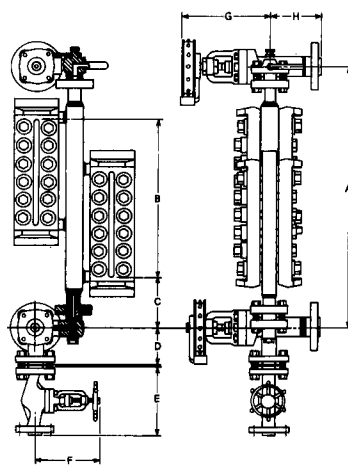
SG-109B



SG-189B



SG-1011B  
SG-1016B



SG-1811B  
SG-1816B

| Assembly | Press (WSP) | Gage* Visibility | Valve | Gage  | DIMENSION |         |         |        |        |        |         |        |
|----------|-------------|------------------|-------|-------|-----------|---------|---------|--------|--------|--------|---------|--------|
|          |             |                  |       |       | A*        | B*      | C       | D      | E      | F      | G       | H      |
| SG-109B  | 900         | 10"              | 739B  | 109B  | 22 1/2"   | 10 1/8" | 6 3/16" | 3"     | 6 1/2" | 6 1/8" | 7 1/16" | 4 3/4" |
| SG-189B  | 900         | 18"              | 739B  | 189B  | 27 1/2"   | 18"     | 4 3/4"  | 3"     | 6 1/2" | 6 1/8" | 7 7/16" | 4 3/4" |
| SG-1011B | 1100        | 10"              | 7311B | 1016B | 22 1/2"   | 10 1/8" | 6 3/16" | 3"     | 6 1/2" | 6 1/8" | 8 5/8"  | 4 3/4" |
| SG-1811B | 1100        | 18"              | 7311B | 1816B | 27 1/2"   | 18"     | 4 3/4"  | 3"     | 6 1/2" | 6 1/8" | 8 5/8"  | 4 3/4" |
| SG-1016B | 1600        | 10"              | 7325B | 1016B | 22 1/2"   | 10 1/8" | 6 3/16" | 4 1/2" | 8 1/2" | 7"     | 8 5/8"  | 5 1/8" |
| SG-1816B | 1600        | 18"              | 7325B | 1816B | 27 1/2"   | 18"     | 4 3/4"  | 4 1/2" | 8 1/2" | 7"     | 8 5/8"  | 5 1/8" |

\*Other visibilities and centers are available.

## How To Order Jerguson Direct Reading Boiler Water Gages

The following information is required for prompt accurate cost quotations and for order processing:

Boiler Design Pressure  
Boiler Operating Pressure  
Gage Visibility

WSP  
WSP

Drum Connection Centers  
Drum Flange Size  
(3/4" 600 = or 3/4" 900 = Flange Standard on 900 WSP and 1100 WSP)  
(3/4" 1500 = Flange Standard on 1600 = WSP)



**JERGUSON® GAGE AND VALVE**  
A Division of The Clark • Reliance® Corporation  
13200 North Promenade • Stafford, TX 77477 USA  
Telephone: (281) 240-4243 Fax: (281) 240-7299

**JERGUSON® GAGE AND VALVE**  
A Division of The Clark • Reliance® Corporation  
16633 Foltz Industrial Parkway • Strongsville, OH 44136 USA  
Telephone: (440) 572-1500 Fax: (440) 238-8828