

## Non-Frosting for unobstructed liquid level readings on low temperature applications

- Reflex or Transparent Types
- Standard or Large Chambers

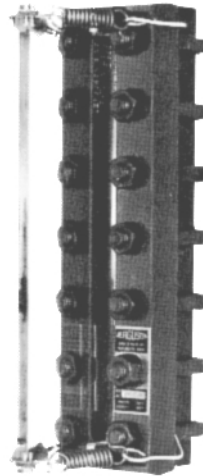
For low temperature applications where frost has a tendency to build up on the gage, the Jerguson frost preventing unit keeps frost from covering the window and maintains clear visibility at all times.

The Jerguson Non-Frosting Unit consists of a plastic extension which makes direct contact with the gage glass and extends beyond the cover so that the frost build up does not obscure reading of the liquid level.

Mounting of the plastic extension is simple and can be accomplished without dismantling the gage. The non-frost extension can be installed or removed (for cleaning), either before or after the gage has been put into service.

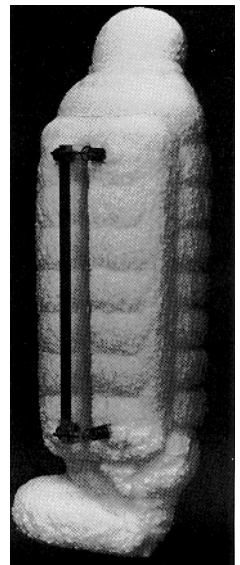
### AVAILABLE ON STANDARD OR LARGE CHAMBER GAGES

Non-Frosting construction has been designed for the Series 18, 20, 32, and L-10 Series gages.

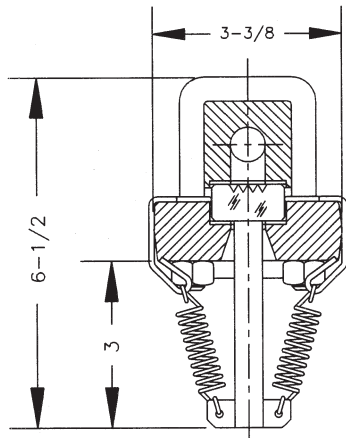


Large chamber reflex gage (RLF-10) with non-frosting extension.

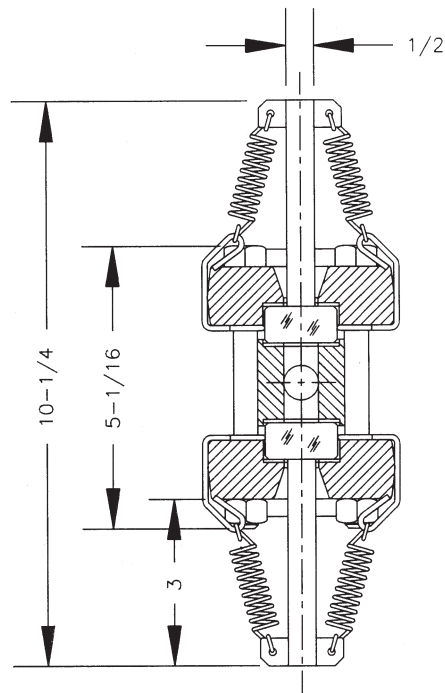
Non-frosting extension maintains excellent visibility of liquid level despite heavy frost build-up on gage.



# SERIES NF LIQUID LEVEL GAGES



**Series RF-20**



**Series TF-20**

## MATERIAL RECOMMENDATIONS

### TEMPERATURE RANGE TO MINUS 20° F

Series 18, 20, 32 and large chamber L-10 Gages with standard carbon steel construction suitable to minus 20° F.

### TEMPERATURE RANGE MINUS 21° F TO MINUS 50° F

#### Series 20 Gages

Chamber -50° F impact tested carbon steel  
Covers -50° F impact tested carbon steel  
Bolts A-193, Grade B7M  
Nuts A-194, Grade 2HM

#### Series L-10 Gages

Chamber A-334 Grade (Or 18-8S.S. depending upon availability).  
Bolts A-193, Grade B8M  
Nuts A-194, Grade 8M  
Covers -50° F impact tested carbon steel

### TEMPERATURE RANGE MINUS 51° F TO MINUS 325° F

#### Series 20 Gages

Chamber 18-8S.S.  
Covers 18-8S.S.  
Bolts A-193, Grade B8M  
Nuts A-194, Grade 8M

#### Series L-10 Gages

Chamber (Seamless pipe) S.S.  
Covers 18-8 S.S.  
Bolts A-193, Grade B8M  
Nuts A-194, Grade 8M

## PRESSURE RATINGS

Standard ratings apply to -50° F

From -50° F to -325° F use 70% of standard rating.

Refer to the Bulletin concerning the series for the pressure group desired for size number, visible glass in inches, overall length and construction details.

## NON-FROSTING EXTENSION THICKNESS

Thickness is measured from the gage glass to the face of the extension. Series 18, 20, 32 and L-10 standard thickness 3 5/8". Longer extensions available in 1" increments.

## RECOMMENDATIONS

Ambient temperature of 80° F, liquid of 0° F - 3 5/8" thick extension (standard). For each additional 100° F drop in temperature, add 1" to plastic extension. When insulation is used, the plastic extension should extend at least 1/2" beyond the insulation.



## JERGUSON® GAGE AND VALVE

A Division of The Clark • Reliance® Corporation  
13200 North Promenade • Stafford, TX 77477 USA  
Telephone: (281) 240-4243 Fax: (281) 240-7299

## JERGUSON® GAGE AND VALVE

A Division of The Clark • Reliance® Corporation  
16633 Foltz Industrial Parkway • Strongsville, OH 44136 USA  
Telephone: (440) 572-1500 Fax: (440) 238-8828