



Quality Today Insures Tomorrow

## Product Specifications & Applications

Hydraulic Company of America

### HHD Duplex Filter

HYCOA's 5000 PSI rated HHD high performance duplex filter is designed for systems requiring continuous on-line reliable operation. The filter is equipped with an integral low-torque transfer valve for ease of changing elements while the system is in operation.

The head assembly features all machined carbon steel construction with o-ring sealing, and forged steel filter bowls. These versatile systems provide the filtration solution for on line high pressure applications. Utilizing a variety of media in a wide range of efficiencies, these system optimize filtration performance.



### Features/Benefits

- Carbon Steel Construction - 5000 PSI
- Visual or Electrical Pressure Indicators
- SAE 4 Bolt Flange Connections
- Integral Balance Line and Bleed Valves
- Filter Elements available in a variety of media and filtration efficiencies
- Standard paint or primer

### Options/Applications

#### Options:

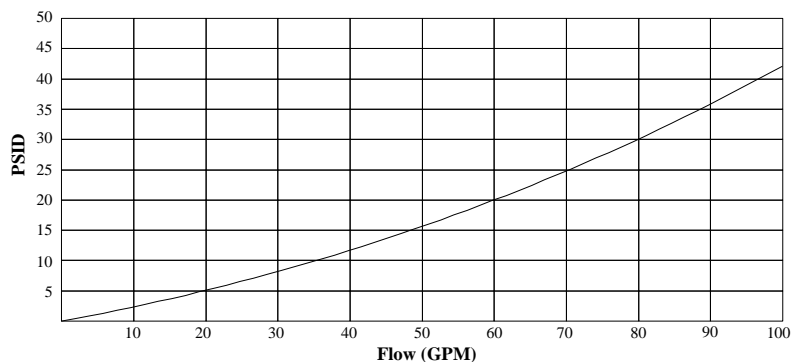
- Stainless Steel Construction
- Viton seals
- Special Paint
- Special Connections

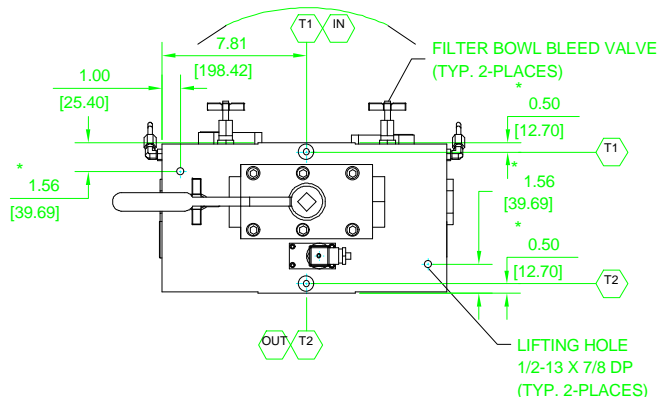
#### Applications:

- High Pressure Hydraulics
- Servo Guard Applications
- Synthetic Fluids

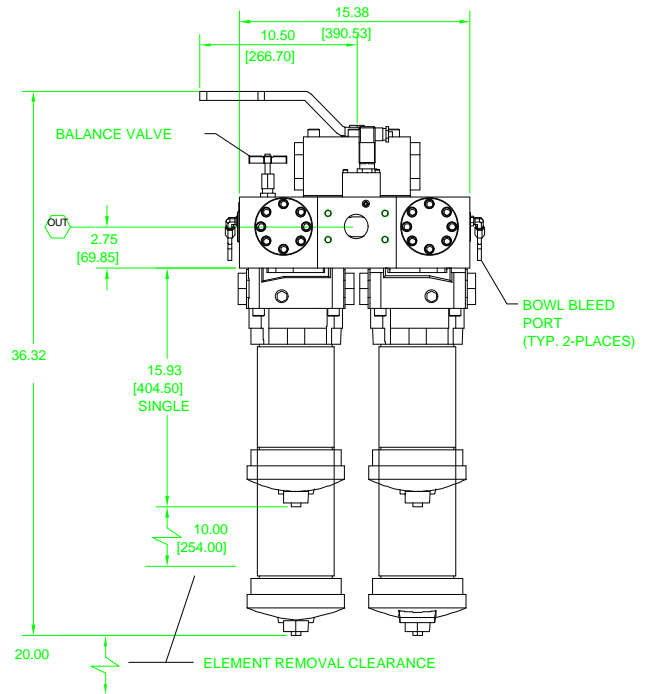
HHD Duplex Assembly  
Pressure Drop vs Flow

HHD Filter w/o Filter Elements  
200 SSU Fluid





TERMINATION POINTS	
	INLET - 2" SAE CODE 62
	OUTLET - 2" SAE CODE 62
	INLET TEST - #4 SAE
	OUTLET TEST - #4 SAE



\* - DIMENSION REFERENCED FROM FLANGE FACE

Box 1	Box 2	Box 3	Box 4	Box 5	Box 6	Box 7
<b>HHD</b>	<b>1</b>	<b>O</b>	<b>B</b>	<b>50</b>	<b>ME</b>	<b>10C</b>

**Box 1:**  
HYCOA HIGH PRESSURE DUPLEX

**Box 2:** BOWL LENGTH  
1 (1) ELEMENT  
2 (2) ELEMENT

**Box 3:** SERVICE  
O - OIL SERVICE

**Box 4:** BYPASS  
N - NO BYPASS  
B - BYPASS

**Box 5:** BYPASS SWITCH SETTING  
0 PSI  
35 PSI  
50 PSI

**Box 6:** INDICATOR  
M - MECHANICAL  
E - ELECTRICAL  
DE - ΔP GAUGE  
& SWITCH  
P - HANDLE POSITION SWITCH

**Box 7:** FILTER ELEMENT

20 C	20 uM CELLULOSE
10 C	10 uM CELLULOSE
03C	3 uM CELLULOSE
10B	10 uM MICROGLASS
03B	3 uM MICROGLASS
10BH	10B with 2000# collapse rating
03BH	03B with 2000# collapse rating
10Q	10 uM MICROGLASS II
10QH	10Q with 2000# collapse rating
2Q	2 uM MICROGLASS II
2QH	2Q with 2000# collapse rating



**Hydraulic Company of America**  
200 Williams Drive  
Zelienople, PA 16063  
Phone (800) 544-9262 • FAX (724) 452-4521  
e-mail: [hycoa@zbzoom.net](mailto:hycoa@zbzoom.net)  
Website: [www.hycoa.com](http://www.hycoa.com)