



Quality Today Insures Tomorrow

Product Specifications & Applications

Hydraulic Company of America

HP Solenoid Grease Valve

HYCOA's High-Pressure Solenoid Grease Valve is designed for individual control of lubricant volume and delivery frequency to several different locations from a single pressure source. This rugged, heavy-duty design handles grease or oil interchangeably, assures consistent operation at high temperatures and working pressures and will operate in any position. The valve is supplied in either *normally closed* (N.C.) or *normally open* (N.O.) configurations for shutoff (N.C.) or dump (N.O.) service.

To assure optimum performance at high pressures, the valve's balanced slide and seals are individually honed and lapped. The oversized solenoid assembly provides rapid shifting, has high resistance to burnout and assures long, trouble free operation.



Features/Benefits

- Handles Grease or Oil Interchangeably
- Operates to 4000 PSI
- 115 Volts, 60 Hz (standard)
- Aluminum Valve Housing with ample room for wiring connections
- Oversized Solenoid
- 3/8" NPTF In-line piping connections
- Manual Override Button
- Stainless Steel Slide, Seals and Spring
- 1/2" NPSF Conduit Connection

Options/Applications

Options:

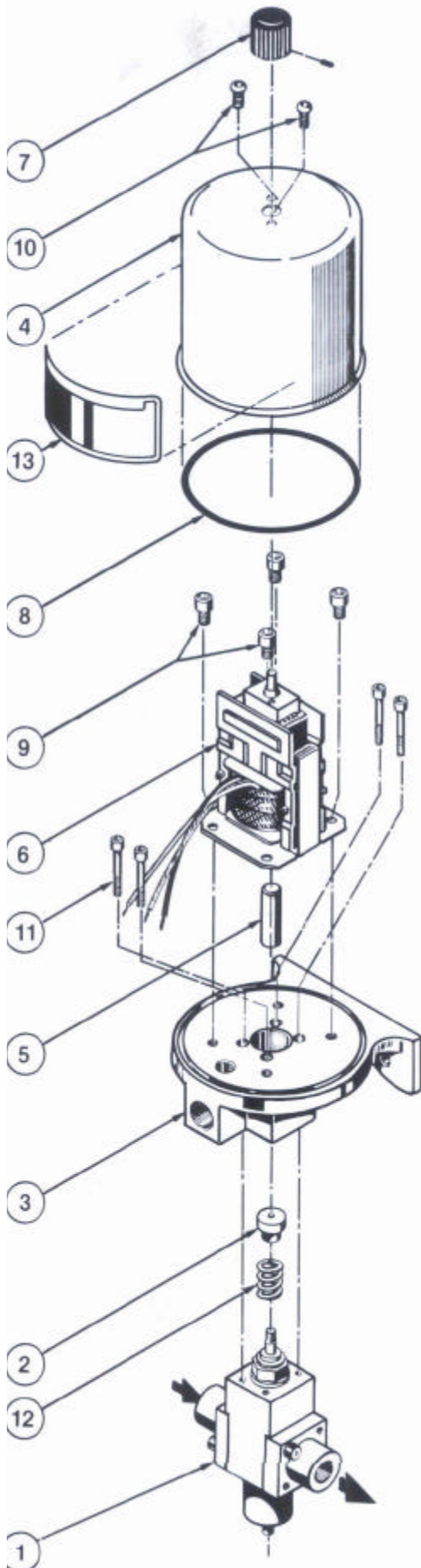
- Normally Open (N.O.) or Normally Closed (N.C.) Operation
- Operating Voltage
- Frequency 50/60 Hz

Applications:

Bulk Grease & Oil Systems in:

- Larger Power Presses
- Glass Making Equipment
- Foundry Machinery
- Rolling Mills
- Stacker-Unloader Equipment
- Central Lube System Distribution

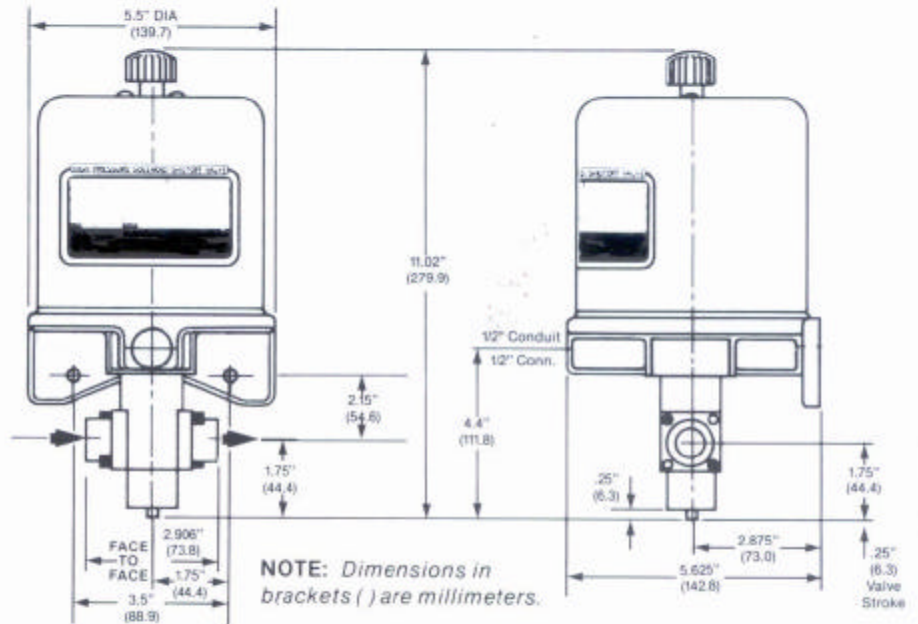
COMPONENTS



BILL OF MATERIALS

MARK	NO. REQ'D	DESCRIPTION
1	1	Valve Subassembly
2	1	Cap
3	1	Transition Bracket
4	1	Solenoid Cover
5	1	Slug
6	1	Solenoid Subassembly
7	1	Override Knob w/Set Screw
8	1	O-Ring
9	4	Socket Hd. Cap Screw, 1/4-28 x 3/8" Lg.
10	2	Button Hd. Cap Screw, #10-32 x 1/4" Lg.
11	4	Socket Hd. Cap Screw, #8-32 x 1-1/2" Lg.
12	1	Spring
13	1	Nameplate

ENVELOPE & MOUNTING DIMENSIONS



SPECIFICATIONS

Mechanical

Materials: SLIDE, SEALS, SPRING—stainless steel; BODY, SOLENOID COVER, TRANSITION BRACKET—aluminum alloy; NONMETALLIC SEALS—Buna-N O-rings with Teflon backup rings.

Pressures: Working: 4000 psi (281 kg/cm²); Maximum: 6000 psi (422 kg/cm²).

Temperatures: 0 to 160°F (-18 to 74°C).

Service: Any pumpable lubricating grease or oil.

Flow: Rates vary with different greases and oils, depending on viscosity, temperature, and pumpability. Rating for any specific lubricant can be supplied on request; a 10-lb (minimum) sample of the lubricant is required.

Port Sizes: 3/8" NPTF inlet and outlet.

Cv Factor: 0.28.

Leakage: External—0; Internal—1 dpm.

Weight: 7 lb, 13 oz (3.54 kg).

Electrical

Duty: Continuous.

Voltages: 115 volts, 50/60 Hz (standard). Other voltages are available; consult factory for details.

Amperage: 50 Hz: 6.5 Inrush; 1.1 Holding. 60 Hz: 7.3 Inrush; 1.3 Holding.

Conduit Connection: 1/2" NPSF. Coils furnished with three 30" leads.

Specifications subject to change without notice.

ORDERING DATA

208	1	011	00X (Specify Voltage)
Product Class		Design Sequence	5 = Normally Open 6 = Normally Closed
Complete Ass'y			