

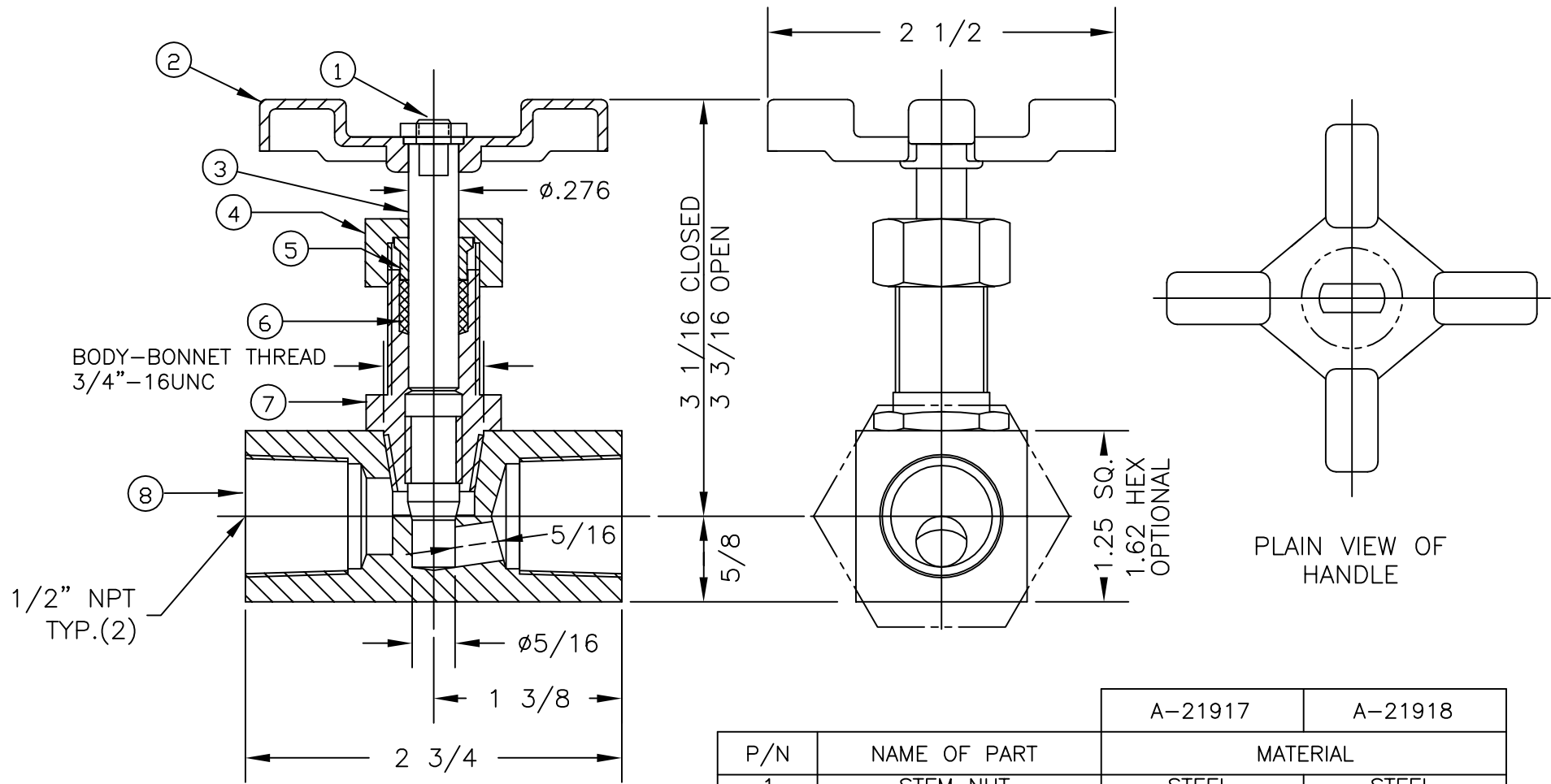
MATERIAL: SEE TABLE
 DRAWN: F.A. CHECKED: DEB
 SCALE: NONE DATE: 11/23/04
 REV. 4 PER CDC 04-206/MJK

JERGUSON
 GAGE & VALVE CO.
 STRONGSVILLE, OHIO, U.S.A.
 PART NO.: SEE TABLE

VALVE, 1/2 GLOBE
 TOLERANCE CLASS:

DRAWING NO.: REV.
 GD-1990 4
 FILE NO.: 2-2221

* TOLERANCES DEFINED BY PES-004



RATING: 10000 PSIG @ 100°F
 500 PSIG @ 550°F

P/N	NAME OF PART	A-21917	A-21918
		MATERIAL	
1	STEM NUT	STEEL	STEEL
2	HANDLE	MALLEABLE IRON	MALLEABLE IRON
3	STEM	316 SS	316 SS
4	GLAND NUT	STEEL	316 SS
5	GLAND FOLLOWER	STEEL	316 SS
6	PACKING	GRAFOIL	TEFLON
7	BONNET	STEEL	316 SS
8	BODY	STEEL	316 SS