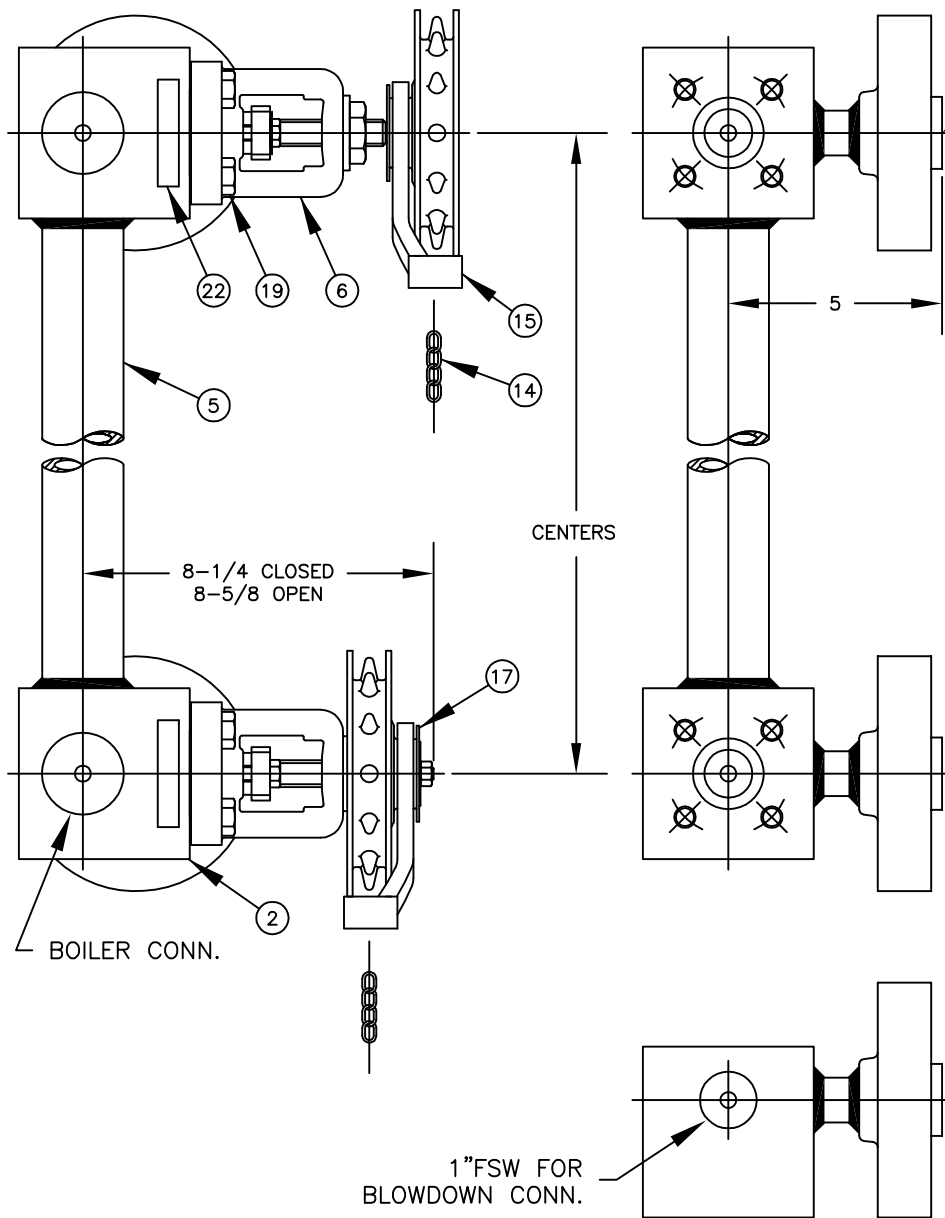


BILL OF MATERIAL

PIECE NO.	NAME OF PART	QTY.	MATERIAL	PART NO.	REMARKS
1	TOP VALVE BODY	1	STEEL	V-10924-A6 (RH)	ASTM A108
		1	STEEL	V-10515-A6 (LH)	ASTM A108
2	BOT. VALVE BODY	1	STEEL	V-10925-A6 (RH)	ASTM A108
		1	STEEL	V-10516-A6 (LH)	ASTM A108
3	3/4" SCH.XXS NIPPLE	2	STEEL	V-9616-16-A46	ASTM A106
4	1-1/2" SCH.160 PIPE	1	STEEL	V-11857- -A46	ASTM A106
5	3/4"-2500#RF FLG	2	STEEL	FA5-25-1-11P	ASTM A105
6	YOKE	2	STEEL	L-721-B	MIL-S-24093
7	STEM	2	416 SS		
8	SLEEVE	2	416 SS	S-10328-4-U	
9	LOOSE KNOB	2	STELLITE 3		
10	BUSHING	2	BRONZE	V-9868-F4	
11	PACKING GLAND	2	STEEL	V-18257-9-AL4	MIL-S-24093
12	PACKING RING SET	2	GRAFOIL	G-266	
13	VALVE STEM NUT	2	STEEL	V-9822-A	
14	HANDCHAIN	2	STEEL	P-3924	SEE NOTE 2
15	CHAIN GUIDE	2	ALUMINUM	PD-247-2-E8	QQ-A-601
16	SPACER WASHER	1	304 SS	V-10233-R	
17	RETAINING RING	1	304 SS	V-10232-R	
18	SPIRAL WOUND GASKET	2	SS/CHLORO.	P-5643-T	
19	CAP SCREW	8	STEEL	P-6475-B71	ASTM A193
20	CAP SCREW	4	STEEL	V-13947-B71	ASTM A193
21	SPROCKET RIM	1	ALUMINUM	V-10850-E8	QQ-A 601
22	NAME PLATE	2	BRASS	P-6211-F	



NOTES:

1. WHEN ORDERING COMPLETE SET AS SHOWN, SPECIFY DRAWING NUMBER, HANDING AND CENTERS.
2. HANDCHAIN (FOR SPROCKET RIM) IS LOCK LINK TYPE, MADE OF HOT DIP GALVANIZED STEEL. TWO PIECES 10' LONG SUPPLIED WITH VALVES.
3. VALVES AS SHOWN ARE USED WITH HVF PORT TYPE GAGES AS PER JERGUSON DWG. NO. GD-1751.
4. HYDROSTATICALLY TESTED @ 4500 PSIG.
5. REF. WEIGHT: 27" ASS'Y = 62-1/4#

SYM	REVISION	DATE	APP
2	REDRAWN & UPDATED	7/29/98	
1	PC. NO. 13 WAS G-166	5/28/87	

TIE BAR VALVES
3000# WSP
FOR USE WITH FIXED GAGES

JERGUSON GAGE & VALVE CO. STRONGSVILLE, OHIO, U.S.A.		DRAWN MJK	FILE NO.
		CHECKED	DRAWING NO. GD-1753
		APPROVED	REV. 2
SCALE NONE	DATE 7/29/98		