

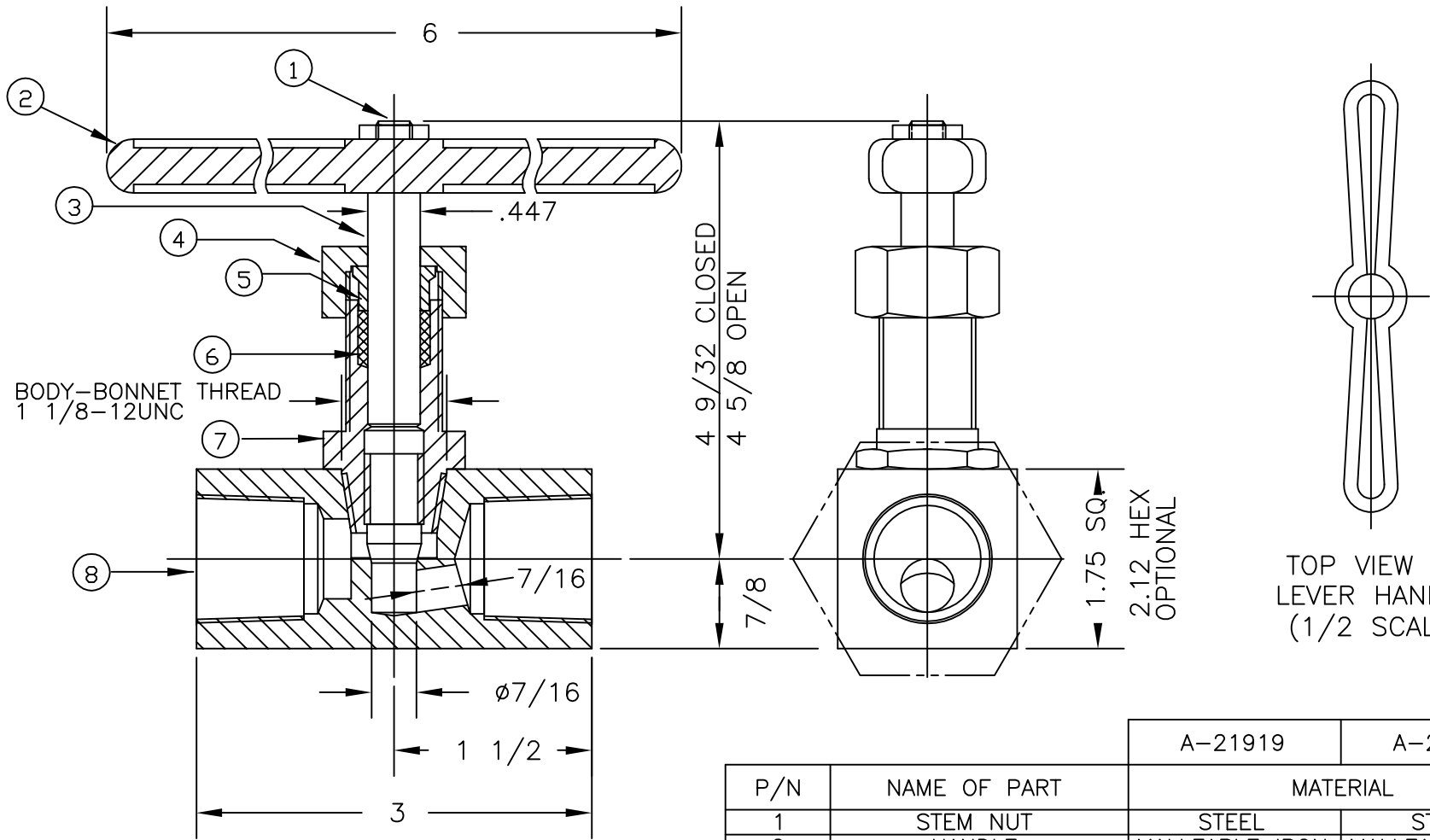
MATERIAL: SEE TABLE  
 DRAWN: CEL CHECKED: CEL  
 SCALE: NONE DATE: 11/23/04  
 REV. 3 PER CDC 04-206/MJK

JERGUSON  
 GAGE & VALVE CO.  
 STRONGSVILLE, OHIO, U.S.A.  
 PART NO.: GD-2003-

VALVE, 3/4 GLOBE  
 TOLERANCE CLASS:

DRAWING NO.: REV.  
 GD-2003 3  
 FILE NO.: 2-2228

\* TOLERANCES DEFINED BY PES-004



BODY-BONNET  
 1 1/8-12UNC  
 THREAD

TOP VIEW OF  
 LEVER HANDLE  
 (1/2 SCALE)

RATING: 10000 PSIG @ 100°F  
 500 PSIG @ 550°F

| P/N | NAME OF PART   | A-21919        | A-21920        |
|-----|----------------|----------------|----------------|
|     |                | MATERIAL       |                |
| 1   | STEM NUT       | STEEL          | STEEL          |
| 2   | HANDLE         | MALLEABLE IRON | MALLEABLE IRON |
| 3   | STEM           | 316 SS         | 316 SS         |
| 4   | GLAND NUT      | STEEL          | 316 SS         |
| 5   | GLAND FOLLOWER | STEEL          | 316 SS         |
| 6   | PACKING        | GRAFOIL        | TEFLON         |
| 7   | BONNET         | STEEL          | 316 SS         |
| 8   | BODY           | STEEL          | 316 SS         |