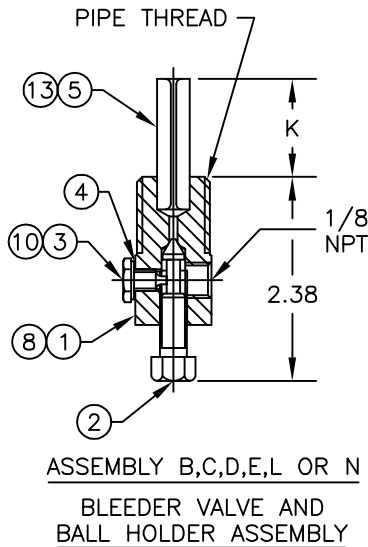
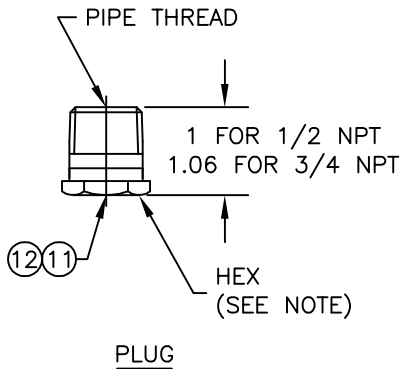


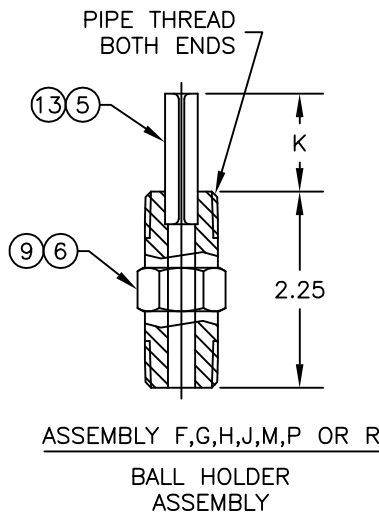
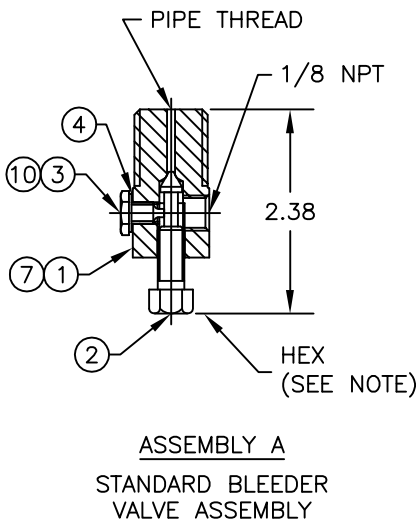
BILL OF MATERIAL																				
PIECE NO.	NAME OF PART	QUANTITIES (ZERO IF NOT SHOWN)												PART NO.	STD. MAT'L **					
		A	B	C	D	E	F	G	H	J	L	M	N			P	R			
1	BLEEDER BODY (1/2 NPT)	1																P-7510-A6	STEEL	
			1								1							P-8299-A6		
				1	1										1					P-7594-A6
2	BLEEDER STEM	1	1	1	1	1					1			1			P-7511-U	416SS		
3	LOCK SCREW (FOR 1/2)	1	1	1	1	1					1			1			P-7512-R	304SS		
4	LOCKWASHER	1	1	1	1	1					1			1			P-2277-R	304SS		
5	BALL HOLDER																	P-7664-A	STEEL	
					1					1								P-8295-A		
																				P-7595-A
							1				1									P-7831-A6
6	BALL HOLDER BODY									1					1			P-8296-A6	STEEL	
										1	1							P-7654-A6		
																				V-10551-A6
7	BLEEDER BODY (3/4 NPT)	1															V-10552-A6	STEEL		
8				1													V-10553-A6			
9										1									V-10554-R	
10	LOCK SCREW (FOR 3/4)	1	1							1							V-10554-R	304SS		
11	1/2 PIPE PLUG																P-309-A5	STEEL		
12	3/4 PIPE PLUG																P-2039-A5			
13	BALL HOLDER																	V-10683-A	STEEL	
																1		V-9826-A		
																				V-10684-A
																				V-10632-A
																		V-10633-A		

** OTHER MATERIALS AVAILABLE

NOTE: 7/8 HEX FOR 1/2 NPT
1-1/16 HEX FOR 3/4 NPT



BLEEDER VALVE ASSEMBLIES			
ASSEMBLY	ASSEM. NO.	FOR VALVES	"K" DIM.
A	1/2 NPT 3/4 NPT	S-8049- S-10857-	STANDARD -
B		S-8475-	136V & 56V 7/8
C	1/2 NPT	S-8224-	147V & 67V
	3/4 NPT	S-10858-	147V & 67V
D		S-12694-	77BLVS 2
E		S-8736-	77V 3 3/4
L		S-13148-	86V 2 3/8
N		S-13436-	77BLV 2 7/8



BALL HOLDER ASSEMBLIES			
ASSEMBLY	ASSEM. NO.	FOR VALVES	"K" DIM.
F		S-8450-	136V & 56V 7/8
G	1/2 NPT	S-8445-	147V & 67V
	3/4 NPT	S-10859-	147V & 67V
J		S-8965-	77V 3 3/4
M		S-13437-	86V 2 3/8
P	1/2 NPT	S-10926-	77BLV
	3/4 NPT	S-19141-	77BLV
R		S-10897-	77BLVS 2

PLUGS, BLEEDERS & BALL
CHECK HOLDERS FOR
JERGUSON VALVES

JERGUSON
GAGE & VALVE CO.
STRONGSVILLE, OHIO, U.S.A.

DRAWN
MJK
CHECKED
DMD
APPROVED

FILE NO.
DRAWING NO.
GD-1644
REV. 5

5 REDRAWN ON CAD	3/02	DMD
REVISION	DATE	APP

SCALE NONE DATE 3/28/02