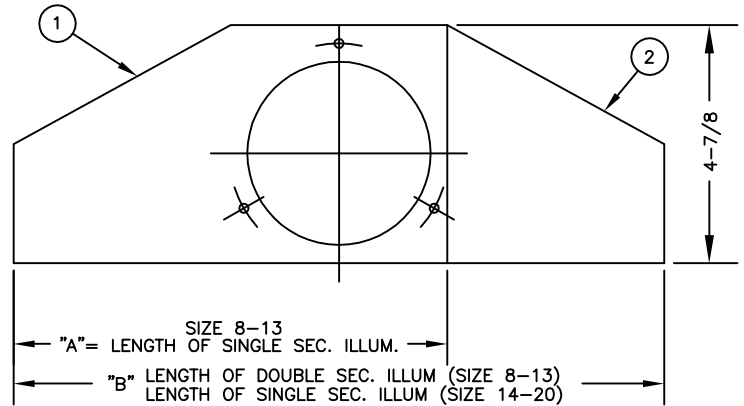
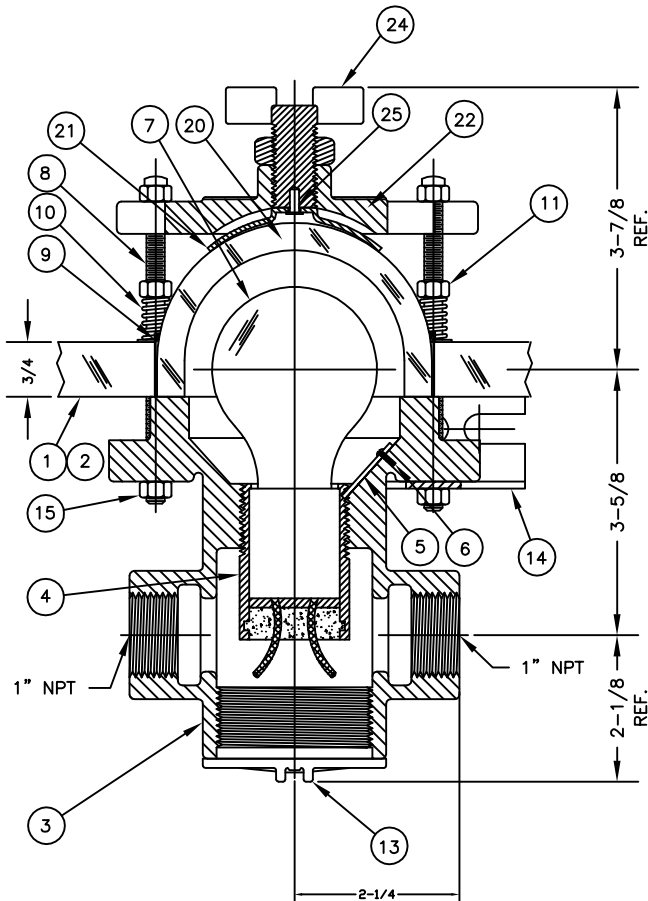
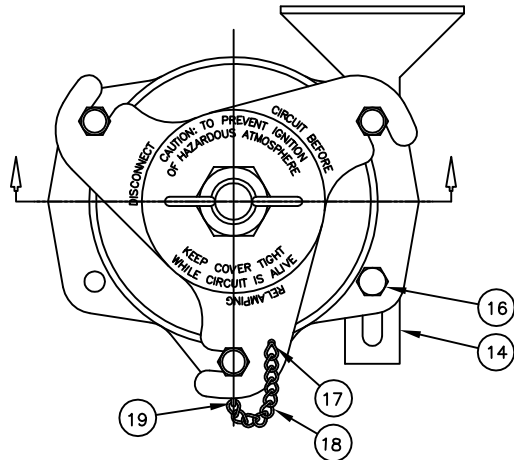
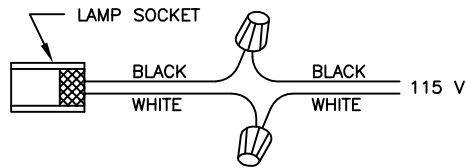


DIMENSIONAL DRAWING FOR
 APPROVAL BY: ROMATEC
 P.O. #: 01-00208325
 OUR #: CO 238753
 REF. TAG #: LG-51012; LG-51514; LG-51712



BILL OF MATERIAL

PIECE NO.	NAME OF PART	QUAN.	MATERIAL	PART NO.
1	SINGLE WEDGE REFLECTOR	1	PLEXIGLASS	SEE TABLE
2	DOUBLE WEDGES REFLECTOR	1	PLEXIGLASS	SEE TABLE
3	LAMP HOUSING	1	CAST ALUM.	L-86
4	LAMP SOCKET ASSY.	1	ALUM.	S-2887
5	SOCKET LOCKING CLIP	1	HARD FIBRE	P-4140
6	#4-40 THD. SCREW	1	BRASS	P-2875
7	58 WATT LAMP, MED. BASE	1	-----	P-4598
8	STUD 1/4"-20	3	ALUM.	P-4141
9	WASHER	3	304 S.S.	P-2277
10	SPRING	3	304 S.S.	P-2262
11	NUT	3	ALUM.	P-2582
12	ACORN NUT 1/4"-20	3	ALUM.	P-4774
13	HOUSING CAP	1	ALUM.	P-2216
14	BRACKET	1	STEEL	V-11992
15	1/4"-20 NUT	4	ALUM.	P-4162
16	1/4"-20 HEX HD. SCREW	1	ALUM.	P-4145
17	COTTER PIN	1	S.S.	P-5655
18	CHAIN	1	GAL. STEEL	
19	"S" HOOK	1	GAL. STEEL	S-5223
20	LENS	1	GLASS	
21	WASHER	1	ALUM.	
22	LENS PLATE	1	ALUM.	S-3746
23	JAM NUT	1	ALUM.	
24	THUMB SCREW	1	ALUM.	
25	DRIVE PIN	1	STEEL	

TABLE		CODE NO'S.	
SIZE	A	B	
8	10 13/16	16 1/8	EPL-56-851
9	11 13/16	18 1/8	EPL-56-852
10	12 13/16	20 1/8	EPL-56-951
11	13 13/16	22 1/8	EPL-56-952
12	15 1/16	25 1/8	EPL-56-1051
13	16 1/16	27 1/8	EPL-56-1052
14	---	13 3/8	EPL-56-1151
15	---	14 7/8	EPL-56-1152
16	---	15 3/8	EPL-56-1251
17	---	16 3/8	EPL-56-1252
18	---	17 3/8	EPL-56-1351
19	---	18 3/8	EPL-56-1352
20	---	20	EPL-56-1451
			EPL-56-1551
			EPL-56-1651
			EPL-56-1751
			EPL-56-1851
			EPL-56-1951
			EPL-56-2051
ASSEMBLY NO.		SIZES 8-13	A-9376
		14-20	A-9378
EPL-56 ILLUMINATOR HOUSING ASSEMBLY (LESS WEDGE, REFLECTOR, AND BRACKET)			A-9377
			S-3820

CLASS 1, GROUP C,D, DIVISION 1
 CLASS 1, GROUP B, DIVISION 2

UL APPROVED NO E-22696 GUIDE NO. 120 12
 EPL-56
 EXPLOSION PROOF ILLUM.
 FOR SERIES 5 & 12 GAGES

JERGUSON
 GAGE & VALVE CO.
 STRONGSVILLE, OHIO, U.S.A.

DRAWN
 CMS
 CHECKED
 CEL
 APPROVED

FILE NO.
 DRAWING NO.
 GD-1244
 REV. 9

SYM	REVISION	DATE	APP
9	REDRAWN & UPDATED	7/22/92	
8	ADDED WIRING DIAGRAM	5/8/87	
7	ADDED PIECE #15 RR-3649	4/12/83	
6	REDRAWN	6/17/76	

SCALE NONE DATE 7/22/92