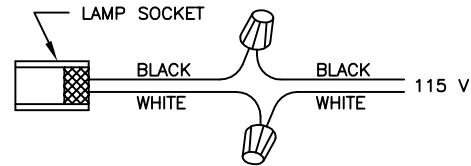
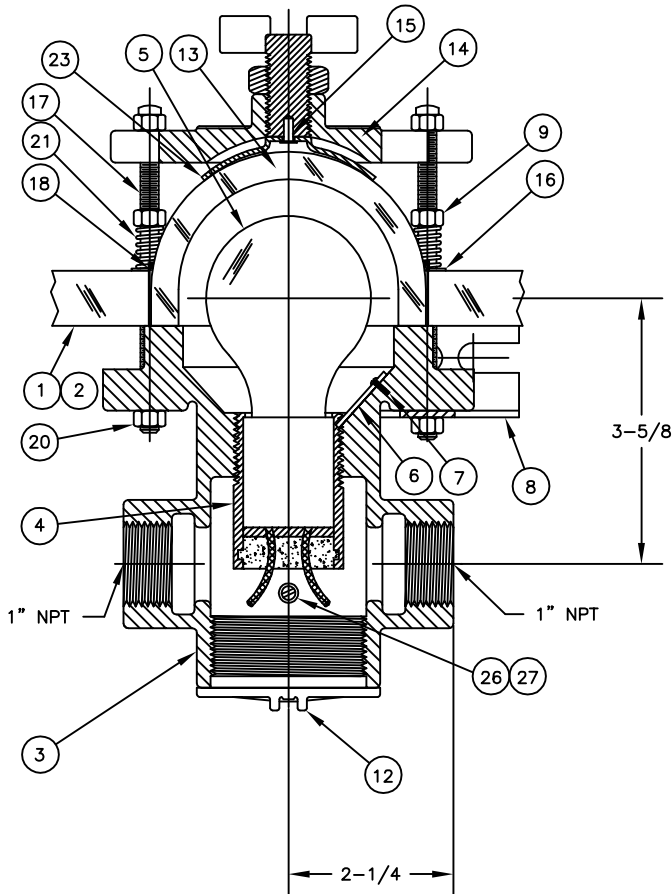
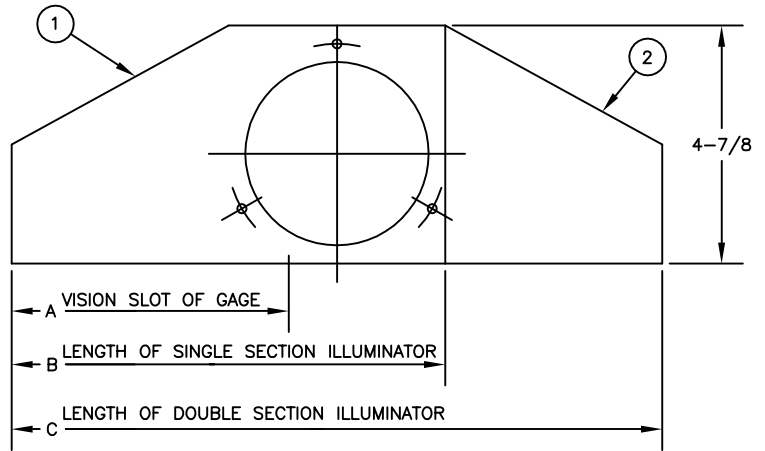
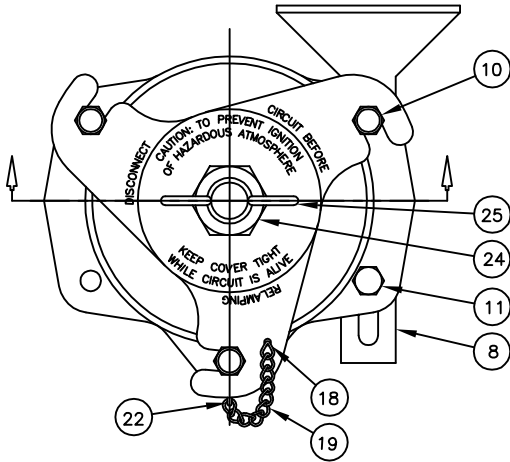


DIMENSIONAL DRAWING SUBMITTED FOR APPROVAL BY: MORITANI AMERICA, INC.
 P. O. #: 2843-2799
 OUR #: CO 241475
 REF TAG: LG-9193

BILL OF MATERIAL

PIECE NO.	NAME OF PART	QUAN.	MATERIAL	PART NO.
1	SINGLE WEDGE REFLECTOR	1	PLEXIGLASS	SEE TABLE
2	DOUBLE WEDGES REFLECTOR	1	PLEXIGLASS	SEE TABLE
3	LAMP HOUSING	1	CAST ALUM.	L-86
4	LAMP SOCKET ASSY.	1	ALUM.	S-2887
5	58 WATT LAMP, MED. BASE	1	-----	P-4598
6	SOCKET LOCKING CLIP	1	HARD FIBRE	P-4140
7	#4-40 THD. SCREW	1	BRASS	P-2875
8	BRACKET SINGLE & DOUBLE SEC.	1	STEEL	P-4103
9	NUT	3	ALUM.	P-2582
10	ACORN NUT 1/4-20	3	ALUM.	P-4774
11	1/4"-20 HEX HD. SCREW SINGLE & DOUBLE SEC.	1	ALUM.	P-4145
12	HOUSING CAP	1	ALUM.	P-2216
13	LENS	1	GLASS	S-3746
14	LENS PLATE	1	ALUM.	S-3746
15	DRIVE PIN	1	STEEL	S-3746
16	WASHER	3	304 S.S.	P-2277
17	STUD 1/4"-20	3	ALUM.	P-4141
18	COTTER PIN	1	S.S.	P-5655
19	CHAIN	1	GAL. STEEL	S-5223
20	1/4"-20 NUT SINGLE & DOUBLE SEC.	4	ALUM.	P-4162
21	SPRING	3	304 S.S.	P-2262
22	"S" HOOK	1	GAL. STEEL	S-5223
23	WASHER	1	ALUM.	S-3746
24	JAM NUT	1	ALUM.	S-3746
25	THUMB SCREW	1	ALUM.	S-3746
26	GROUND SCREW (#6-32)	1	BRASS	V-15738
27	WASHER	1	BRASS	V-15828



SIZE	TABLE			CODE NO'S.	
	A	B	C	SING. SEC.	DOUB. SEC.
1	3 5/8	6 15/16	8 7/8	EPL-56-121	---
2	4 5/8	7 15/16	10 7/8	EPL-56-221	---
3	5 5/8	8 15/16	12 7/8	EPL-56-321	---
4	6 5/8	9 15/16	14 7/8	EPL-56-421	EPL-56-422
5	7 3/4	11 1/16	17 3/8	EPL-56-521	EPL-56-522
6	9	12 9/16	20	EPL-56-621	EPL-56-622
7	10 1/8	13 13/16	22 1/8	EPL-56-721	EPL-56-722
8	11 3/4	15 1/16	25 1/8	EPL-56-821	EPL-56-822
9	12 1/2	16 1/16	27 1/8	EPL-56-921	EPL-56-922
EPL-56 ILLUMINATOR ASSEMBLY				A-7777	A-7778
EPL-56 ILLUMINATOR HOUSING ASSEMBLY (LESS WEDGE, REFLECTOR, AND BRACKET)				S-3820	

CLASS 1, GROUP C,D, DIVISION 1
 CLASS 1, GROUP B, DIVISION 2

UL APPROVED NO E-22696 GUIDE NO. 120 12
EPL-56
EXPLOSION PROOF ILLUM.
 FOR SERIES L-10, 20, & 32 GAGES

JERGUSON
GAGE & VALVE CO.
 STRONGSVILLE, OHIO, U.S.A.
 SCALE NONE DATE 06/10/05

DRAWN FWK
 CHECKED CEL
 APPROVED
 FILE NO. GD-1112
 DRAWING NO.
 REV. 9

SYM	REVISION	DATE	APP
9	REDRAWN & UPDATED	4/12/93	
8	ADDED GROUND SCREW	2/7/89	
7	REDRAWN	5/29/86	