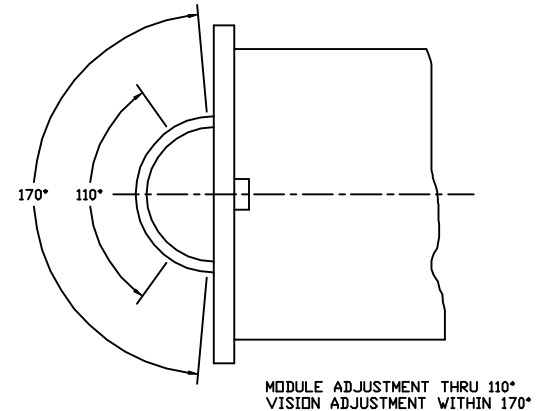


BILL OF MATERIAL

ITEM	PART #	QTY	DESCRIPTION	MAT'L	DWG. #
1	PFV-5	1	VIEWER HOUSING	ALUM.	FL7003B
2	PFV-6	2	MODULE RETAINER	ALUM.	FL7001A
3	PFV*7	1	ADJ. VIEWER MODULE	ALUM.	FL7002AB
4	X172631	2	SET SCREW 10-24 X 1/2	S.S.	-
5	X172626	4	SOC. HD. CAP SCREW 10-24 X 1/2	S.S.	-
6	E30-15	1	CONNECTOR	-	-
7	MI-16	2	PANEL BRACKET	C.R.S.	A13177A
8	X171271	2	HEX NUT 1/4-20	STEEL	-
9	X174215	2	STUD 1/4-20 X 1'	STEEL	-
10	FL-1A	1	NAMEPLATE	ALUM.	FL1004A
11	PFV-4	*	LENSE RETAINER	S.S.	A19754
12	PFV-2	*	LENSE	GLASS	A19754
13	PFV-3	*	SPACER RING	RUBBER	A19754
14	PFS-9	*	CONNECTOR	BRASS	-
15	X173081	2	ROLL PIN 1/4 DIA.X1/2	STEEL	-

*-NO. OF PORTS IN SIMPLIPORT GAGE TO BE USED WITH FIBER LEVEL



TO ADJUST:
 1) LOOSEN SET SCREWS(ITEM 4)
 2) ROTATE MODULE TO DESIRED ANGLE
 3) LOCK IN PLACE

~INSTALLATION NOTE~
 CUTOUT 2 5/8 (67) WIDE BY
 11 3/8 (289) LONG SLOT IN PANEL TO MOUNT

* TOLERANCES DEFINED BY PES-004

MATERIAL: X		CLARK-RELIANCE CORP. STRONGSVILLE, OHIO, U.S.A.	FIBER LEVEL ADJ. REMOTE VIEWER	DRAWING NUMBER:	REV.
DRAWN: SMH	CHECKED: X			FL1001-B	1
SCALE: NONE	DATE: 12/13/95	PART NO.: PFLV*-A	TOLERANCE CLASS: B		
REV. 1					