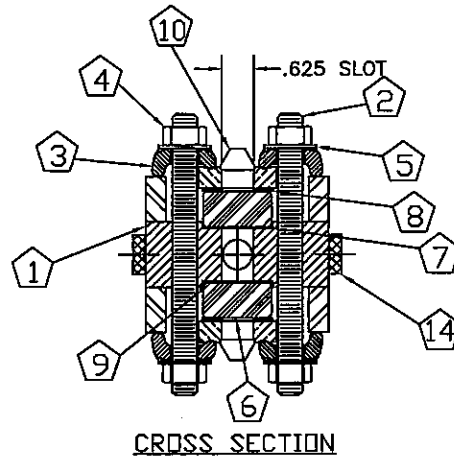


CERTIFIED TO:
IRON FIREMAN
P.O. NIF-CR-3570

WORKING STEAM PRESSURE: 450 PSI
HYDROSTATIC TEST AT 700 PSI



CROSS SECTION

LIST OF MATERIAL PER WINDOW

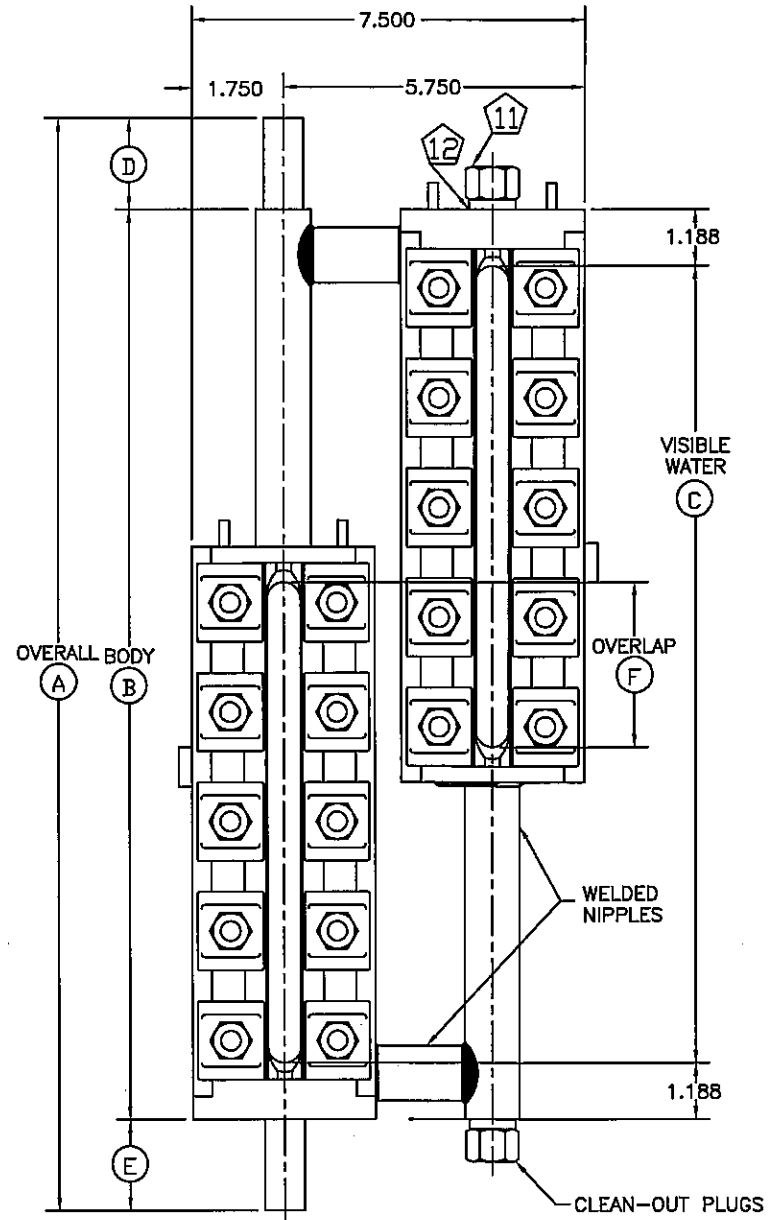
ITEM	PART NO.	REQ.	DESCRIPTION	MATERIAL	DWG. NO.
1	RFG**1	1	BODY	STEEL	
2	X173710		STUD 7/16"-20	A-193-B7	
3	RM40 6		CLAMP	STEEL	A-4892
4	X171451		HEX NUT 7/16"-20	A-194-2H	
5	X174212		WASHER	STEEL	
6	V16758 *	2	BOROSILICATE GLASS	GLASS	V-16756
7	R*G89 60	2	SEALING GASKET	GRAFIL	B-11060
8	V18980*	2	CUSHION GASKET	FIBER	V-18980
9	RFG*0 3	2	MICA	MICA	B-7701
10	RPG* 2	2	COVER PLATE	STEEL	A-3749U
11	RE10 9		HEX PLUG 5/8-18	STEEL	A-6805-5
12	X175500		PLUG GASKET	MONEL	A-5418
13	RFG40 8	1	NAME PLATE	ALUMINUM	A-3876-1
14	RFG400 1	2	SIDE BOSS	STEEL	FG7115A

TO COMPLETE PART NO.: * ADD LAST NUMERAL OF GAUGE NO.
** ADD GAUGE NO.

STANDARD SIZES

PART NO.	A	B	C	D	E	F	NO. OF STUDS	MIN. SG854 W.G. CENTERS
SINGLE WINDOW GAUGES								
FG404	8.125	6.625					8	17
FG405	9.250	7.750					8	18
FG406	10.500	9.000					10	20
FG407	11.625	10.125					12	21
FG408	13.250	11.750					14	22
FG409	14.000	12.500					14	23
DOUBLE WINDOW GAUGES								
FG466	17.375	15.000			3.000		20	26
FG477	19.875	17.500			2.750		24	29
FG488	22.375	20.000			3.500		28	31
FG499	23.875	21.500			3.500		28	33

WITH SG854 SERIES VALVES, D=3.125, E=2.250 (MIN)
WITH 403RS, 404RS SERIES VALVES, D=1.750, E=1.375 (MIN)



* TOLERANCES DEFINED BY PES-004

MATERIAL: SEE CHART

DRAWN: BAC CHECKED: X

SCALE: NONE DATE: 8/1/96

REV. 3 PER CDC 96-173
4) CDC04-134 REMOVED SIDE CLEAN OUT CONN. 10/26/04 ST

CLARK-RELIANCE CORP.
STRONGSVILLE, OHIO, U.S.A.

PART NO.: SEE CHART

FG400 SERIES
FLAT GLASS GAGE

TOLERANCE CLASS: X

DRAWING
NUMBER:

FG1164A

REV.

4