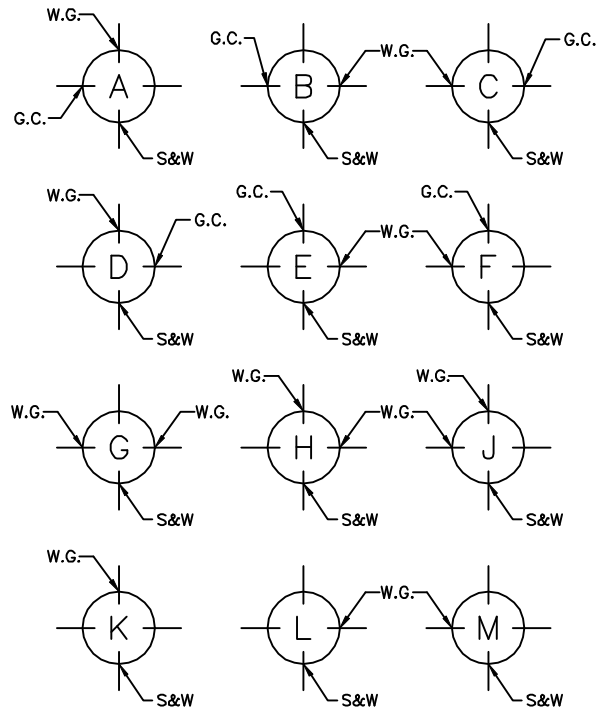


REQUIRED INFORMATION:

- * STEAM & WATER CENTERS
 - SIZE AND TYPE OF CONNS.
- * WATER GAGE VALVE CONNS. (SIZE AND TYPE)
 - WATER GAGE VISIBILITY (OR VALVE CENTERS IF EXISTING COLUMN)
- * ALARM VARIATION AND PROBE FUNCTION LOCATIONS
- * N.W.L. LOCATION
- * SPECIFY FIGURE ARRANGEMENT FOR WATER COLUMN CONNS.



TYPE OF COLUMN REQUIRED:

- WHISTLE ALARM TYPE
- ELECTRODE ALARM TYPE
- NO ALARM TYPE
- DESIGN PRESSURE

W.G. = WATER GAGE VALVE CONNS.
S&W = STEAM AND WATER CONNS.
G.C. = GAGE COCK CONNS.

| | | | | | | | | | |
|-----------|-------------|------|-----|---|--|--------------------------------------|--|-------------------------|--|
| | | | | UNLESS OTHERWISE NOTED | | THE CLARK-RELIANCE CORP. | | MATERIAL | |
| | | | | TOLERANCES (IN) | | STRONGSVILLE, OHIO | | DRAWN P.A.S. SCALE NONE | |
| | | | | DECIMAL & STOCK | | | | CHECK DATE 8-2-95 | |
| | | | | FIN. FRACTIONAL 0/8" UP TO 1", NOT INCL. > (.010) | | | | DRAWING NO. E040-B | |
| | | | | FIN. FRACTIONAL 1/8" INCL. UP TO 3" 1/64 | | | | REV. | |
| | | | | FIN. FRACTIONAL 3/8" INCL. UP TO 6" 1/32 | | | | | |
| | | | | FIN. FRACTIONAL 6" INCL. UP TO 12" 1/16 | | | | | |
| | | | | FIN. FRACTIONAL 12" & OVER 1/8 | | | | | |
| | | | | ANGLES | | | | | |
| | | | | MACHINE FINISH- 12° OR SMOOTHER | | | | | |
| | | | | REMOVE BURRS AND SHARP EDGES | | | | | |
| REV | DESCRIPTION | DATE | SIG | | | FORGED STEEL WATER COLUMN DATA SHEET | | | |
| REVISIONS | | | | | | | | | |