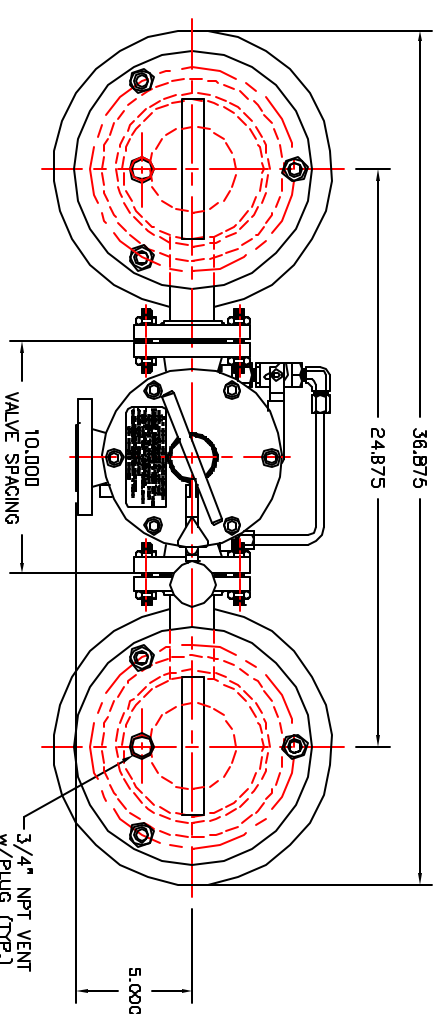


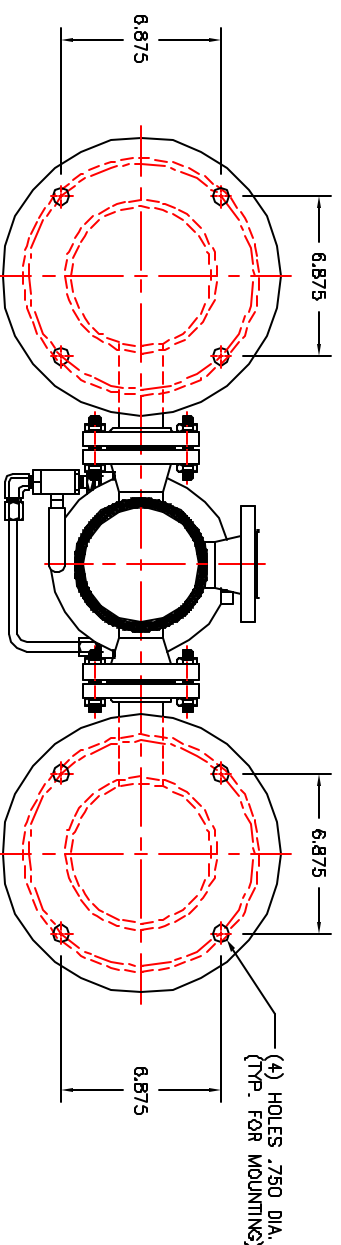
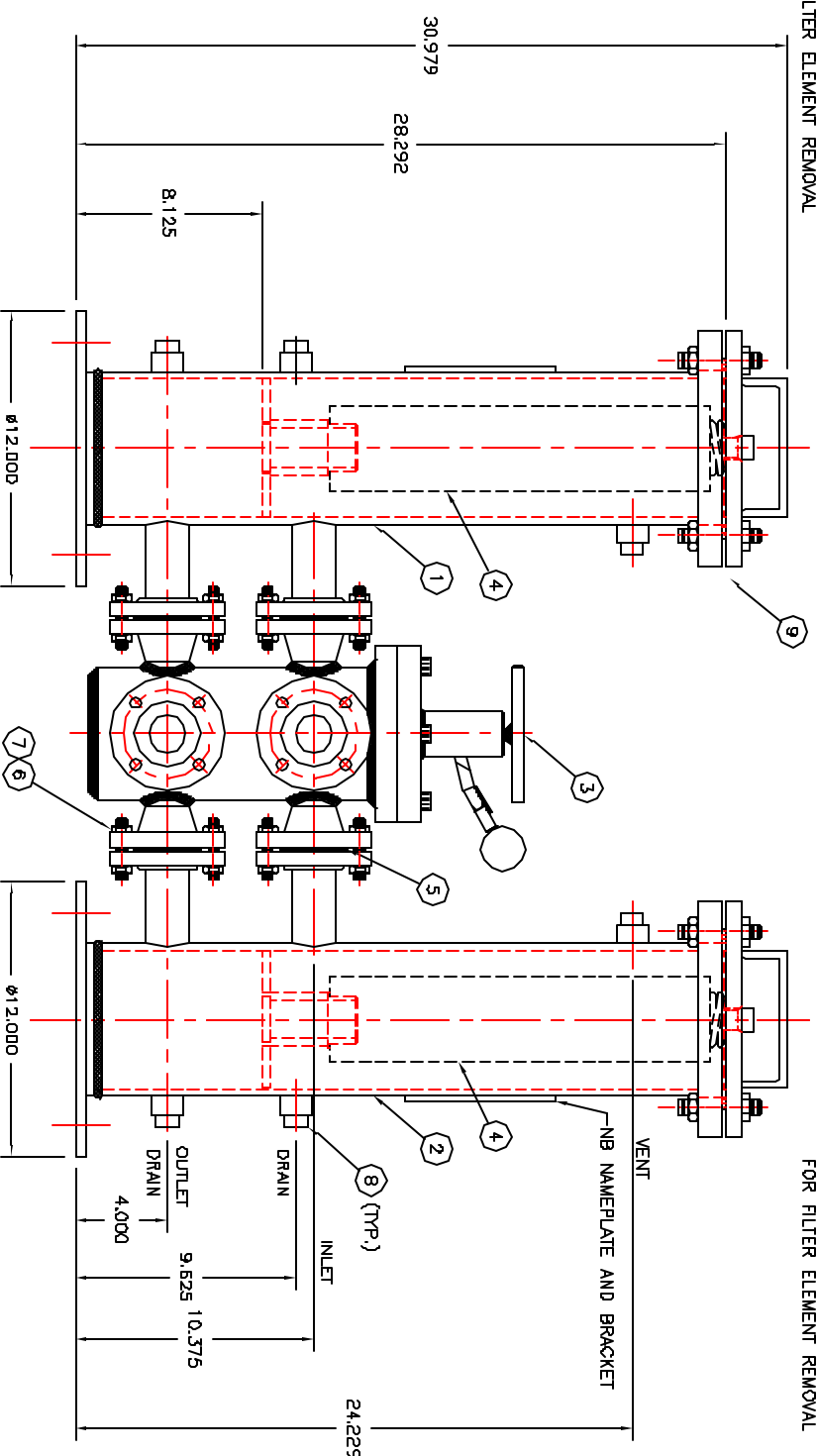
BILL OF MATERIAL		QUANTITY	MATERIAL
PART	DESCRIPTION		
1	FILTER VESSEL BODY V*****-D4-21AF-M11	1	CARBON STEEL
2	FILTER VESSEL BODY V*****-D4-21AF-M11	1	CARBON STEEL
3	1-1/2" 150# JRS3 VALVE J8CJUS24LSX	1	CARBON STEEL
4*	ELEMENT V164-*****-B-1	2	
5	GASKET 150# RF	4	NON-ASBESTOS
6	STUD 1/2-13 X 3"	18	SA-193 GRADE B7
7	HEAVY HEX NUT 1/2-13	32	SA-194 GRADE 2H
B	3/4" NPT PLUG	8	SA-105
9*	O-RING 2-365	2	BUNA

\*SPARE PART



NOTE:  
17" OVERHEAD CLEARANCE REQUIRED  
FOR FILTER ELEMENT REMOVAL

NOTE:  
17" OVERHEAD CLEARANCE REQUIRED  
FOR FILTER ELEMENT REMOVAL



**WARNING:**  
UNIT MUST BE BOLTED TO FLOOR  
BEFORE ATTEMPTING TO OPEN VESSEL COVERS

**CONNECTIONS:**  
INLET/OUTLET: 1-1/2" 150# ANSI RF WELD NECK FLANGE  
DRAIN PORTS: 3/4" NPT  
VENT PORT: 3/4" NPT

**PRESSURE RATING**  
260 PS @ 200 DEG. F

**SWITCH OVER INSTRUCTIONS**

1. ARROW ON VALVE HANDLE POINTS TO FILTER VESSEL IN USE.
2. OPEN BYPASS VALVE (TO PRESSURIZE STANDBY VESSEL).
3. BLEED AIR FROM STANDBY VESSEL WITH AIR BLEED ON LID OF VESSEL, THEN CLOSE AIR BLEED.
4. ON TRANSFER VALVE UNSCREW TEE HANDLE, PUSH DOWN AND ROTATE VALVE HANDLE 180°, HAND TIGHTEN TEE HANDLE.
5. CLOSE BYPASS VALVE.

**ELEMENT CHANGE INSTRUCTIONS**

1. BLEED PRESSURE FROM STANDBY VESSEL WITH VENT VALVE
2. DRAIN VESSEL (IF REQUIRED).
3. REMOVE COVER BOLTS AND LID.
4. CHANGE ELEMENTS.
5. POSITION LID AND BOLTS AND TIGHTEN EVENLY.
6. CLOSE DRAIN AND VENT VALVE.
7. STANDBY VESSEL IS NOW READY FOR NEXT SWITCH OVER.

**NOTES:**

1. FILTER VESSEL CONSTRUCTION PER ASME CODE SECTION VIII, DIV. 1, LATEST ADDENDA U, STAMP AND NATIONAL BOARD REGISTERED
2. MATERIALS OF CONSTRUCTION ALL WETTED PARTS TO BE CARBON STEEL  
ALL WELDED ATTACHMENTS TO BE CARBON STEEL  
PAINT: HOUSING TO BE PRIMED ONLY  
W/SHERWIN-WILLIAMS KEM GRAY 500-2316, #E61A45  
DESIGN PRESSURE
3. DESIGN TEMPERATURES
4. 260 PSIG
5. APPROXIMATE WEIGHTS  
EMPTY: 876#  
OPERATING: 1186#
6. FILTER MEDIA  
1 15.9 LBS. LINDS FILTER CARTRIDGE  
1 PER HOUSING  
FILTER ELEMENT #HY-V164-\*\*\*\*\*-B-1  
\* MICRON, B. = 200
7. O-RING MATERIAL  
BUNA
8. HYCOA NUMBER  
D4-21AF-M11-000-\*\*\*\*\*

THESE DESIGNS ARE SUBMITTED WITH THE UNDERSTANDING  
THEY CANNOT BE COPIED OR USED WITHOUT THE EXPRESS  
PERMISSION OF CLARK RELIANCE CORPORATION.



CLARK-RELIANCE CORPORATION  
1601 PINE HAVEN STRAUSVILLE, OHIO 44118  
TEL: 44-57-6201 FAX: 44-57-281-8021

DUPLIX FILTER ASSEMBLY  
WITH 1-1/2" 150# JRS3 VALVE

NO.	REV.	REASON	DATE	BY	CHKD.
0		CHANGE			
THESE DESIGNS ARE SUBMITTED WITH THE UNDERSTANDING THEY CANNOT BE COPIED OR USED WITHOUT THE EXPRESS PERMISSION OF CLARK RELIANCE CORPORATION.			DRAWING NO. D4-21AF-M11 SCALE 1:1 DATE 3/18/05		