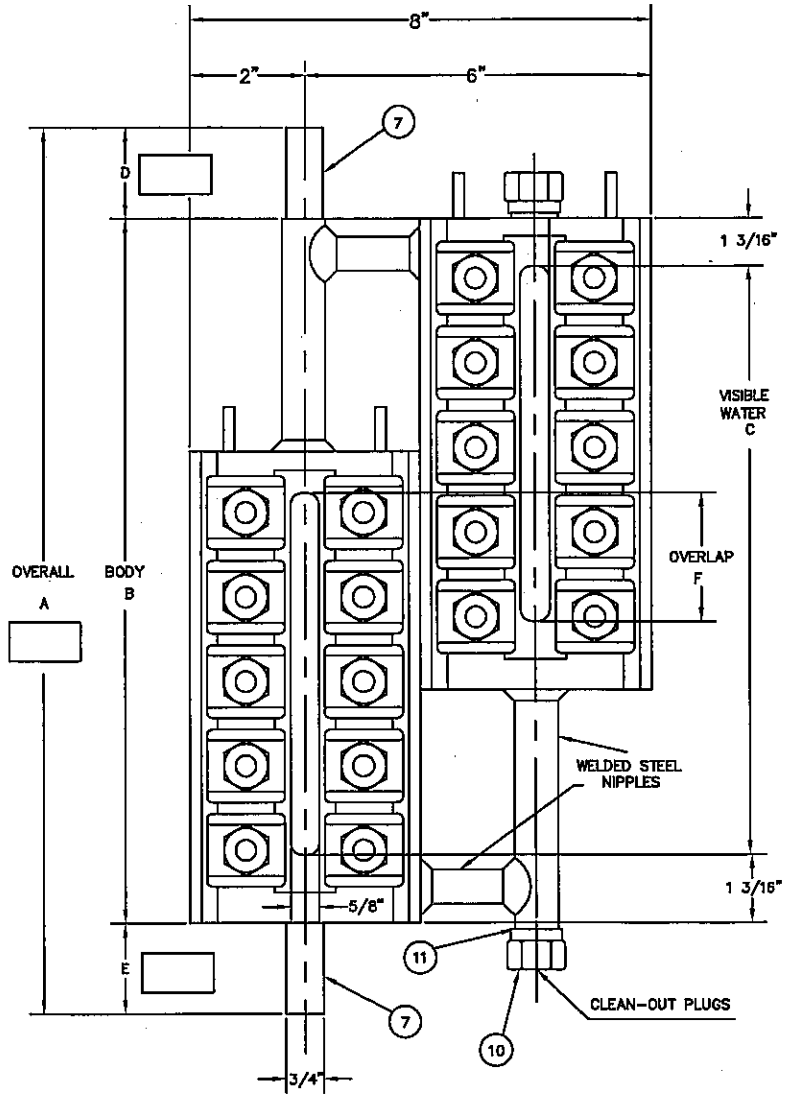


LIST OF MATERIAL PER WINDOW

ITEM	PART NO.	REQ	DESCRIPTION	MATERIAL	DWG. NO.
1	FG*-1	1	BODY	STEEL	
2	*G89 60	2	SEALING GASKET	GRAFOL	B-11060
3	X173710		STUDS 7/16-20 X 5 3/8 (FG900-1)	A193-B7	B-6567
4	PG+-2	2	COVER PLATES, 5/8" SLOT	STEEL	A-3749
5	M40-6		CLAMPS PATT. NO. 4892	STEEL	A-4892
6	X171451		HEX. NUTS, 7/16"-20 THR'D. (M40-7)	A194-2H	
7	PG4-***		NIPPLES	304SS	AB-15424
8	V16758-*	2	GLASS-PLAIN FLAT (HIGH PRES.)	GLASS	V16758
9	X174212		WASHERS, 7/8" O.D. X 15/32" I.D. X 5/32" THK (M40-10)	STEEL	
10	E10-9	4	HEX. PLUGS, 5/8"-18 THR'D.	STEEL	A-6805
11	E10-10	4	GASKETS, 7/8" X 5/8" I.D.	MONEL	A-5418
12	FG+0-3	2	UNITS MICA .007" TO .010" THICK	MICA	B-7701
13	V18980*	2	CUSHION GASKET	FIBER	

TO COMPLETE PART NO.: * ADD GAGE NO. + ADD LAST NUMERAL OF GAGE NO.
 *** ADD NIPPLE LENGTH IN INCHES AND EIGHTHS.



STANDARD SIZES

GAGE NO.	A	B	C	D	E	QUAN. NO. STUDS	MIN. SG854 W.G. CTRS
FG904	8 1/8"	6 5/8"				10	17
FG905	9 1/4"	7 3/4"				10	18
FG906	10 1/2"	9"				12	20
FG907	11 5/8"	10 1/8"				14	21
FG908	13 1/4"	11 3/4"				16	22
FG909	14"	12 1/2"				16	23

WITH SG854 SERIES VALVES D=3 1/8", E=2 1/4" (MIN.)
 WITH 403RS, 404RS SERIES VALVES D=1 3/4", E=1 3/8" (MIN.)

WORKING STEAM PRESSURE 900 P.S.I.
 HYDROSTATIC TEST AT 1400 P.S.I.

STANDARD SIZES

GAGE NO.	A	B	C	D	E	F	QUAN. NO. STUDS	MIN. SG854 W.G. CTRS
FG966		17 3/8"	15"				24	26
FG977		19 7/8"	17 1/2"				28	29
FG988		22 3/8"	20"				32	31
FG999		23 7/8"	21 1/2"				32	33

<p>UNLESS OTHERWISE NOTED: TELEPHONE CO. RECORDS & STUDS FIN. FRACTIONAL (UP TO 1/4" NOT INCL.) 1/16" FIN. FRACTIONAL (1/4" INCL. UP TO 3/4") 1/32" FIN. FRACTIONAL (3/4" INCL. UP TO 1") 1/64" FIN. FRACTIONAL (1" INCL. UP TO 12") 1/8" FIN. FRACTIONAL (12" & OVER) 1/4"</p>	<p>THE CLARK-RELIANCE CORP. STRONGSVILLE, OHIO</p> <p>FG 900 SERIES MICA-PROTECTED FLAT GLASS GAGE</p>	<p>MATERIAL DRAWN LS DATE 10-6-52 SCALE NONE INCHES REV. 14</p>
<p>14 REMOVE SIDE CLEAN OUT COIL. 10/25/54 ST 13 ITEM 13 CUSHION GASKET WAS V17280 6-6-52 FAS 12 MATERIAL UPDATE / REDRAW 10-6-52 LS REV DESCRIPTION DATE SIG REVISIONS</p>	<p>INCHES FRACTIONAL: 1/16" OR SMALLER REMOVE SIDING AND SHARP EDGES</p>	<p>BRWING NO. B-7010</p>