

BILL OF MATERIAL

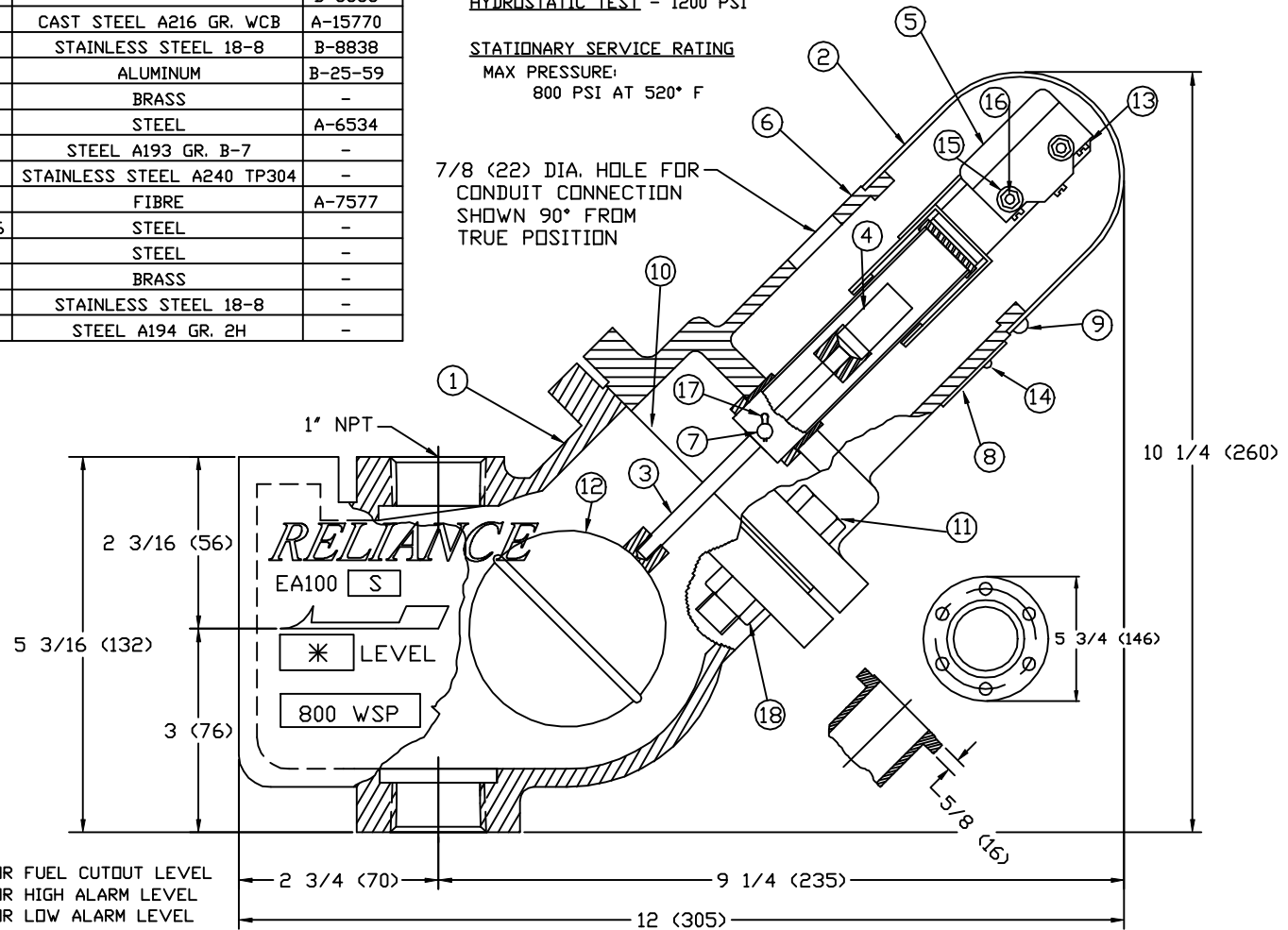
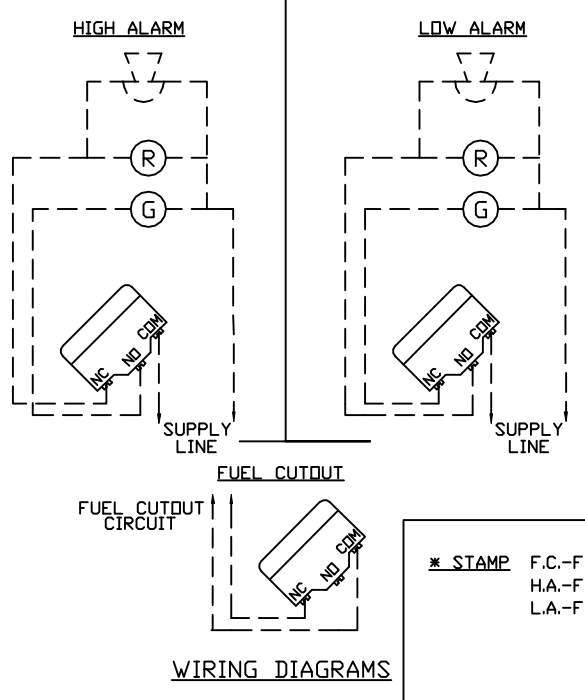
ITEM	PART #	QTY.	DESCRIPTION	MATERIAL	DWG. #
1	EA100S-2	1	BODY	CAST STEEL A216 GR. WCB	B-11878
2	EA100-23	1	SWITCH COVER	MONEL B127-58	B-8838
3	EA100-12	1	CONNECTOR ROD ASSEMBLY	STAINLESS STEEL 18-8	B-8838
4	EA100-13	1	MAGNET ASSEMBLY	ALNICO V NICKEL PLATED	B-8838
5	EA100-14X	1	SWITCH ASSEMBLY	-	B-8838
6	EA100R-27S	1	SWITCH HOUSING ASSEMBLY	CAST STEEL A216 GR. WCB	A-15770
7	EA100-21	1	LEVER PIN	STAINLESS STEEL 18-8	B-8838
8	EA100-17	1	NAME PLATE	ALUMINUM	B-25-59
9	X172910	1	RHMS 10-24 X 1/4	BRASS	-
10	C1-3	1	GASKET	STEEL	A-6534
11	X172372	6	CAP BOLT 1/2-13 X 2	STEEL A193 GR. B-7	-
12	F3S	1	FLOAT	STAINLESS STEEL A240 TP304	-
13	EA6-15	1	SWITCH INSULATOR	FIBRE	A-7577
14	X173260	2	METALLIC DRIVE SCREW U4 X 3/16	STEEL	-
15	X174280	2	SHAKEPROOF #6 LOCK WASHER	STEEL	-
16	X172860	2	R.H. SCREW & NUT 6-32 X 1	BRASS	-
17	X171700	2	COTTER PIN 1/32 X 1/2"	STAINLESS STEEL 18-8	-
18	X171501	6	HEAVY HEX NUT 1/2-13	STEEL A194 GR. 2H	-

NOTES: MICRO SWITCH, TYPE BZ-2RW82444-A2
 UNDERWRITER APPROVED
 FOR THE FOLLOWING RATINGS:
 5A-125,250, OR 480 VAC
 1/2A-125 VDC
 1/4A-250 VDC

HYDROSTATIC TEST - 1200 PSI

STATIONARY SERVICE RATING
 MAX PRESSURE:
 800 PSI AT 520° F

7/8 (22) DIA. HOLE FOR
 CONDUIT CONNECTION
 SHOWN 90° FROM
 TRUE POSITION



* TOLERANCES DEFINED BY PES-004

MATERIAL: X
 DRAWN: SMH CHECKED: X
 SCALE: NONE DATE: 8/31/95
 REV. 7 PER CDC 95-127

CLARK-RELIANCE CORP.
 STRONGVILLE, OHIO, U.S.A.

PART NO.: SEE CHART

EA100S LEVALARM
 ASSEMBLY
 TOLERANCE CLASS: X

DRAWING
 NUMBER:
 B-9970

REV.
 7