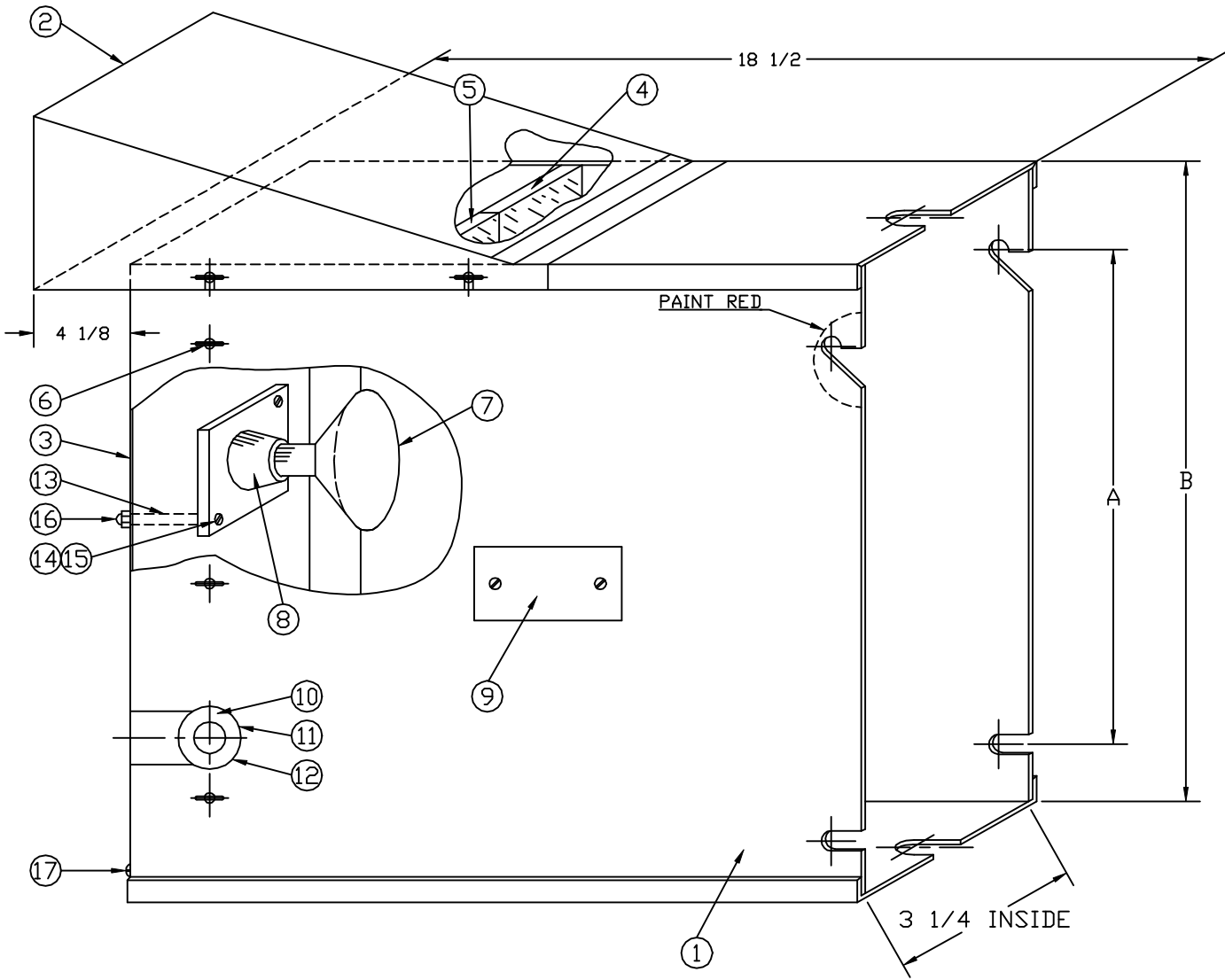


BILL OF MATERIAL

ITEM	PART NO.	QUAN.	DESCRIPTION	MAT'L	DWG.
1	PIW*-14	1	ILLUMINATOR HOUSING	S.S	B-9141
2	PI-2R	1	COVER, REMOVABLE	S.S	B-9137
3	PIW*-9	1	BACK, REMOVABLE	S.S	B-9141
4	PI*-8	1	GLASS STRIP, GREENTEMPERED	GLASS	B-9137
5	PI*-7	1	GLASS STRIP, RED	GLASS	B-9137
6	E11-7	10	WING SCREW, 10-24x1/2	STEEL	
7	PI-29	M	REFLECTOR LAMP		
8	GI40-23	M	LAMP SOCKET, LEVITON 9883	PORCELAIN	
9	PI-20	1	NAME PLATE	S.S	1-25-62
10	E30-15	1	CROUSE-HINDS CONN.		
11	GL53-10	1	1/2 LOCK NUT	STEEL	
12	PW-16	1	GASKET	MONEL	B-9135
13	PI-13	P	SPACER	STEATITE	PS-7014-A
14	X172941	Q	SCREW, RHM 10-24x1/2	S.S	
15	X172967	P	SCREW, RHM 10-24x1 1/4	S.S	
16	X172991	N	NUT, ACDRN 10-24	S.S	
17	X172976	1	GREEN GROUND SCREW	S.S	



WEATHERPROOF ILLUMINATOR

NOTE:

* TO COMPLETE PART NO. ADD NUMBER OF WINDOW UNITS ON CORRESPONDING SIMPLIPORT INSERT.

PART NO.	DIMENSION			QUANTITY			
	A	B	M	N	P	Q	
PIW5R	9 1/2	12 7/16	5	10	6	4	
PIW6R	11 7/8	14 13/16	6	12	6	6	
PIW7R	14 1/4	17 3/16	7	14	8	6	
PIW8R	16 5/8	19 9/16	8	16	8	8	
PIW9R	19	21 15/16	9	18	10	8	
PIW10R	21 3/8	24 5/16	10	22	12	10	

REV	DESCRIPTION	DATE	BY	SIG
8	REDRAW	6-24-92	DBC	

UNLESS OTHERWISE NOTED:
 TOLERANCES (1)
 DECIMAL & STOCK C.002
 FIN. FRACTIONAL (UP TO 1", NOT INCL.) C.010
 FIN. FRACTIONAL (1" INCL. UP TO 3") 1/64
 FIN. FRACTIONAL (3" INCL. UP TO 6") 1/32
 FIN. FRACTIONAL (6" INCL. UP TO 12") 1/16
 FIN. FRACTIONAL (12" & OVER) 1/8
 ANGLES 1:20 OR SMOOTHER
 MACHINE FINISH REMOVE BURRS AND SHARP EDGES

THE CLARK-RELIANCE CORP.
 STRONGSVILLE, OHIO

WEATHERPROOF ILLUMINATOR FOR SIMPLIPORT

MATERIAL
 DRAWN D. CLINE SCALE NONE
 CHKD. DATE 6-23-92
 DRAWING NO. **B-91 33** REV. **8**