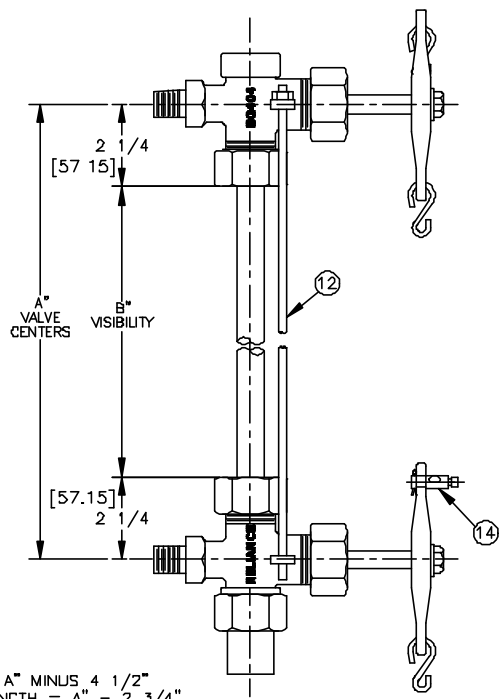
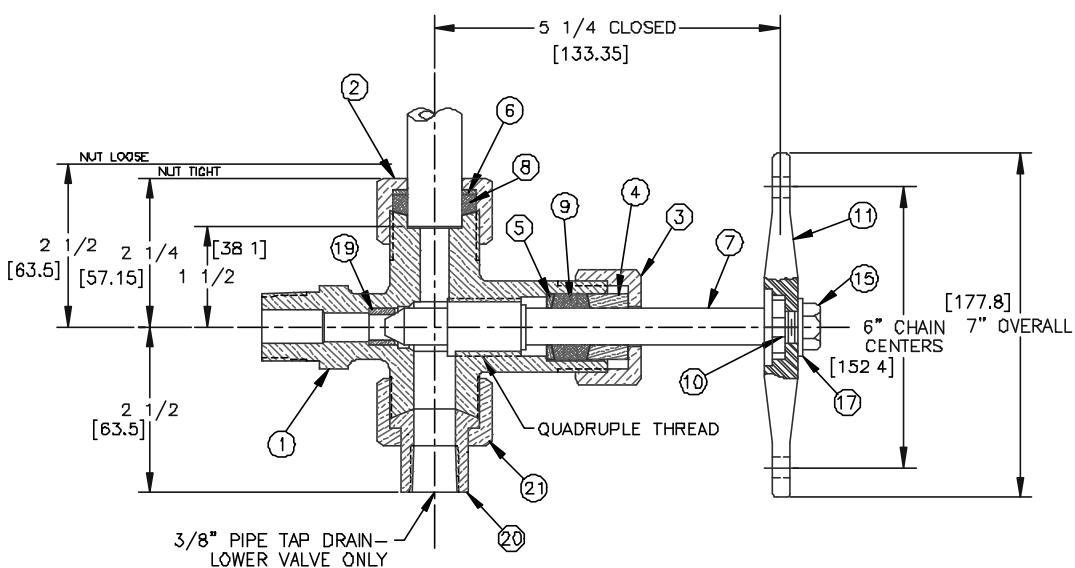


BILL OF MATERIAL - PER SET					
ITEM	PART NO.	QTY.	DESCRIPTION	MAT'L.	DWG. #
1	BG404R-1	1	LOWER VALVE BODY	SB-61	AB-19342
2	BG403R-2	2	GLASS PACKING NUT	BRASS	A-4710
3	BG403R-3	2	STEM PACKING NUT	BRASS	A-4710
4	BG403R-4	2	STEM PACKING GLAND	BRASS	A-4713
5	BG403R-5	2	STEM PACKING WASHER	BRASS	A-4713
6	SG454-10	2	GLASS PACKING WASHER	STEEL	A-4713
7	BG403RS-3B	2	VALVE STEM	303 STN STL	A-16154
8	BG403R-12	2	GLASS PACKING	CRANE 552K	BG7000-A
9	BG403R-9	6	STEM PACKING	SUPER SEAL #1	A-19585
10	BG403RS-1	2	SPROCKET	SINTERED IRON	A-7255
11	BG403RS-2	2	LEVERS - UPPER AND LOWER	MALL. IRON	A-7254
12	RGR ROD	2	GUARD RODS - LENGTH=VALVE CNTRS. + 1"	STEEL	SK3-4-57
13	RBG403R 17	10 FT.	CHAIN (2 - 5 FT. LENGTHS) - W/5" HOOKS	STEEL	---
14	BG403R-15	1	CHAIN FIXTURE	BRASS	A-3047
15	X172120	2	HEX HEAD CAP SCREW	STEEL	---
16	BG403R-18 & 19	1 SET	CHAIN HANDLES	ALUMINUM	A-6282
17	X174130	2	SHAKEPROOF LOCK WASHER	STEEL	---
18	BG404R-1A	1	UPPER VALVE BODY	SB-61	AB-19342
19	BG404R-4	2	VALVE STEM SEAT	303 STN STL	A-4713
20	BG404R-3	1	BLOWOFF PIECE NUT	BRASS	A-4714
21	BG404R-2	1	BLOWOFF PIECE	BRASS	A-4714



MAXIMUM STEAM PRESSURE WHEN USED WITH:  
 FLAT GLASS GAGE-----> 450 PSIG  
 STEEL PRISMATIC GAGE-----> 350 PSIG  
 CAST IRON PRISMATIC GAGE-> 250 PSIG  
 TUBULAR GLASS GAGE -----> 250 PSIG

DIMENSIONS IN INCHES  
 DIMENSIONS IN MILLIMETERS

B"=VISIBLE GLASS = A" MINUS 4 1/2"  
 GAGE GLASS OVERALL LENGTH = A" - 2 3/4"

REV.	DESCRIPTION	DATE	SIC.
12	MATERIAL CHANGES	5/15/97	DAC
11	REDRAWN - NO CHANGES	8-2-93	FAS
REV.	DESCRIPTION	DATE	SIC.
	REVISIONS		

UNLESS OTHERWISE NOTED  
 TOLERANCES (+)  
 DECIMAL & STOCK ( .002 )  
 FIN. FRACTIONAL (UP TO 1", NOT INCL.) ( .010 )  
 FIN. FRACTIONAL (1" INCL., UP TO 3") 1/64  
 FIN. FRACTIONAL (3" INCL., UP TO 6") 1/32  
 FIN. FRACTIONAL (6" INCL., UP TO 12") 1/16  
 FIN. FRACTIONAL (12" & OVER) 1/8  
 ANGLES 1"  
 MACHINE FINISH- 125√ OR SMOOTHER  
 REMOVE BURRS AND SHARP EDGES

THE CLARK-RELIANCE CORP.  
 STRONGSVILLE, OHIO

BG404RS HIGH PRESSURE  
 BRONZE WATER GAGE VALVE

MATERIAL	
DRAWN FAS	SCALE NONE
CHKD.	DATE 8-2-93
DRAWING NO.	REV.
B-4726	12