

SIMPLIPOINT® LED ILLUMINATOR AND VIEWING HOOD

for Bi-Color Water Gage Glass



- Eliminates Lamp Maintenance
- Eliminates Glass Color Strips
- Eliminates Lamp Heat
- Retrofits ANY Simpliport®



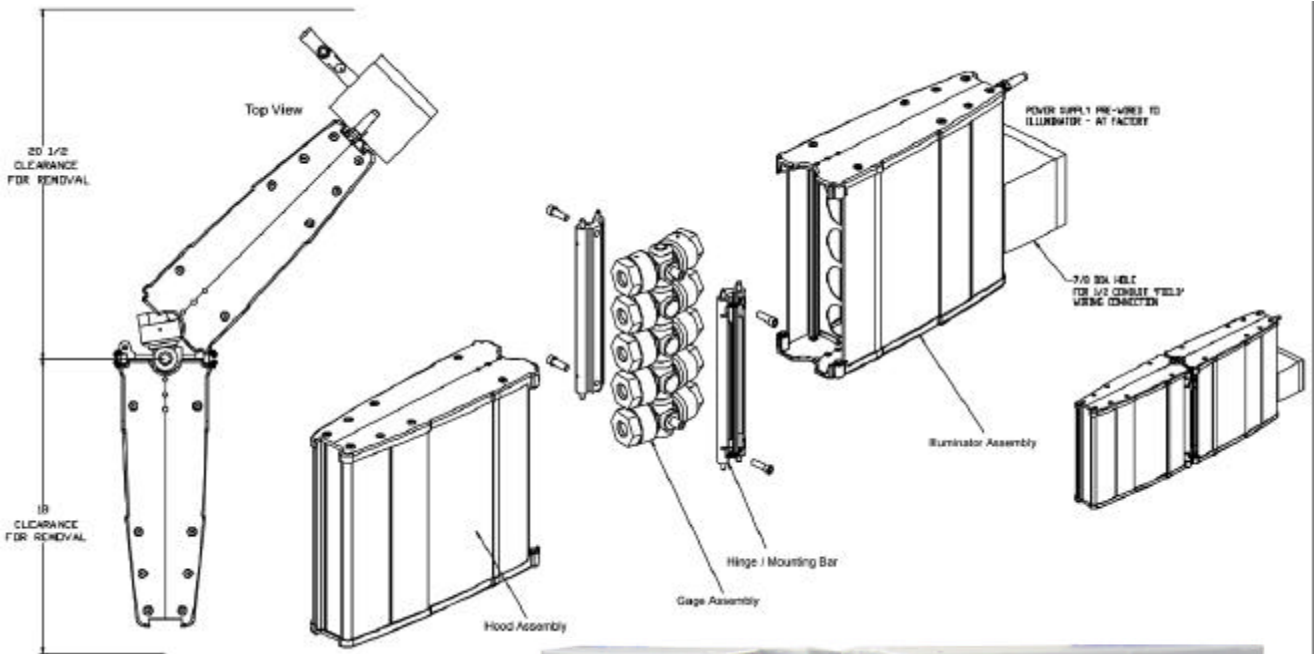
The new Simpliport LED Illuminators feature high-intensity long life red and green LED's, and eliminates the traditional red and green glass color strips. The service life of the LEDs is up to 10 years, which far exceeds any traditional incandescent or halogen lamps in previous models.

The illuminator and viewing hood have a modern appearance and are attached to the gage with spring-loaded fasteners, which enable them to pivot in either direction, without complete removal, in order to conduct maintenance on the Simpliport water gage glass. No tools are required to pivot the illuminator or hood. Simply, depress the two fastener pins on the side of the gage that you desire to access.

These illuminators and hoods are lightweight and have been designed to accept 120 or 240 VAC power sources, and will tolerate the environment of harsh boiler installations. The illuminator is available in weatherproof and explosionproof models. The viewing hood is also weatherproof. These new lighting and viewing hoods are designed to fit any new or existing Clark-Reliance Simpliport gage. The explosionproof models meet NEC hazardous area classification: Class 1 Division II, Group B, C, & D.

Illuminator Models

No. of Ports Gage	Weatherproof	Explosionproof	Viewing Hoods
5	SI5 LED	SI5 LED EX	SH5 LED
6	SI6 LED	SI6 LED EX	SH6 LED
7	SI7 LED	SI7 LED EX	SH7 LED
8	SI8 LED	SI8 LED EX	SH8 LED
9	SI9 LED	SI9 LED EX	SH9 LED
10	SI10 LED	SI10 LED EX	SH10 LED



Specifications

Power Supply: 120 or 240 VAC @ 50-60 Hz
 24V DC (500 mA)

Power Consumption: .10 Amp @ 120 VAC
 .10 Amp @ 240 VAC

Est. Life: Up to 10 years (continuous)

Agency Approvals:

Ratings: Class 1, Div 1, Grps. B, C, & D
 Class 2, Div 1, Grps. E, F, & G

Wire Size: Min 16 AWG / Max 12 AWG

Max dist. from power supply to light: 90' (27.5 M) Standard Cable = 8' (2.5M)

Ambient Temperature: -40 F (-40 C) to 170 F (77 C)



Illuminator Model Number	Length		Width		Height	
	Inches	MM	Inches	MM	Inches	MM
SI5-LED or SI5-LED-EX	18	457	5.64	143	12-1/2	318
SI6-LED or SI6-LED-EX	18	457	5.64	143	14-7/8	378
SI7-LED or SI7-LED-EX	18	457	5.64	143	17-1/4	438
SI8-LED or SI8-LED-EX	18	457	5.64	143	19-5/8	498
SI9-LED or SI9-LED-EX	18	457	5.64	143	22	559
SI10-LED or SI10-LED-EX	18	457	5.64	143	24-3/8	619



Viewing Hood Model Number	Length		Width		Height	
	Inches	MM	Inches	MM	Inches	MM
SH5-LED	14-1/2	368	5.64	143	12-1/2	318
SH6-LED	14-1/2	368	5.64	143	14-7/8	378
SH7-LED	14-1/2	368	5.64	143	17-1/4	438
SH8-LED	14-1/2	368	5.64	143	19-5/8	498
SH9-LED	14-1/2	368	5.64	143	22	559
SH10-LED	14-1/2	368	5.64	143	24-3/8	619



16633 Foltz Industrial Pkwy., Strongsville, OH 44149 USA
 Telephone: (440) 572-1500 Fax: (440) 238-8828
www.clark-reliance.com sales@clark-reliance.com