

# Clark•Reliance®

World Leader in Boiler Trim Instrumentation & Controls

Section: 500  
Bulletin: AB7.4  
Date: 7/08  
Supersedes: 3/06

## **DuraStar** Flat Glass LED Illuminator



The Most Dependable  
LED Illuminator for all  
**RELIANCE®**  
Flat Glass Level Gages

- **High Contrast**
- **Superior Visibility Day or Night**
- **Field Upgradable**
- **Maintenance Free**
- **Long Life ~100,000 hrs.**
- **No Heat Generation**
- **Versatile**  
- *Continuous or "On-Demand"*
- **Amber LED's for high intensity "star-like" image of the water line**
- **Longest Field-of-View**
- **Pays for itself in electricity savings alone!**
- **NO weather-proof illuminator hood used**
- **Models for Ordinary or Classified locations**

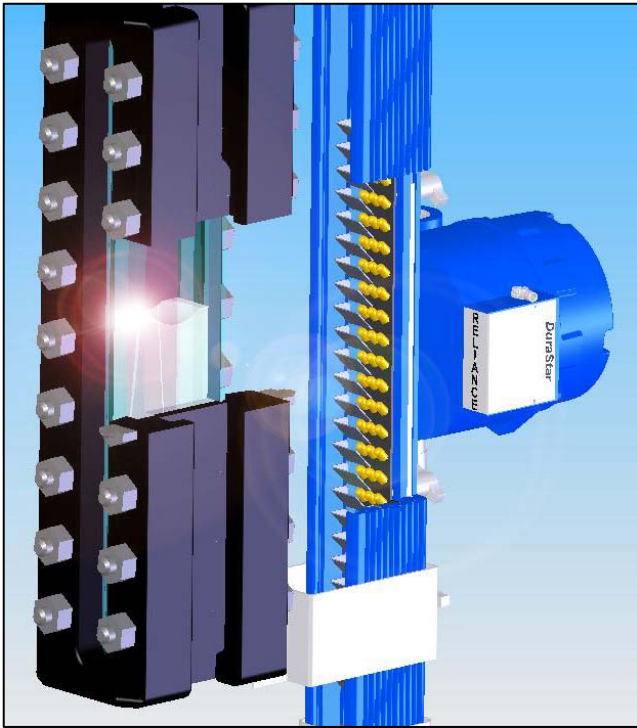
### SPECIFICATIONS

Power Supply:	120 or 240 VAC @ 50-60 Hz
Power Consumption:	< 750 mA @120 VAC < 375 mA @ 240 VAC
Est. Life:	100,000 Hours (continuous)
Agency Approvals:	FM, CE, CFM (Canadian Use) Class 1, Div I, Grps. B, C, & D Class II, Div I, Grps. E, F, & G
Wire Size:	Min 18 AWG / Max 12 AWG
Max Distance From Power Supply to Light Strip:	8 ft (2.5m)
Ambient Temperature:	-40 F (-40 C) to 170 F (77 C)
Electrical Connection:	¾" FNPT

Clark-Reliance® is pleased to announce the addition of the DuraStar to the world's largest selection of level indication and control products for the boiler industry. The DuraStar is approved for use in Class 1, Div 1, Group B, C & D environments. Contact your local representative or a Reliance Applications Engineer to configure a DuraStar for your transparent glass level gages.

**RELIANCE®** ....Quality, Safety and Performance.

# RELIANCE® *DuraStar* - Flat Glass Gage Illuminator



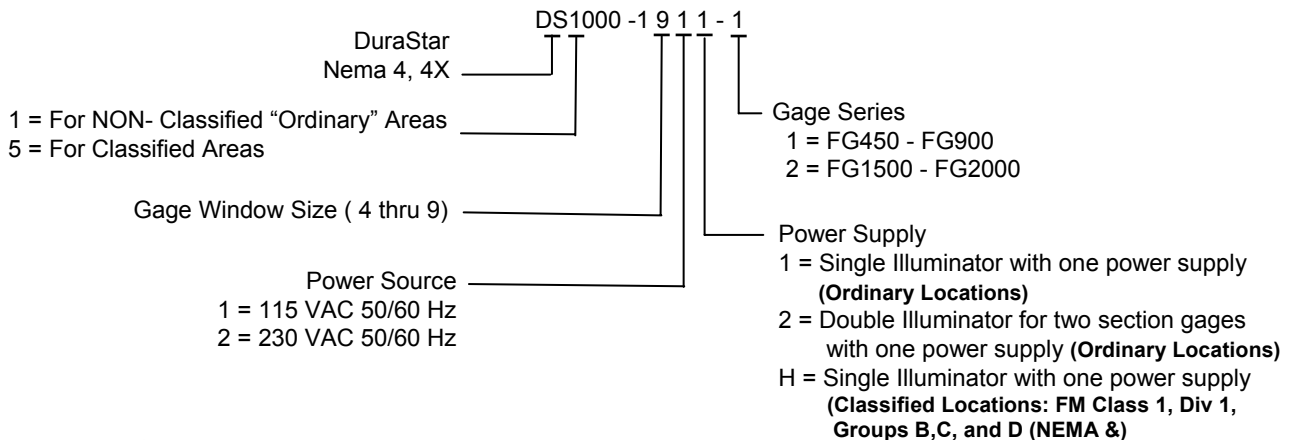
The DuraStar Illuminator uses three columns of “directed” amber color LED’s to create a brilliant star-like image at the water level. The DuraStar easily attaches to new or existing Reliance level gages without the use of tools.



Explosion Proof  
Power Supply  
Intrinsically Safe  
Lighting Circuit

DuraStar Model No.	Fits Gage Glass	Length (Inches)	Length (mm)	Wt (LB)
DS10001-4-1-1-1	FG404 or FG904	11.75	298	7.50
DS10001-5-1-1-1	FG405 or FG905	13.00	330	7.75
DS10001-6-1-1-1	FG406 or FG906	14.50	368	8.00
DS10001-7-1-1-1	FG407 or FG907	15.75	400	8.25
DS10001-8-1-1-1	FG408 or FG908	17.25	438	8.50
DS10001-9-1-1-1	FG409 or FG909	18.00	457	8.75
DS10001-4-1-1-2	FG1504 or FG2004	13.00	330	7.75
DS10001-5-1-1-2	FG1505 or FG2005	14.50	368	8.00
DS10001-6-1-1-2	FG1506 or FG2006	15.75	400	8.25
DS10001-7-1-1-2	FG1507 or FG2007	16.50	419	8.50
DS10001-8-1-1-2	FG1508	18.00	457	8.75
DS10001-9-1-1-2	FG1509	19.00	483	9.00

## To Specify a DuraStar LED Illuminator on a RELIANCE® FG Series Water Gage Glass:



### Notes:

- For gages with three or more sections, combine single and double illuminators to minimize power supply requirements.
- For remote mounting of power supply, specify Part No. V20602 for a 6.5' power cable extension.



16633 Foltz Pkwy., Strongsville, OH 44149 USA  
Telephone: (440) 572-1500 Fax: (440) 238-8828  
www.clark-reliance.com sales@clark-reliance.com