

# GAGE COCKS (TRYCOCKS)

THREE STYLES • MAXIMUM PRESSURES 150 PSI TO 1500 PSI

## BRONZE BODY, CHAIN OPERATED GAGE COCKS: PRESSURES TO 450 PSI

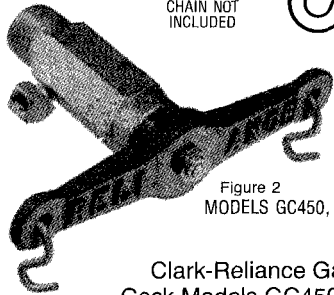
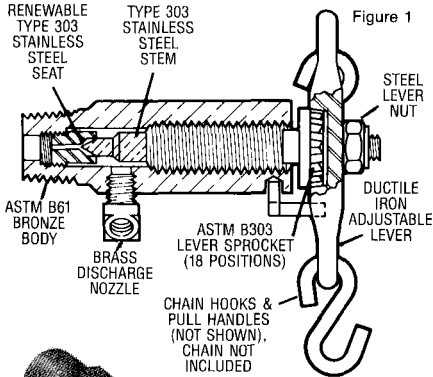
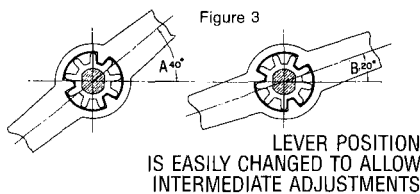


Figure 2  
MODELS GC450, GC451

Clark-Reliance Gage Cock Models GC450 and GC451 feature a stainless steel stem and seat component to assure positive seating and long service life. Integral stem discs are precision-machined to glass smooth finishes.

- Available In  $\frac{1}{2}$ " NPT And  $\frac{3}{4}$ " NPT Models
- Pull Left Hand Chain To Open, Right Hand Chain To Close
- Multiple-Thread Stem Design Provides Fast Response
- Integral "Stop" Prevents Dead-Center Vertical Lever Position
- Discharge Nozzle Directs Steam/Water Away From Operator

## 18-Position Lever



Eighteen positive, non-slip lever positions offer a correct lever angle regardless of the stem's position when turned tight. Geared sprockets fit onto flat-sided stem ends. Lever gears nest securely into sprocket gears. Stem nut secures the lever.

## STAINLESS STEEL, CHAIN OPERATED GAGE COCKS: PRESSURES TO 1500 PSI

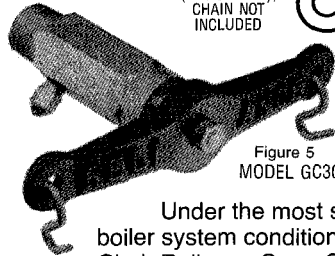
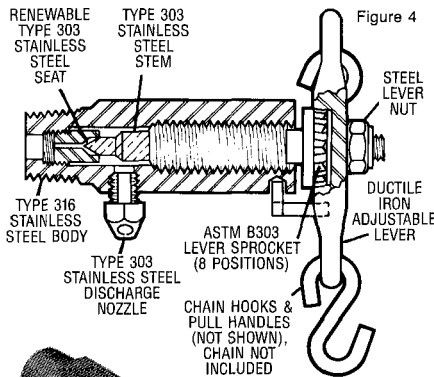


Figure 5  
MODEL GC302

Under the most severe boiler system conditions, Clark-Reliance Gage Cock Model GC302 dependably resists the damaging cutting action of steam and water. Reliability and long service life are the results of quality materials, precision manufacturing and 150% hydrostatic testing of each unit.

- Available In  $\frac{3}{4}$ " NPT Model Only
- Pull Left Hand Chain To Open, Right Hand To Close
- Integral "Stop" Prevents Dead-Center Vertical Lever Position
- Stainless Steel Seat Is Precision-Machined In An Exclusive Clark-Reliance Process
- Seat Is Sealed Tight In The Shank With  $\frac{1}{8}$ " Pipe Thread – Easily Renewable
- Multiple Thread Stem Opens/Closes In  $\frac{1}{4}$  Turn And Can Not Unscrew Under Pressure
- Discharge Nozzle Directs Steam/Water Away From Operator

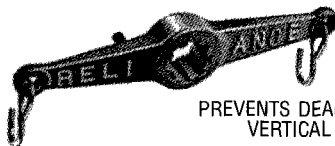


Figure 6

"STOP" PREVENTS DEAD-CENTER VERTICAL POSITION

The multi-slotted operating lever allows a wide choice of open/closed positions. Each lever position is held in a non-slip design of nesting sprocket and lever gears, secured by a stem nut.

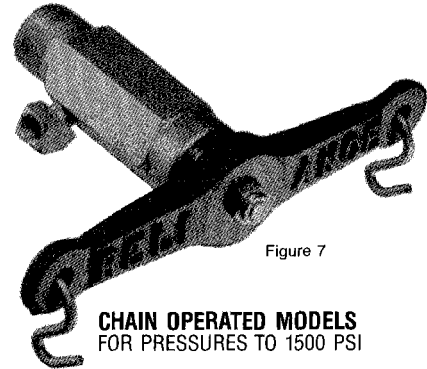


Figure 7

CHAIN OPERATED MODELS FOR PRESSURES TO 1500 PSI

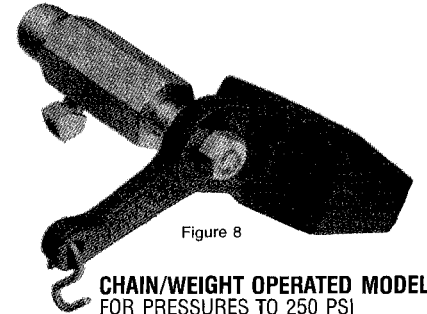


Figure 8

CHAIN/WEIGHT OPERATED MODELS FOR PRESSURES TO 250 PSI

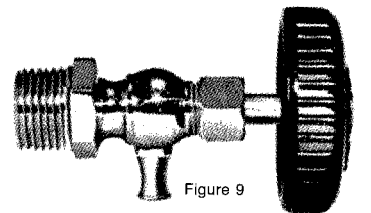


Figure 9

HAND WHEEL OPERATED MODELS FOR PRESSURES TO 150 PSI AT FLOOR LEVEL LOCATIONS

## BRONZE BODY, CHAIN & WEIGHT OPERATED GAGE COCKS FOR MAXIMUM PRESSURES TO 250 PSI

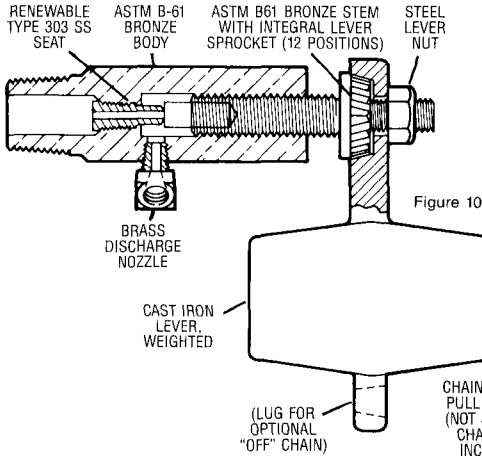
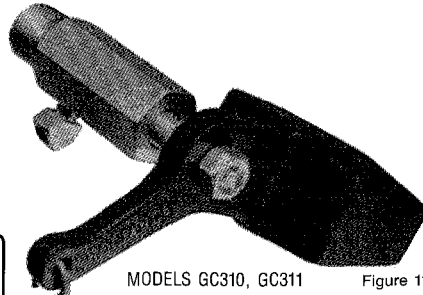


Figure 10



RUSTPROOF, LIGHTWEIGHT STEEL CHAIN IS RECOMMENDED. TOTAL CHAIN WEIGHT MUST NOT ALLOW GAGE COCK TO OPEN.

CHAIN HOOK & PULL HANDLE (NOT SHOWN), CHAIN NOT INCLUDED

The Clark-Reliance weighted gage cock is a high performance self-closing unit that provides leak-proof operation at moderate pressures.

- Available In 1/2" NPT And 3/4" NPT Models
- Pull Chain To Open, Release Chain To Close
- Precise Weight Distribution For Tight Shut-Off

- Twelve-Position Weight Lever Allows Best Location
- Weight Lug Allows For Use Of Optional Shut-Off Chain
- Accepts Maximum "Open" Chain Length Of 25-Feet (Unless "Open" Chain Is Also Attached To "Closed" Weight Lug)
- Discharge Nozzle Directs Steam/Water Away From Operator

### CLARK-RELIANCE GAGE COCKS • MODEL SELECTION GUIDE

MODEL	SIZE NPT	OPERATION	MAX PRESSURE	FIGURE NO.
GC302	3/4"	Chain Lever	1500 PSI	4, 5
GC450	1/2"	Chain Lever	450 PSI	1, 2, 7
GC451	3/4"	Chain Lever	450 PSI	1, 2, 7
GC310	1/2"	Chain/Weight	250 PSI	8, 10, 11
GC311	3/4"	Chain/Weight	250 PSI	8, 10, 11
GC306	1/2"	Hand Wheel	150 PSI	9, 12, 13
GC307	3/4"	Hand Wheel	150 PSI	9, 12, 13

## BRASS BODY, HAND OPERATED GAGE COCKS FOR MAXIMUM PRESSURES TO 150 PSI AT FLOOR LEVEL LOCATIONS

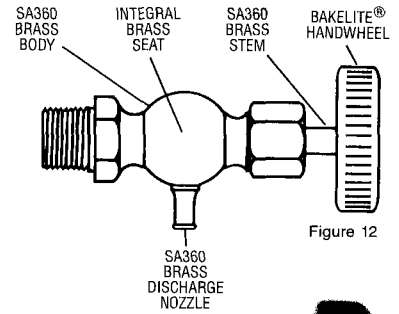
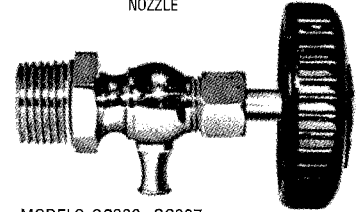


Figure 12



MODELS GC306, GC307

The Clark-Reliance Hand Wheel Gage Cock is designed specifically for floor level columns in low pressure systems. Time-tested design and manufacturing assure dependable performance. Available in 1/2" NPT and 3/4" NPT models.

## SPECIFY GENUINE CLARK-RELIANCE REPLACEMENT PARTS

Rely on only genuine Clark-Reliance replacement parts, furnished from the same stocks from which your original gage cock was factory assembled. Replacement parts are illustrated in our Instruction Manual, or contact your nearest Clark-Reliance representative for information.

For additional information, contact your local Clark-Reliance representative

# Clark-Reliance

16633 FOLTZ INDUSTRIAL PARKWAY • STRONGSVILLE, OHIO 44136 • USA  
TELEPHONE +1-440-572-1500 FAX +1-440-238-8828

NOTE: Clark-Reliance shall not be liable for damages of any kind resulting in part from failure to install its products in accordance with all applicable codes and/or state and local regulations, improper application and/or maintenance.

