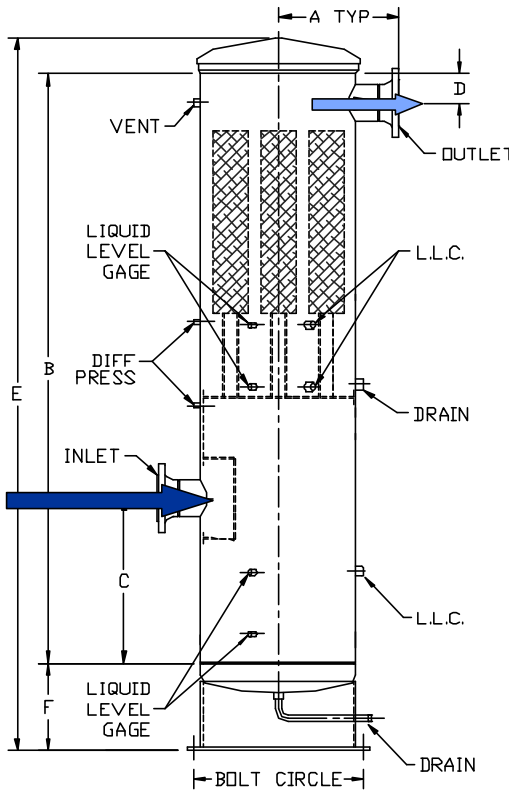


FILE NO.: A400-22.DWG
 DRAWN: DEP CHECKED: KES
 SCALE: NONE DATE: 08/09/96

ANDERSON™ SEPARATOR Co.
 DIVISION OF
 THE CLARK • RELIANCE® CORP.
 16633 FOLTZ INDUSTRIAL PKWY.
 STRONGSVILLE, OHIO 44136 U.S.A. (440)-572-1500

MODEL ACF
 COALESCING FILTER

Section: A400
 Bulletin: A400.22
 Date: 8/12/96
 Supersedes: NEW



MODEL ACF-	VESSEL DIAMETER	INLET/OUTLET	A				B	C	D	E	F	BOLT CIRCLE	BOLT HOLES
			150#	300#	600#	900#							
2-6	6-5/8" OD	2"	9	9	9	11	108	30	5	130	16	9-1/8	4@7/8"
2-8	8-5/8" OD	2"	10	10	10	12	108	30	5	132	16	11-1/8	4@7/8"
3-10	10-3/4" OD	3"	11	11	13	13	110	31	6	137	17	13-1/4	4@7/8"
3-12	12-3/4" OD	3"	12	12	14	14	110	31	6	138	17	15-1/4	4@7/8"
4-14	14" OD	4"	13	15	15	15	112	31	6	141	18	16-1/2	4@7/8"
4-16	16" OD	4"	14	16	16	16	112	31	6	141	18	18-1/2	4@7/8"
4-18	18" OD	4"	15	17	17	17	112	31	6	144	19	20-1/2	4@7/8"
4-20	20" OD	4"	16	18	18	18	118	31	6	150	19	22-1/2	4@7/8"
6-24	24" OD	6"	20	20	20	22	122	32	7	157	20	26-1/2	4@7/8"
6-26	26" ID	6"	21	21	21	23	122	32	7	159	21	28-1/2	4@7/8"
8-30	30" ID	8"	23	23	25	25	126	33	8	165	22	32-1/2	4@7/8"
8-32	32" ID	8"	24	24	26	26	126	33	8	166	22	34-1/2	4@7/8"
8-34	34" ID	8"	25	25	27	27	126	33	8	168	23	36-1/2	4@7/8"
8-36	36" ID	8"	26	26	28	28	126	33	8	170	23	38-1/2	4@7/8"
10-39	39" ID	10"	28	28	30	32	148	40	9	191	24	41-1/2	4@7/8"
10-42	42" ID	10"	29	29	31	33	148	40	9	195	25	44-1/2	4@7/8"
10-45	45" ID	10"	31	31	33	35	148	40	9	195	25	47-1/2	4@7/8"
12-48	48" ID	12"	32	32	34	36	152	41	10	200	26	50-1/2	8@7/8"
12-54	54" ID	12"	35	35	37	39	152	41	10	202	28	56-1/2	8@7/8"
14-60	60" ID	14"	38	40	40	44	162	42	11	221	29	62-1/2	8@7/8"
16-66	66" ID	16"	41	43	43	47	166	43	12	229	31	68-1/2	8@7/8"
18-72	72" ID	18"	46	46	48	50	170	44	13	234	32	74-1/2	8@7/8"
20-78	78" ID	20"	49	49	51	53	174	45	14	244	34	80-1/2	8@7/8"

STANDARD MATERIALS

HEADS	SA-516-70
SHELL	SA-106-B/C / SA-516-70
FLANGES	SA-105
FITTINGS	SA-105
PIPE	SA-106-B/C
SUPPORTS	SA-36 / SA-285
CLOSURE	CARBON STEEL

AVAILABLE CONNECTIONS

DRAIN: _____ VENT: _____
 GAGE CLASS: _____ L.L.C.: _____
 INSPECTION: _____
 OTHERS: _____

A.S.M.E. CODE STAMPS

- NOTES:
- DESIGNED, FABRICATED AND STAMPED IN ACCORDANCE WITH ASME CODE SECTION VII, DIVISION I.
 - SPECIAL MATERIALS, CONFIGURATIONS, AND HIGHER DESIGN PRESSURES AVAILABLE UPON REQUEST
 - OPTIONAL INLET SEPARATION ELEMENTS AVAILABLE FOR IMPROVED PRELIMINARY SOLIDS SEPARATION
 - DIMENSIONS ARE IN INCHES
 - DIMENSION ARE NOT TO BE USED FOR CONSTRUCTION

